

20x20 LIGHTBOX rental kit to include:

Hardwall store room with locking door

(3) lightbox ceiling panels

(2) 16' tall ID Signs

(1) INWALL monitor mount

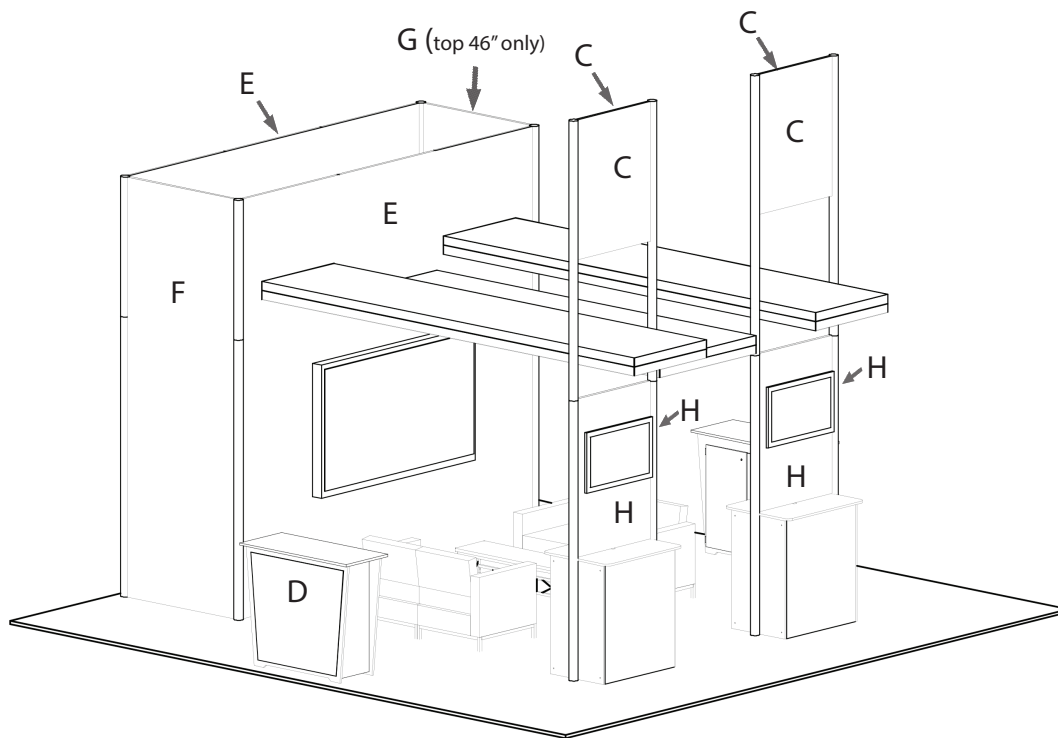
(2) Double Sided 36" Box" workstation with black laminate top and built in monitor mount

(2) Locking standalone counter, 46"w x 20"d black laminate top

CHOICE of black, white, or gray sintra provided standard for all solid infill walls that do not have graphics, unless described otherwise

*White laminate is standard for wall counter sides and standalone counter front and sides

Consult your account rep for options. Additional elements, merchandising and graphics are available



GRAPHICS PACKAGE A TO INCLUDE

A. - (1) 46" w x 138" h backlit fabric graphic required (underside of center ceiling panel)

B. - (2) 34.5" w x 161" h backlit fabric graphic required (underside of left and right ceiling panels)

C. - (4) 34.5" w x 46" h Sintra Graphic

D. - (2) 40" w x 35" h Counter Graphic

GRAPHICS PACKAGE B TO INCLUDE

Package A, Plus

E. - (2) 138" x 138" Sintra Graphics

F. - (1) 46" w x 138" h Sintra Graphic

G. - (1) 46" w x 46" h Sintra Graphic

H. - (4) 34.5" w x 92" h Sintra Graphic (Workstation wall)

KIT PACKAGE PRICING DOES NOT INCLUDE chairs, benches, tables, computers, monitors/cables, and carpet. Additional elements, merchandising and graphics are available through your account representative.

Please follow our graphic file submission guidelines for all printed elements to avoid resubmission requests and delay. Allow at least 10 business days for graphic production.