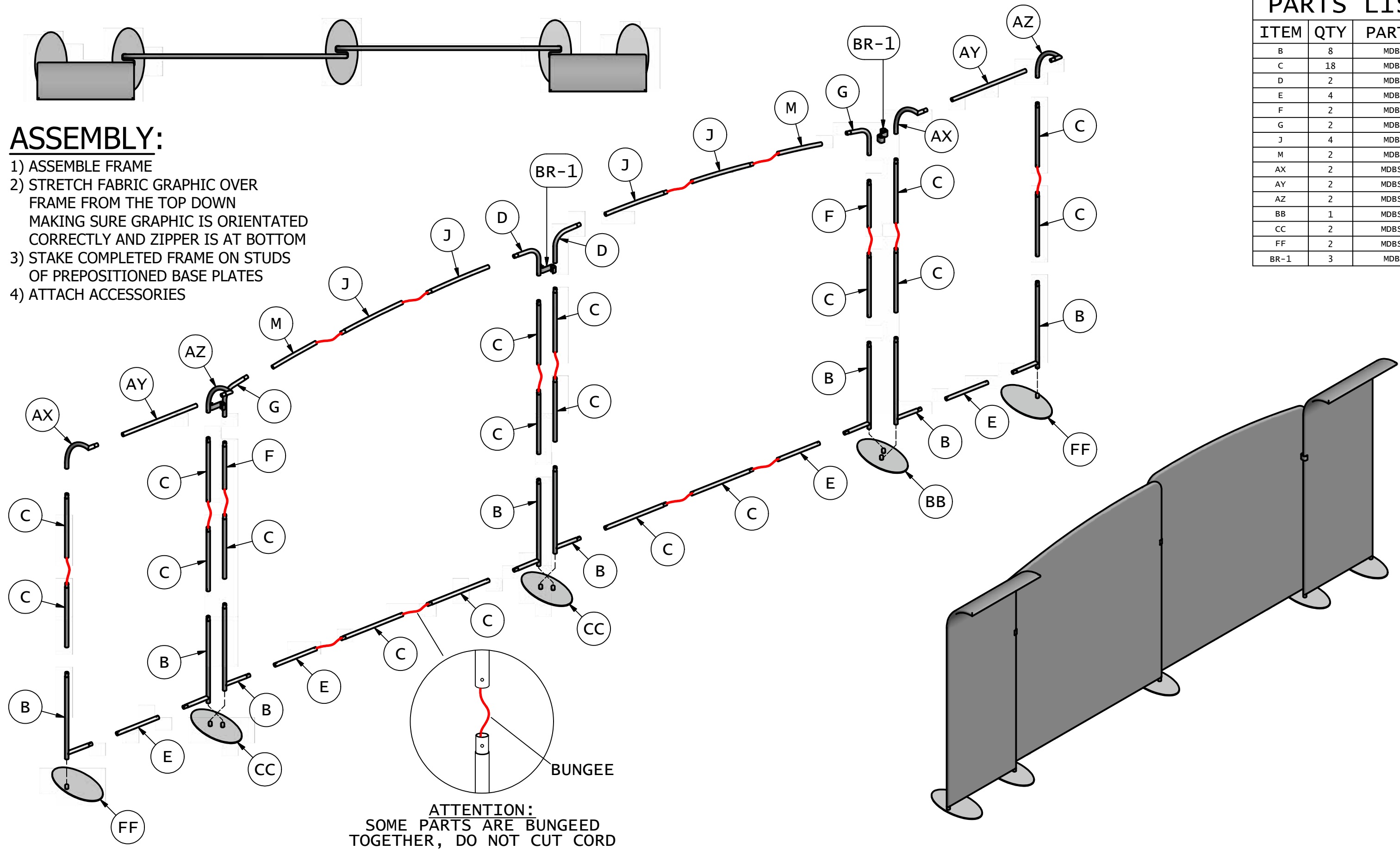


PARTS LIST		
ITEM	QTY	PART #
B	8	MDBSB
C	18	MDBSC
D	2	MDBSD
E	4	MDBSE
F	2	MDBSF
G	2	MDBSG
J	4	MDBSJ
M	2	MDBSM
AX	2	MDBSAX
AY	2	MDBSAY
AZ	2	MDBSAZ
BB	1	MDBSBB
CC	2	MDBSCC
FF	2	MDBSFF
BR-1	3	MDBAB

### ASSEMBLY:

- 1) ASSEMBLE FRAME
- 2) STRETCH FABRIC GRAPHIC OVER FRAME FROM THE TOP DOWN MAKING SURE GRAPHIC IS ORIENTATED CORRECTLY AND ZIPPER IS AT BOTTOM
- 3) STAKE COMPLETED FRAME ON STUDS OF PREPOSITIONED BASE PLATES
- 4) ATTACH ACCESSORIES



**ATTENTION:**  
SOME PARTS ARE BUNGEEED TOGETHER, DO NOT CUT CORD