

ENDURATeX™

Assembly Instructions



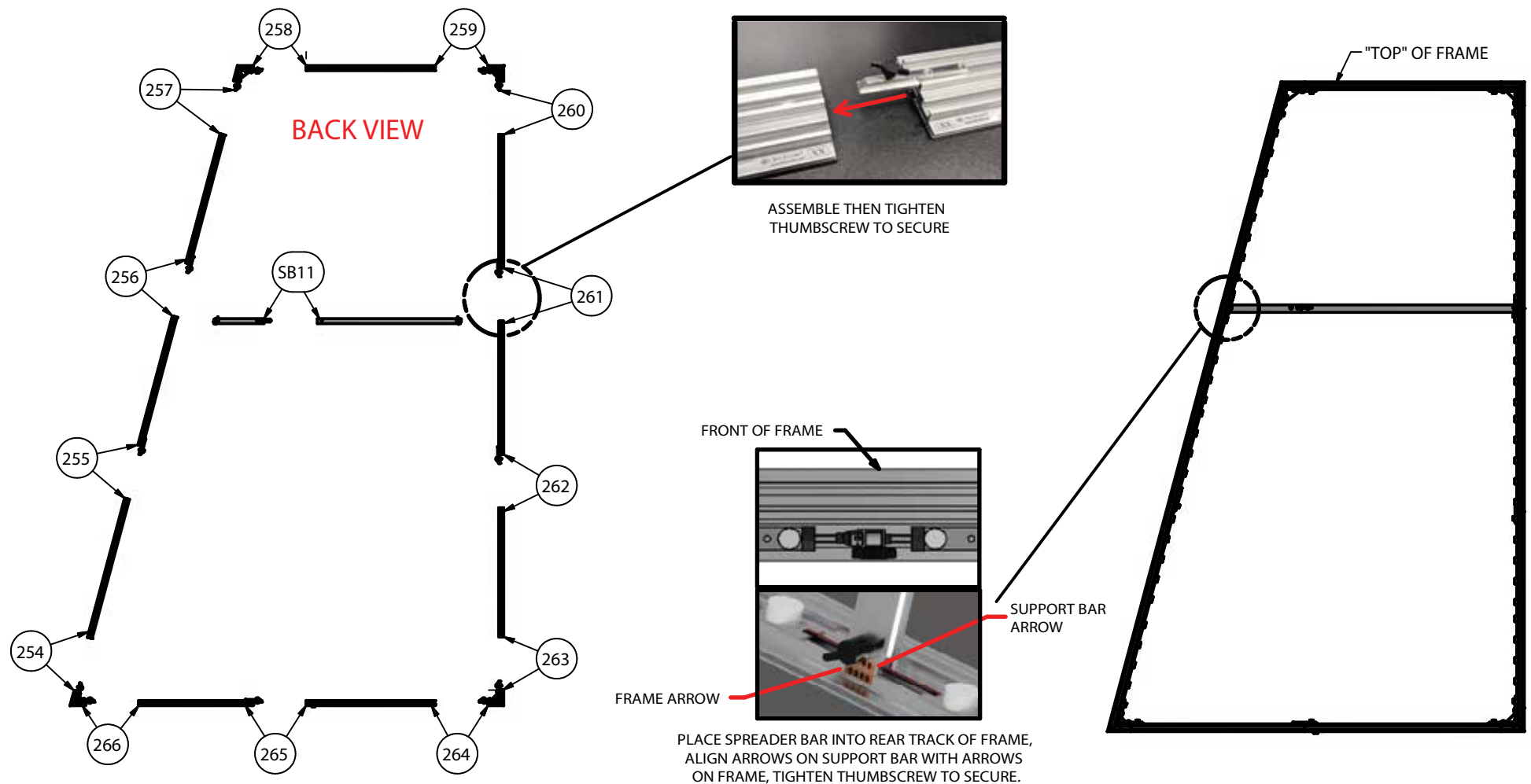
Assembly Instructions:

Custom FabLite Display

Assemble the frames as shown below.

1) Assemble the frame by connecting the pieces with matching numbers. Each piece slides into the track of the next piece. Tighten the thumb screws to secure into place.

2) Place spreader bar into rear track of the frame. Align the arrows on the support bar with arrows on the frame. Tighten the thumb screws to secure in place.

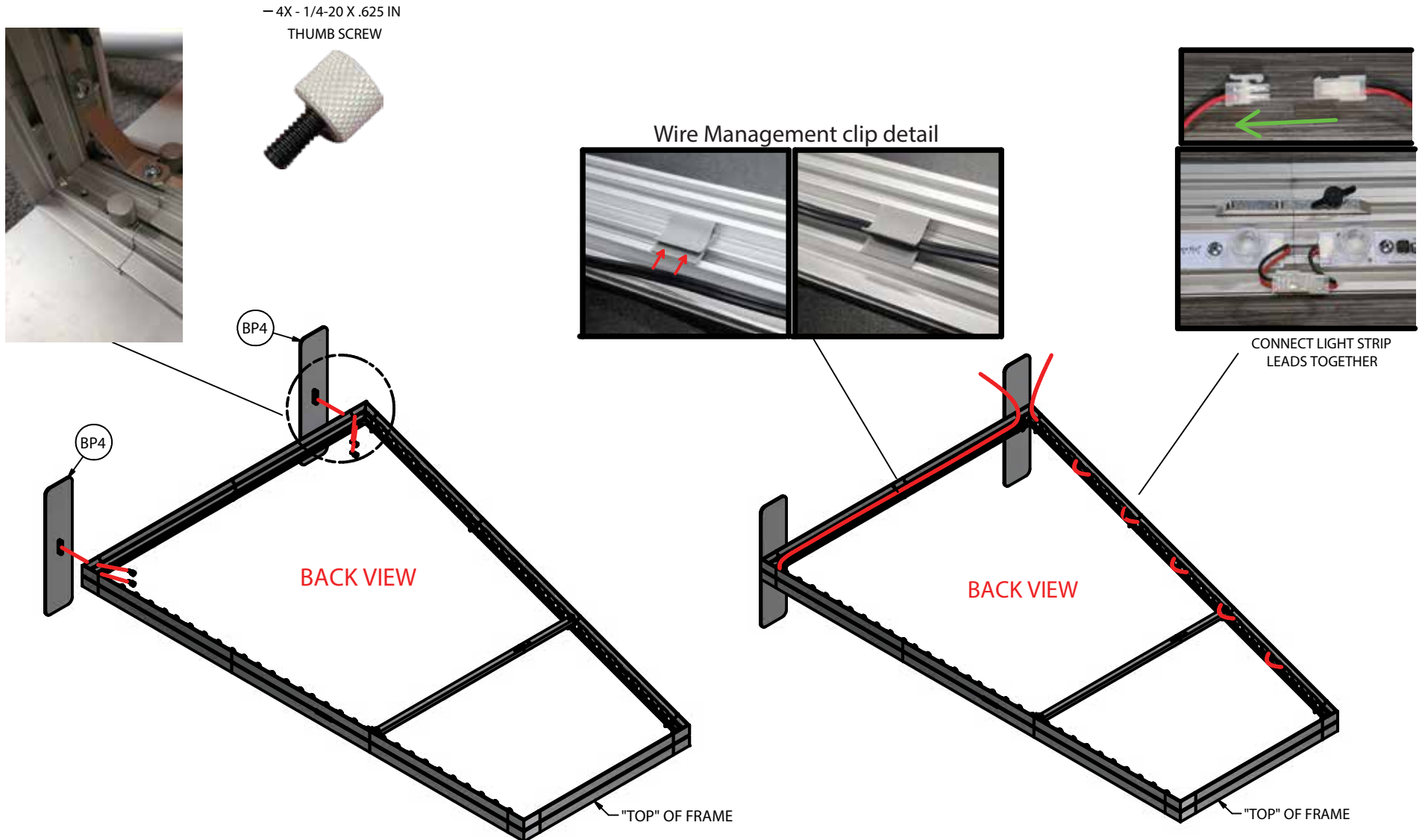


Assembly Instructions:

Custom FabLite Display

Attach the Base plates and LED Lights to the Frame.

- 1) Raise the bottom of the frame and install the baseplate by inserting them into the slot on the bottom of the frame. Secure them into place using the thumbscrew provided.
- 2) Connect the LED's between the light strips and run the wires through the sides of the frame using the wire management clips.

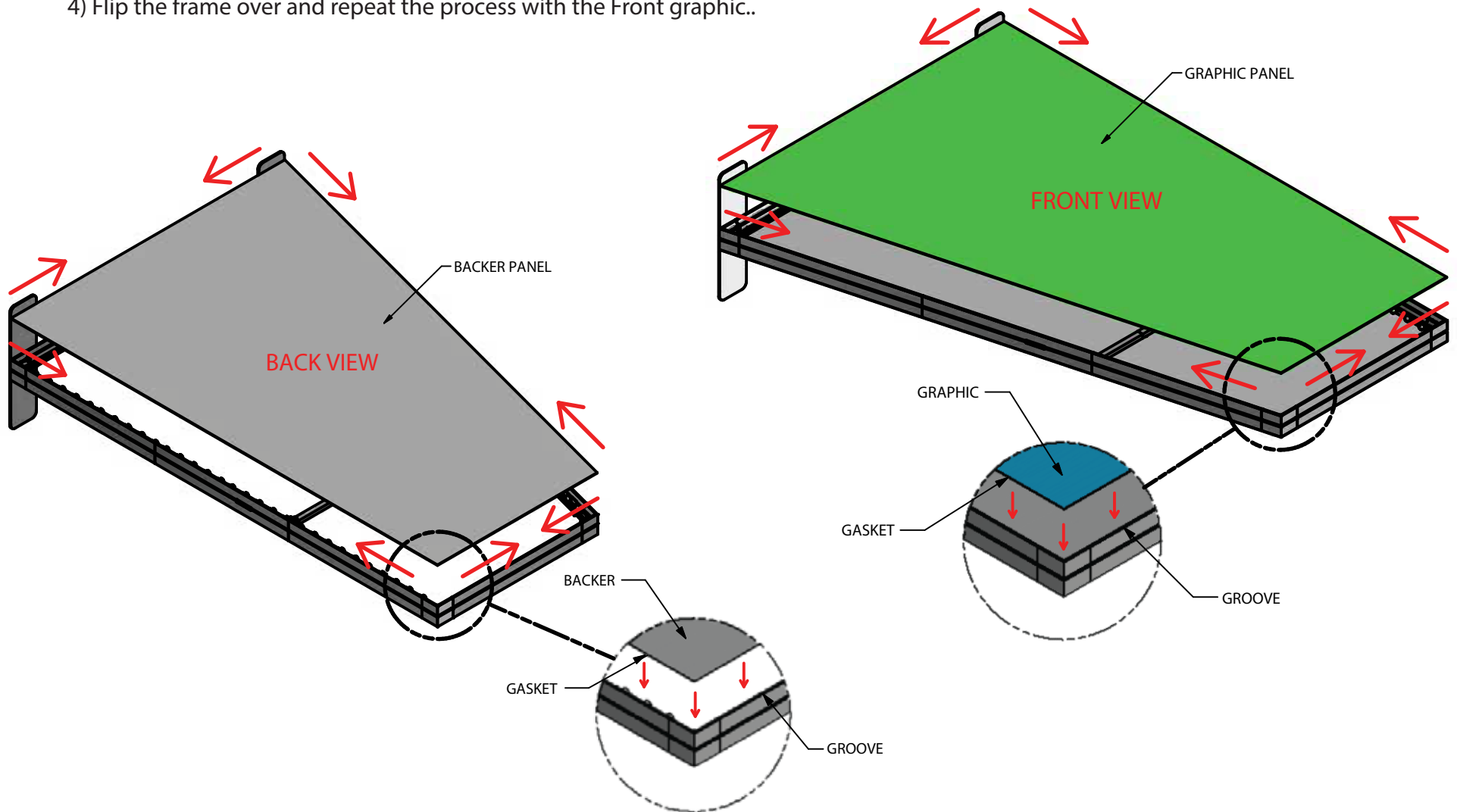


Assembly Instructions:

Custom FabLite Display

Install the Fabric Backer And Fabric Graphic to the Frame.

- 1) Lay the backer panel over the back of the frame. Push the gaskets into the frame grooves starting at the corners.
- 2) Push the gasket into the frame groove at the top and bottom.
- 3) Push the gasket into the frame groove on the sides last.
- 4) Flip the frame over and repeat the process with the Front graphic..



Assembly Instructions:

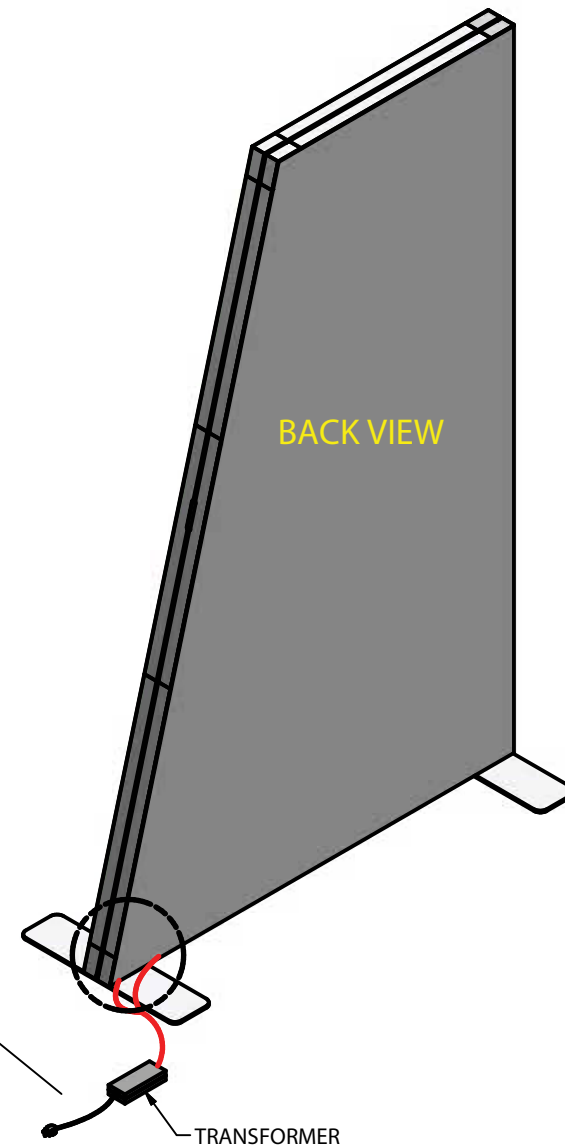
Custom FabLite Display

Connect the Power Supply to the LED's.

1) Feed the LED power cord through the hole in the backer panel and connect it to the power supply.



View of Light connection

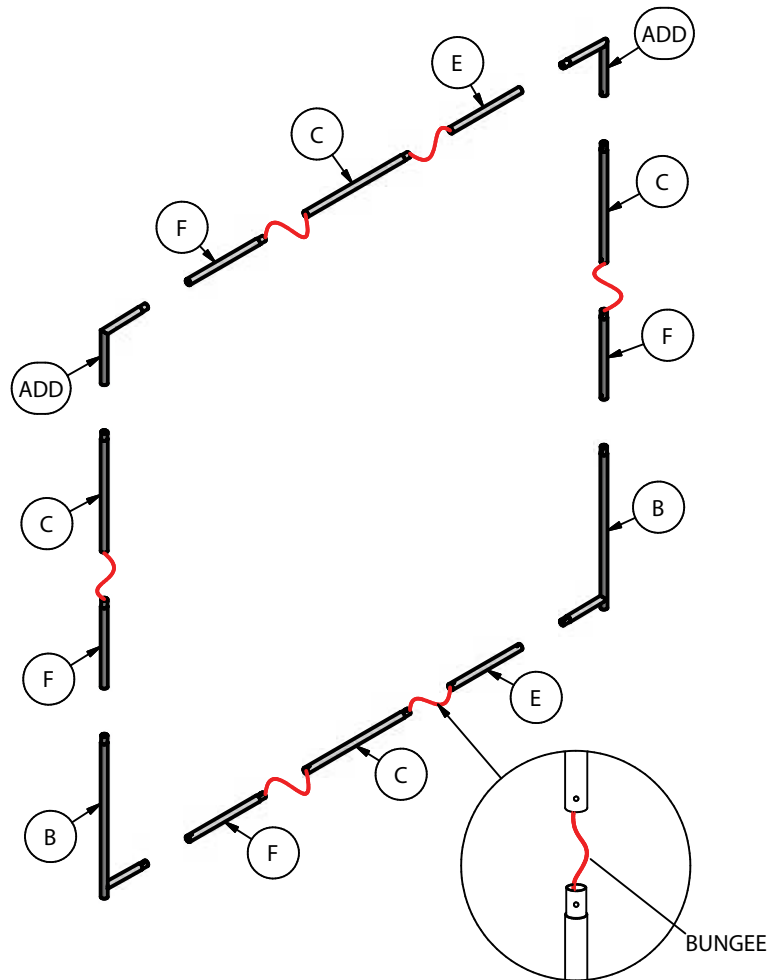


Assembly Instructions:

Custom FabLite Display

Assemble the side wing Frame.

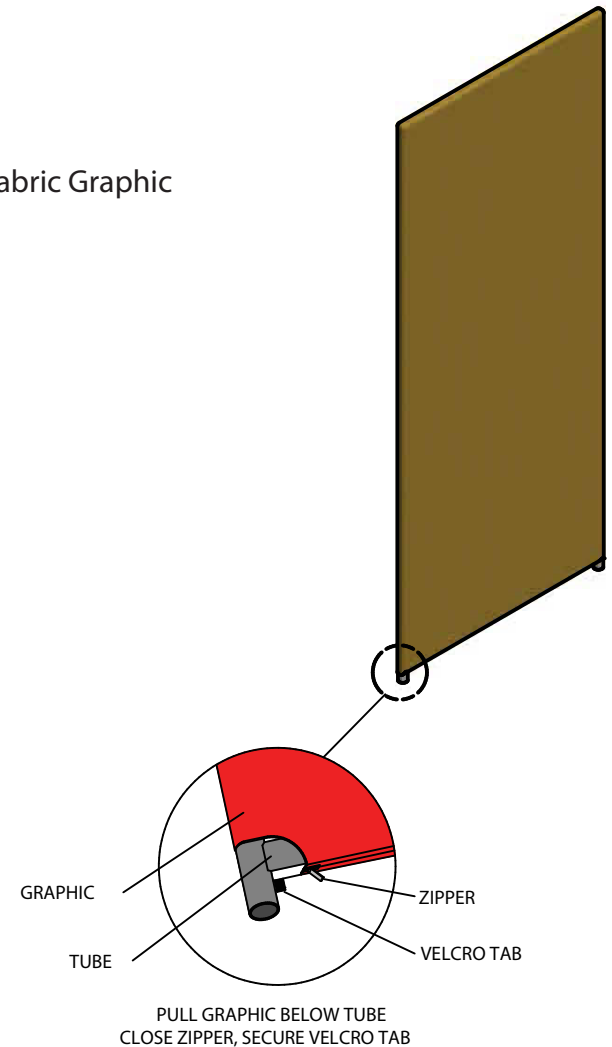
When the frame is assembled. Place the Fabric Graphic over the frame and Secure them using the Zippers at the bottom of the print.



ATTENTION:
SOME PARTS ARE BUNGEE
TOGETHER, DO NOT CUT CORD



Fabric Graphic



Assembly Instructions:

Custom FabLite Display

Finish the assembly of the back wall.

1) Connect the Completed frame to the baseplate.

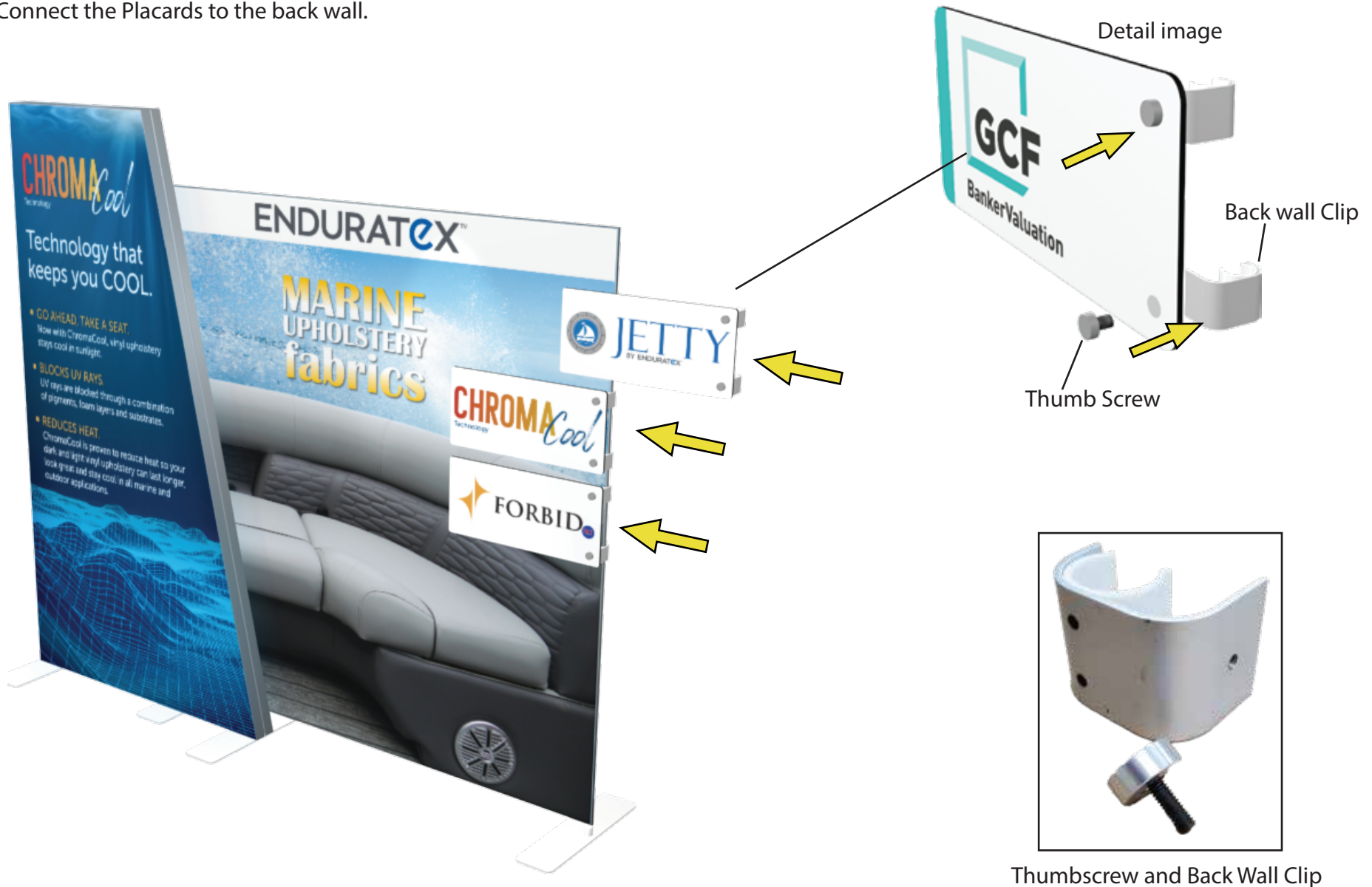


Assembly Instructions:

Custom FabLite Display

Connect the Desired Placards To the Side wall.

- 1) Thread the Thumb screws through the Placards into the back wall Clips.
- 2) Connect the Placards to the back wall.



Assembly Instructions:

Custom FabLite Display

Finish the assembly of the back wall.

- 1) Connect the Monitor Mount to the S Clip to make the S clip Monitor Mount.
- 2) Lock the frames together using the S-Clip /Monitor Mount frame connectors.
- 3) Attach the monitor to the mount.



S-Clip Monitor Mount

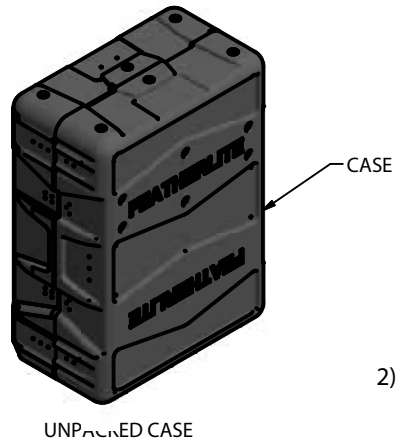


Assembly Instructions:

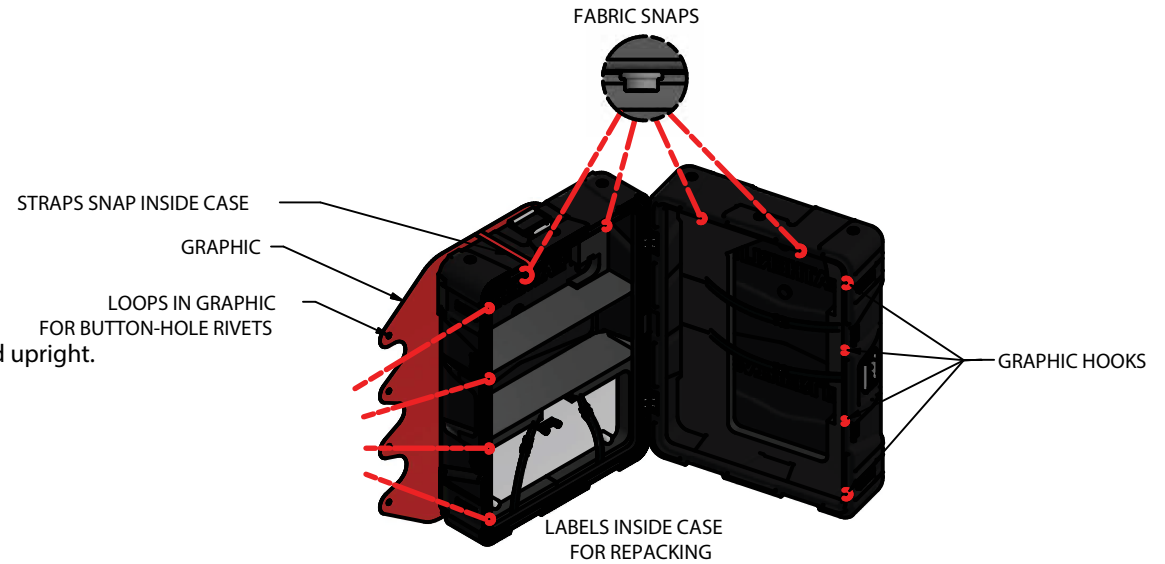
Custom FabLite Display

Assemble the Counter from the carrying cases as shown below.

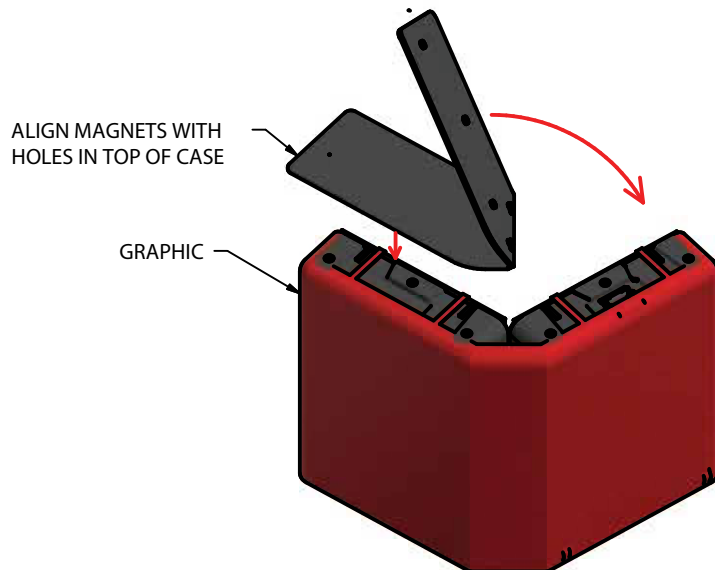
1) Open the case and unpack the content.



2) With the case still open, stand upright.



5) Place the counter top on the case, aligning the magnets with the whole on top of the case it will snap into place. Unfold the counter top to secure the other side.



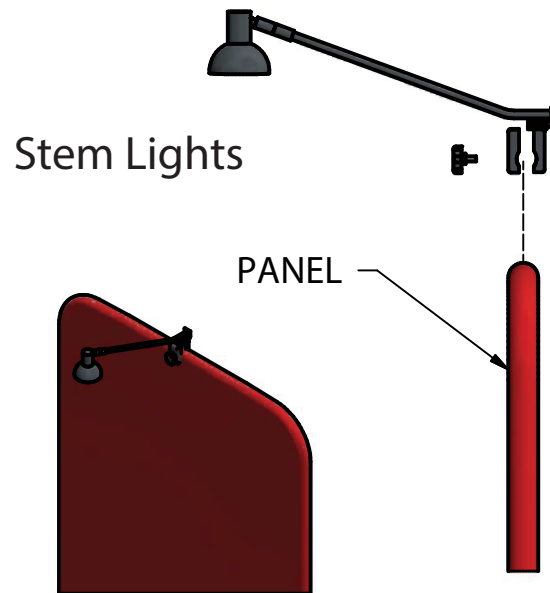
COMPLETED UNIT



Assembly Instructions:

Custom FabLite Display

Install The Stem Lights as shown below.



ATTACHMENT:
LIGHT CLAMPS ONTO DISPLAY BY
TIGHTENING THUMBSCREW



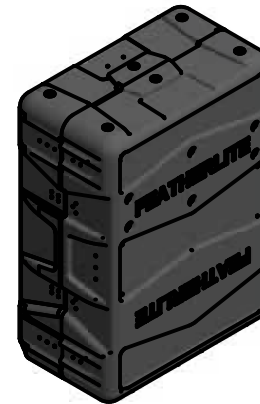
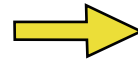
L

Assembly Instructions:

Custom FabLite Display

Case Layout

Pack the booth components for the 10'x10' Booth in the case in the following manner:



View showing Typical Shipping Cases

Case 1



Booth Components

- 1) Back lit Section Aluminum Extrusions
- 2) Counter/Case Components
- 3) Graphics
- 4) LED Lights
- 5) Drop Cloth kit
- 6) Power supply/cords
- 7) Banner wall
- 8) Stem Lights