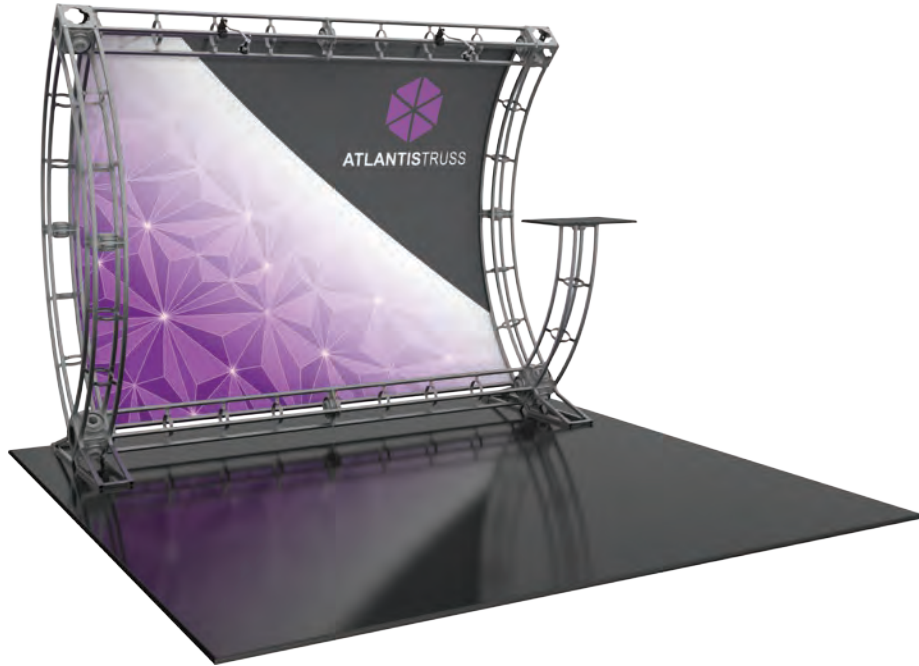


OT10-11 Atlantis

OT10-11

The Planetary line of Orbital Truss features over 40 professionally designed "off-the-shelf" kits for a variety of booth sizes and configurations. Each kit comes complete with all the parts, fixtures, and fittings you need to create a **successful** exhibit, including (depending on the kit) low voltage spotlights and adjustable tabletops. A benefit to this versatile system is that it enables you to reconfigure kits in multiple ways and combinations using the same parts. Orbital Truss can also be easily customized.



features and benefits:

- 10' x 10' kit size
- Custom appearance
- Simple twist and lock design
- 5 year warranty against manufacturer defects

dimensions:

Hardware

Assembled unit:
104.5" w x 84.4" h x 38" d
2654mm(w) x 2144mm(h) x 965mm(d)

Shipping

Packing case(s):
1 OCF

Shipping Dimensions:
51" l x 39" w x 24" h
1296mm(l) x 991mm(w) x 610mm(h)

Approximate total shipping weight
(includes cases & graphics):
218 lbs / 99 kgs

additional information:

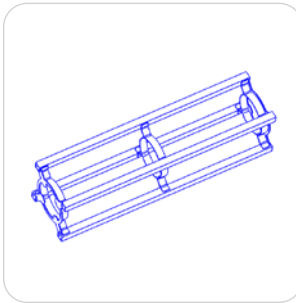
Graphic material:
Dye Sublimated

Lumina 1, 50 watt spotlights

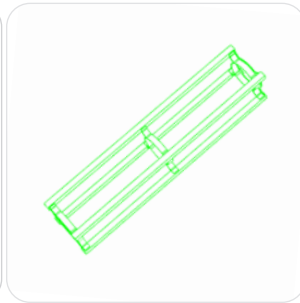
Tabletop: Max weight = 25lbs / 11 kg

Included In Your Kit

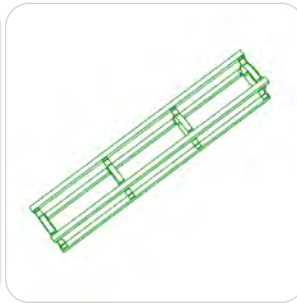
Truss, Connectors, & Accessories



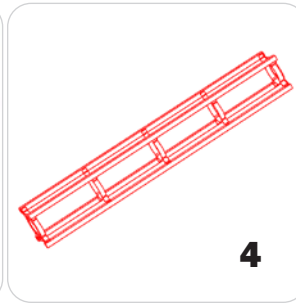
OR-24-2



OR-30-2

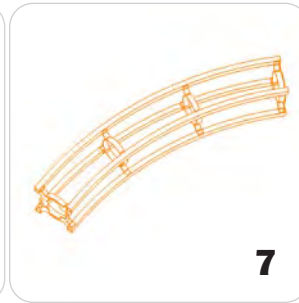


OR-36-2



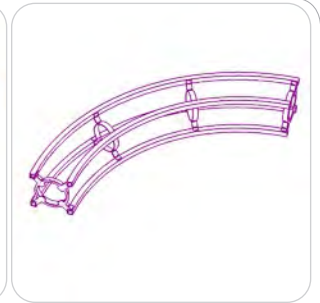
OR-46-2

4

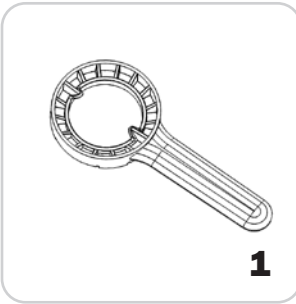


OR-45-CV-3

7

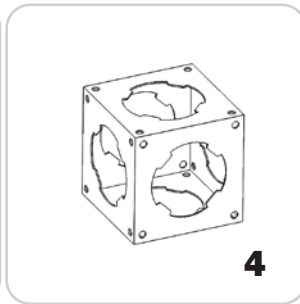


OR-90-CV-2



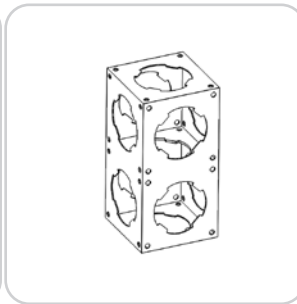
OR-TOOL-B

1

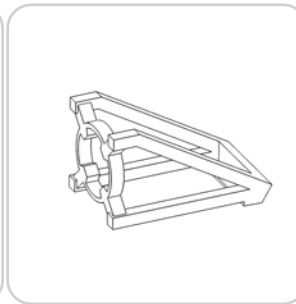


OR-J-3

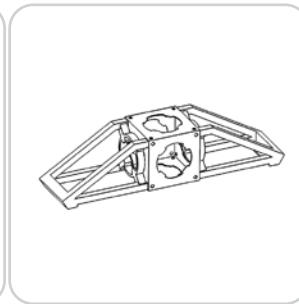
4



OR-J-DBL



OR-B90

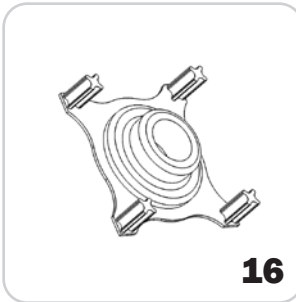


OR-B90A



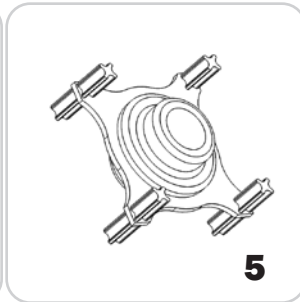
OR-B45

4



OR-QL-T2J

16

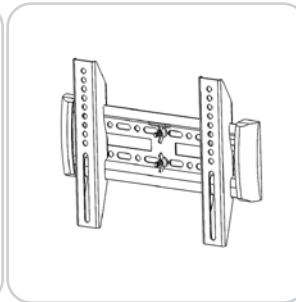


OR-QL-T2T

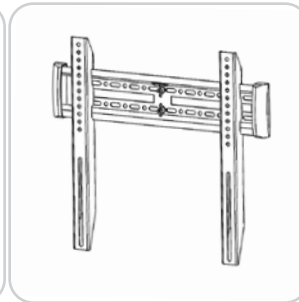
5



OR-UNC-QL



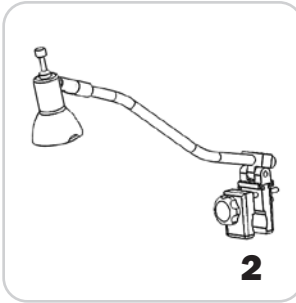
OR-SM-MB



OR-M-MB

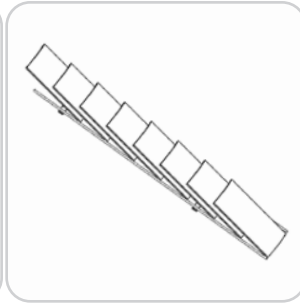


OR-LG-MB



SPOTLIGHT

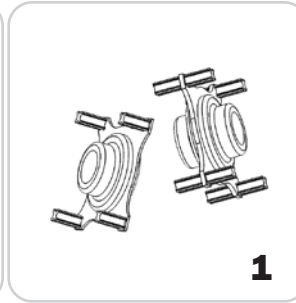
2



OR-STG

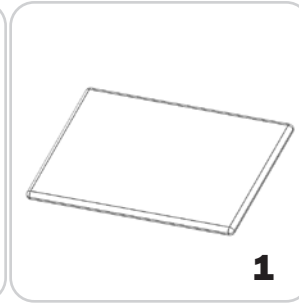


OR-MM-KIT



EXTRA PIECE SET

1

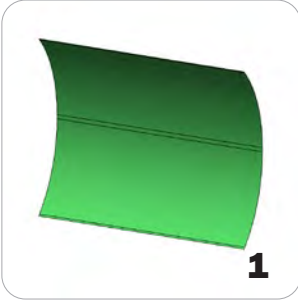


OR-ATL-CNTR-15-B

1

Included In Your Kit

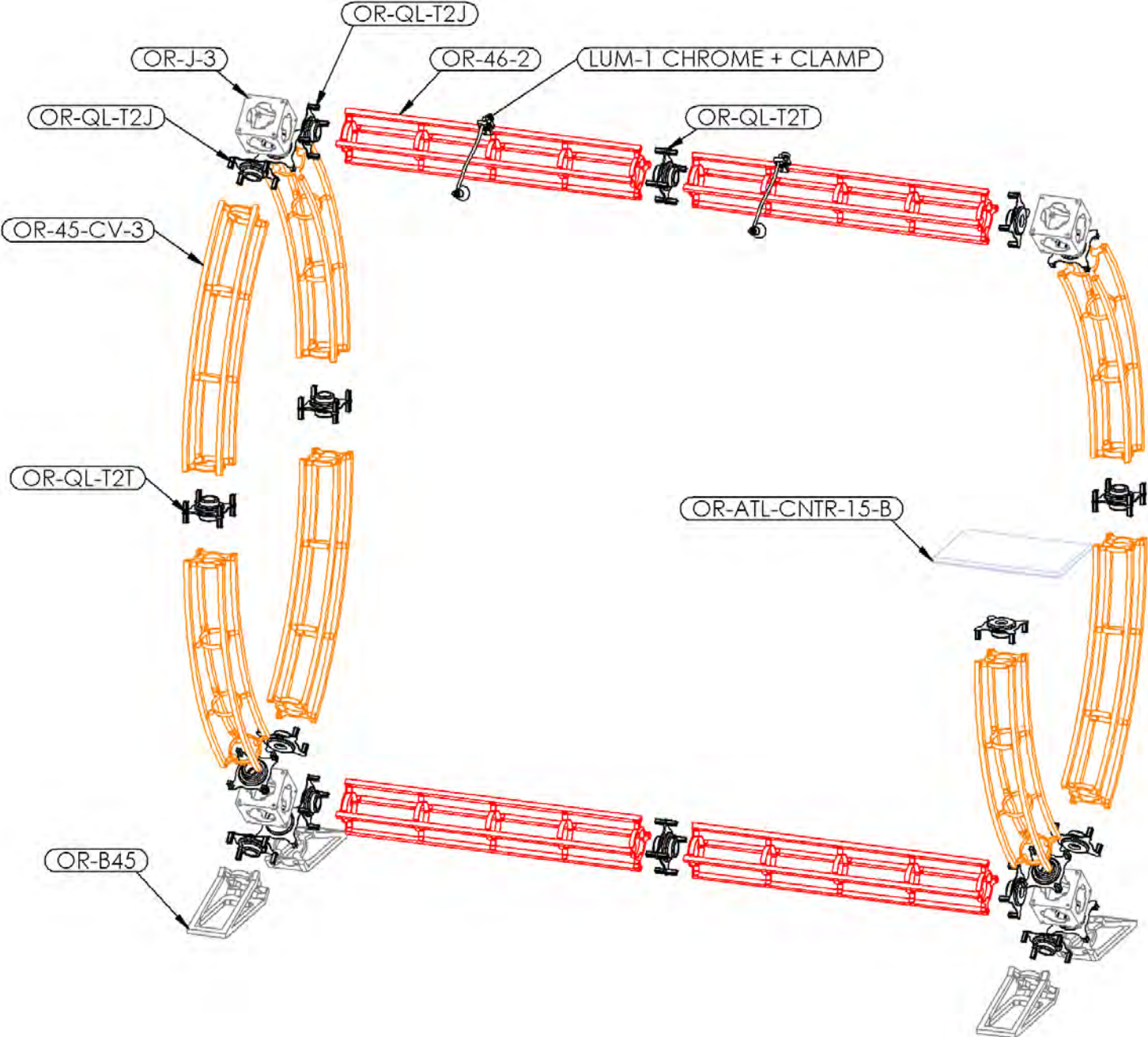
Graphics



OR-G-ATL-DS

Exploded View

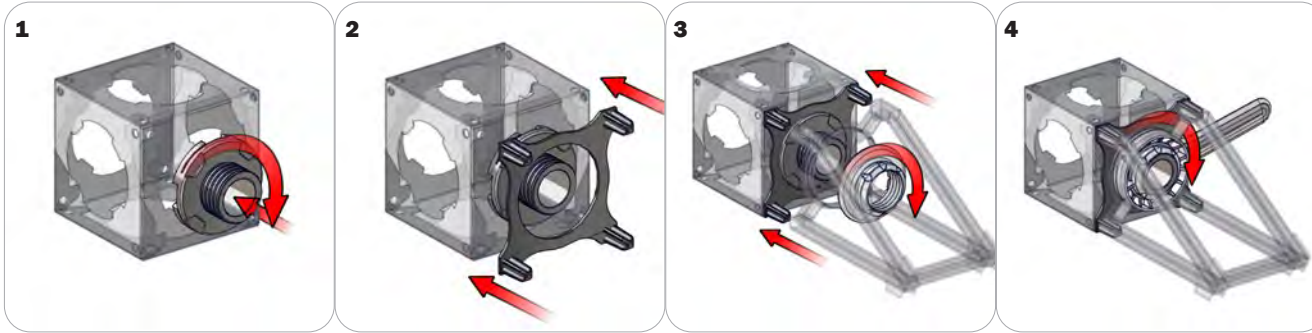
OT10-11



Connection Methods

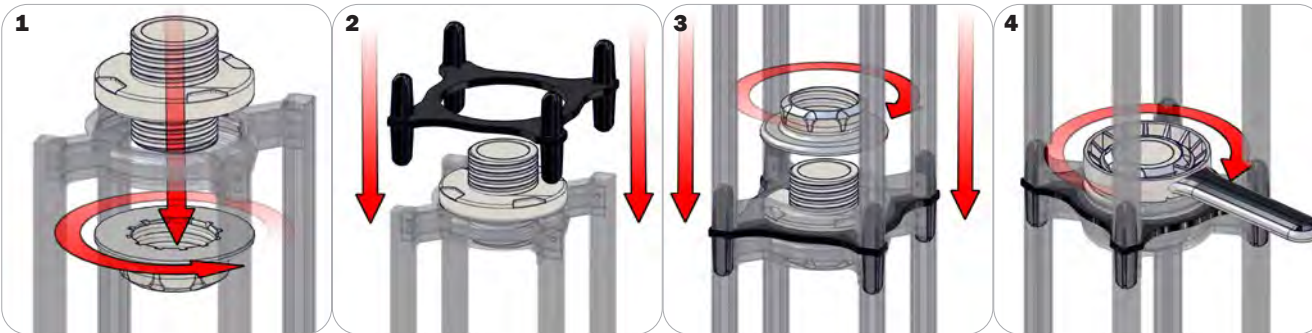
Orbital Express Truss™ structures use a number of different yet simple connection methods. Your kit will include one or more of the connection methods shown below. Steps within the Kit Assembly will reference a specific method for each connection point.

Connection Method 1: Truss To Junction Box (OR-QL-T2J)



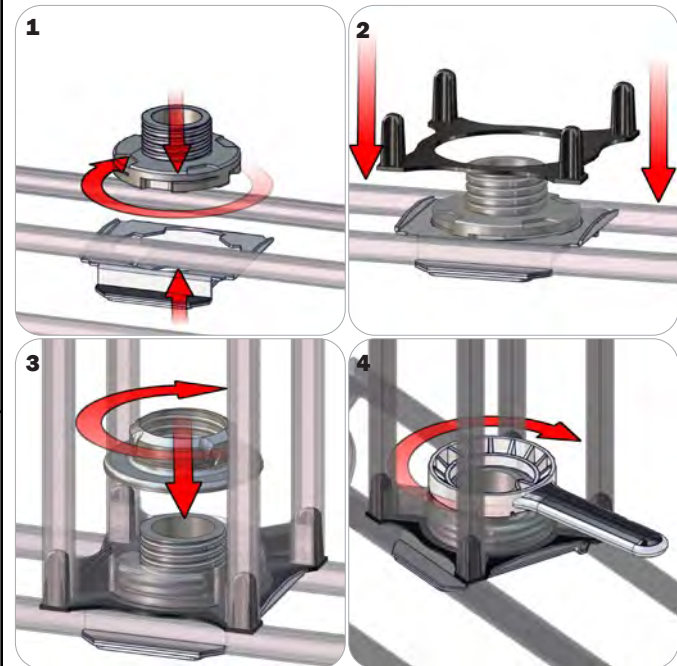
With your OR-QL-T2J (T2J) connector disassembled, insert the twist-lock hub of the connector into any large hole of the junction box and turn clockwise to lock into place (as shown in step 1). Place the bracket over the locked portion of the T2J connector so that the protruding hubs face outward (as shown in step 2). Push the truss you wish to connect onto the hubs of the T2J bracket. The hubs will slide into the holes in the end of the truss. Hand tighten the remaining cap onto the T2J connector and lock tight and securely using your OR-TOOL-B tool.

Connection Method 2: Truss To Truss (OR-QL-T2T)



With your OR-QL-T2T (T2T) connector disassembled, assemble onto the end of your truss with the double-sided screw hub and a screw cap, then tighten with your OR-TOOL-B tool (as shown in step 1). Locate the bracket for your T2T connector. Insert the hubs of the bracket into the holes on the end of your truss. Add the truss you wish to connect by inserting the hubs of the bracket onto the second truss. Sandwich the end of the truss using the second screw cap and lock tight and securely using your OR-TOOL-B tool.

Connection Method 3: Universal Connector (OR-UNC-QL) / Accessories



With your OR-UNC-QL (UNC) connector disassembled, assemble onto the end of the truss using the metal bracket and the screw hub. Turn clockwise to lock the bracket and twist-locking hub together. Add the plastic hub over the locked pieces so that the protruding hubs point away and the bracket sits flush. Push the truss you wish to connect onto the bracket, letting the hubs insert into the holes of the truss. Hand tighten the remaining cap onto the T2J connector and lock tight and securely using your OR-TOOL-B tool.

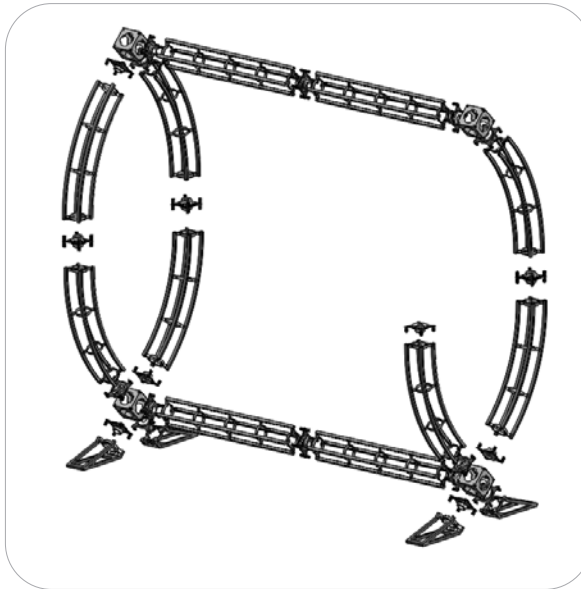
Kit Assembly

Step by Step

Step 1.

Assemble according to the Exploded View. Build your assembly from bottom to top.

Please reference Connection Methods 1 & 2 for more details.



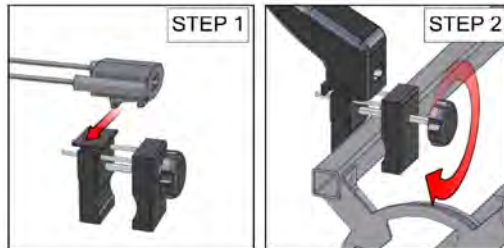
Step 2.

To attach your "Dye Sublimation" fabric graphics, apply the hook velcro around the inside perimeter of the truss you wish to apply your graphic to. Apply the graphic utilizing the pre-sewn loop velcro on its unprinted side.



Step 3.

Slide the "Universal" clamp style light connector to your spotlights. Open your clamps using the adjustment knob. Apply the light assembly in the desired position and clamp tightly into place.



1- Slide light onto UNIVERSAL CLAMP
2- Then attach Light on top of the frame.
Up to 30mm

Step 4.

Attach your tabletop.

Please reference Connection Methods 1 for more details.

Setup Complete

