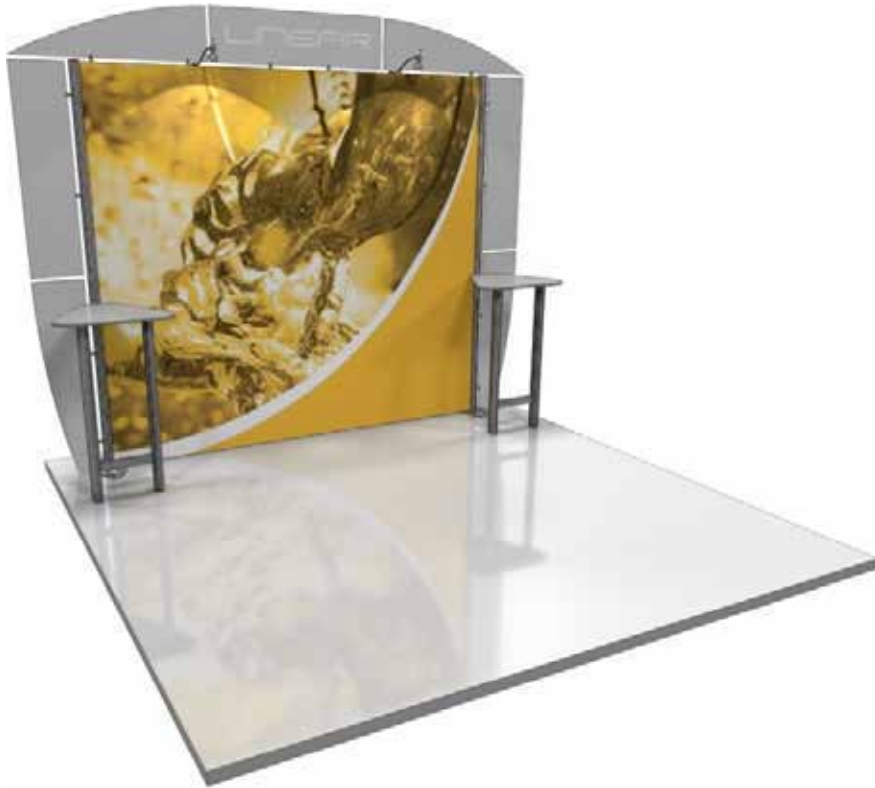


Assembly Instructions:

10' ModLite Minimal (Option 1) Trade Show Display Booth

This Display provides a modern, slick, and stylish appearance. The extrusion based exhibit features a NEW velcro-applied fabric graphic. Headers and wings are available in UV printed graphics or frosted plex.



We are continually improving and modifying our product range and reserve the right to vary the specifications without prior notice. All dimensions and weights quoted are approximate and we accept no responsibility for variance. E&OE. See Graphic Templates for graphic bleed specifications.

features and benefits:

- Custom appearance
- Easy to assemble
- NEW velcro-applied fabric graphic
- Table tops available in four color options
- Aluminum construction: vertical extrusions 75 mm x 50 mm
- Installation tool included
- Comes with your choice of frosted plex or PVC graphic panels
- Kit includes one OCH case, two straight leg tables, and two 50 watt spotlights
- Lifetime hardware warranty against manufacturer defects

dimensions:

| Hardware | Graphic |
|--|--|
| Assembled unit: 120"w x 96.125"h x 30.67"d approx. 3048mm(w) x 2441.5mm(h) x 780mm(d) | Header panels: Total visible area: 118.5"w x 11.05"h 3010mm(w) x 280.7mm(h) |
| Shipping | Wing panels: Total visible area: 10.4"w x 84"h 2134mm(w) x 264.16mm(h) |
| Shipping dimensions - ships in one case OCH case: 48"l x 24"w x 10"h 1219mm(l) x 610mm(w) x 254mm(h) | Center panel: Total visible area: 93.74"w x 84"h 2381mm(w) x 2134mm(h) |
| Approximate shipping weight (entire kit): 145 lbs/ 65.8 kg | Total visible area: 120"w x 85.05"h 3048mm(w) x 2415mm(h) |
| | Refer to related graphic template for more information |

additional information:

Graphic materials:
Center graphic: Oxford

Headers & wings:
single-sided frosted acrylic, or printed PVC

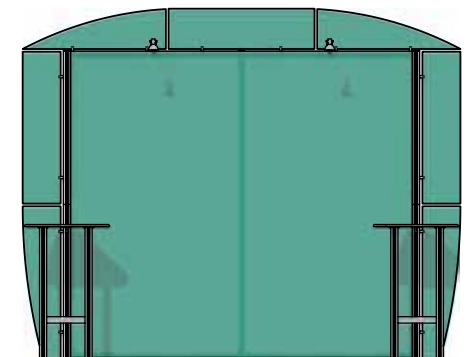
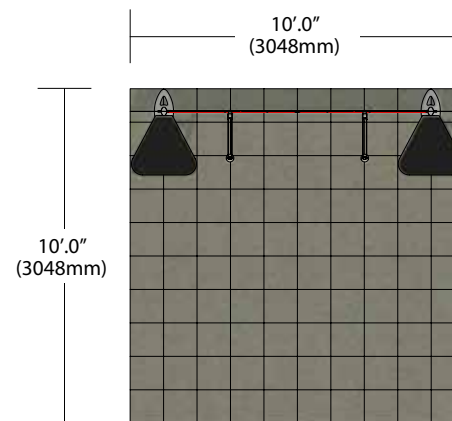
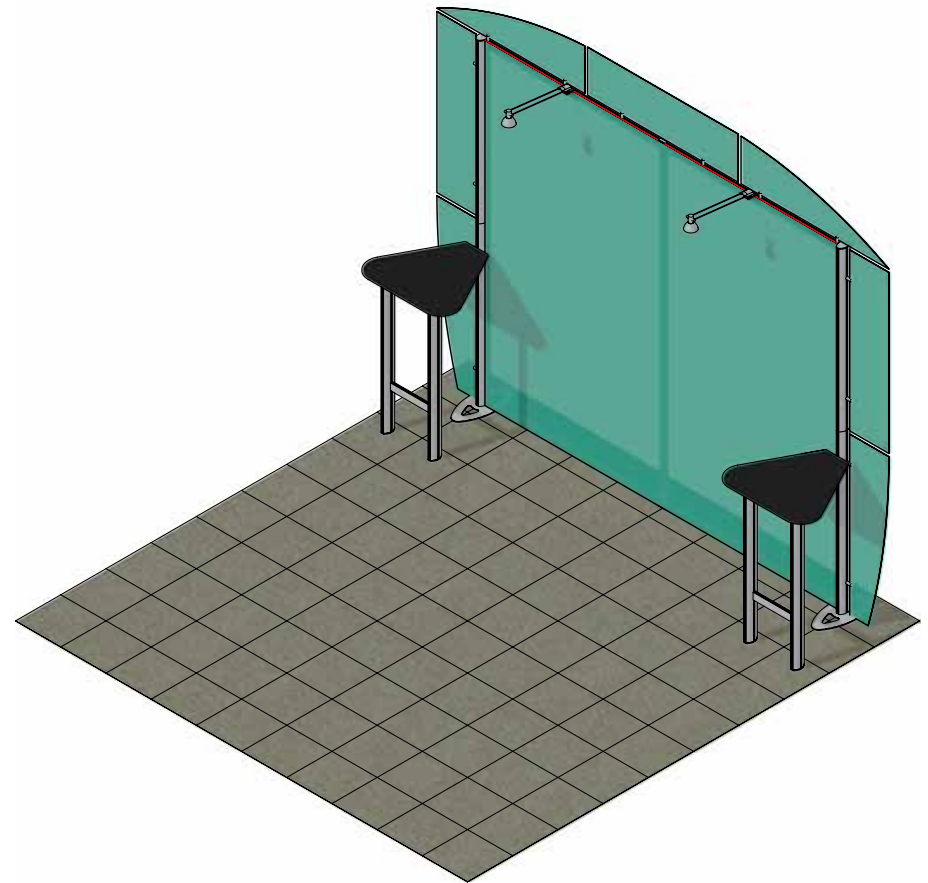
Table top color options:



Assembly Instructions:

10' ModLite Minimal (Option 1) Trade Show Display Booth

| Parts Included | | |
|----------------|-----|--|
| Part Label | Qty | Part Description |
| LN-FS-UPRIGHT | 2 | LN-FS-UPRIGHT - LINEAR UPRIGHT WITH FOOT |
| PH-1168-L-L | 4 | 1168MM (46") LENGTH OF PH EXTRUSION WITH CAM LOCK BOTH SIDES |
| PH-1067-L1 | 2 | 1067MM (42") PH LOCK HOLE ONE END |
| LN-ADJ-FT | 1 | LINEAR ADJUSTING FOOT |
| IB2 | 1 | INLINE BRACKET |
| PM3O-1067 | 2 | 1067MM (42") PM3O OPEN ENDS |
| PM3O-CAP | 6 | PM3O GREY MOLDED CAP |
| LN605-EN | 1 | PH END CAP |
| WME-1000 | 4 | 1000MM (39.375") WIRE MANAGEMENT EXTRUSION W/ VELCRO |
| LN-10X10-FG | 1 | LINEAR 10X10 FABRIC CENTER GRAPHIC |
| LN-02-HW-A-G | 1 | LINEAR KIT 2 HEADER/WING GRAPHIC A |
| LN-02-HW-B-G | 1 | LINEAR KIT 2 HEADER/WING GRAPHIC B |
| LN-02-HW-C-G | 1 | LINEAR KIT 2 HEADER/WING GRAPHIC C |
| LN-02-HW-D-G | 1 | LINEAR KIT 2 HEADER/WING GRAPHIC D |
| LN-02-HW-E-G | 1 | LINEAR KIT 2 HEADER/WING GRAPHIC E |
| LN-02-HW-F-G | 1 | LINEAR KIT 2 HEADER/WING GRAPHIC F |
| LN-02-HW-G-G | 1 | LINEAR KIT 2 HEADER/WING GRAPHIC G |
| LN-TBL-TRI | 2 | LINEAR TRIANGLE TABLE TOP *FINISH MAY VARY |
| LN-TBL-LG | 4 | LINEAR TABLE TOP LEG |
| PH-267-L-L | 2 | LINEAR TABLE TOP LEG SUPPORT |
| CKAPS | 14 | CABLE KIT, 7MM PANEL SUPPORT (MULTI ANGLE) AKA LN-P0114-WNT1 |
| PHFC2-150-L | 2 | 150MM PHFC2 W/ONE LOCK |
| LN-LT-FXT | 2 | LINEAR LIGHT FIXTURE |
| LUM-8 | 2 | LUMINA 8 LIGHT |
| ALLEN KET SET | 1 | ALLEN KEY MULTI-TOOL |

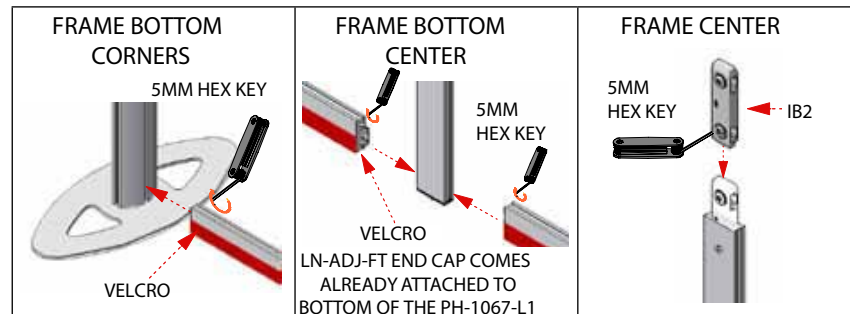
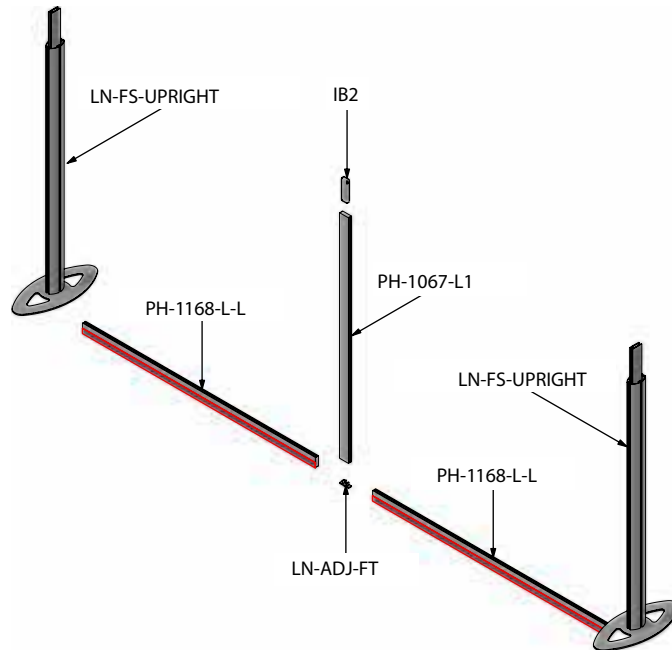


Assembly Instructions:

10' ModLite Minimal (Option 1) Trade Show Display Booth

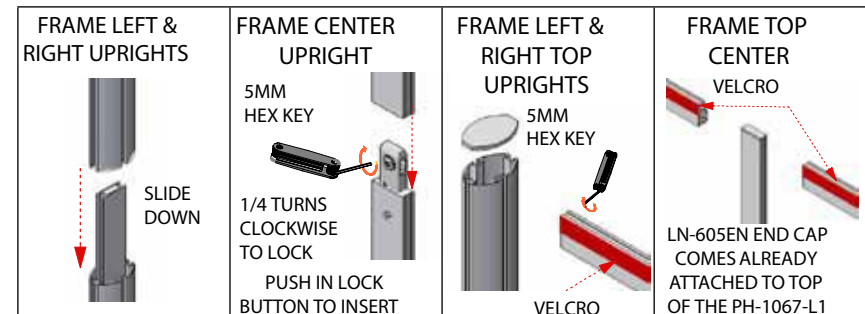
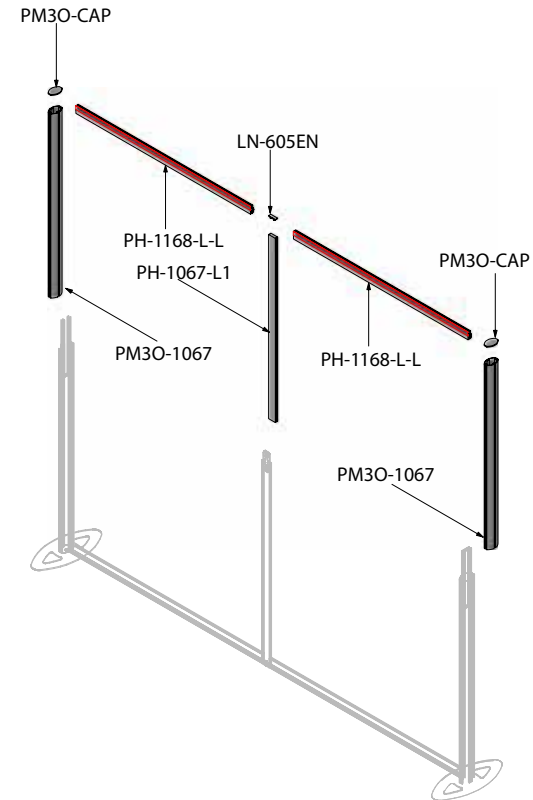
Step 1. Assemble the bottom of the frame

Using the 5MM HEX KEY, attach one PH-1168-L-L to each of the LN-FS-UPRIGHT's with the velcro facing front. Attach the opposite ends of the PH-1168-L-L to the PH-1067-L1 using the 5MM HEX KEY. Once all are attached use the 5MM HEX KEY to depress the IB2 lower button and insert into the top of the PH-1067-L1, DO NOT LOCK.



Step 2. Assemble the top of the frame

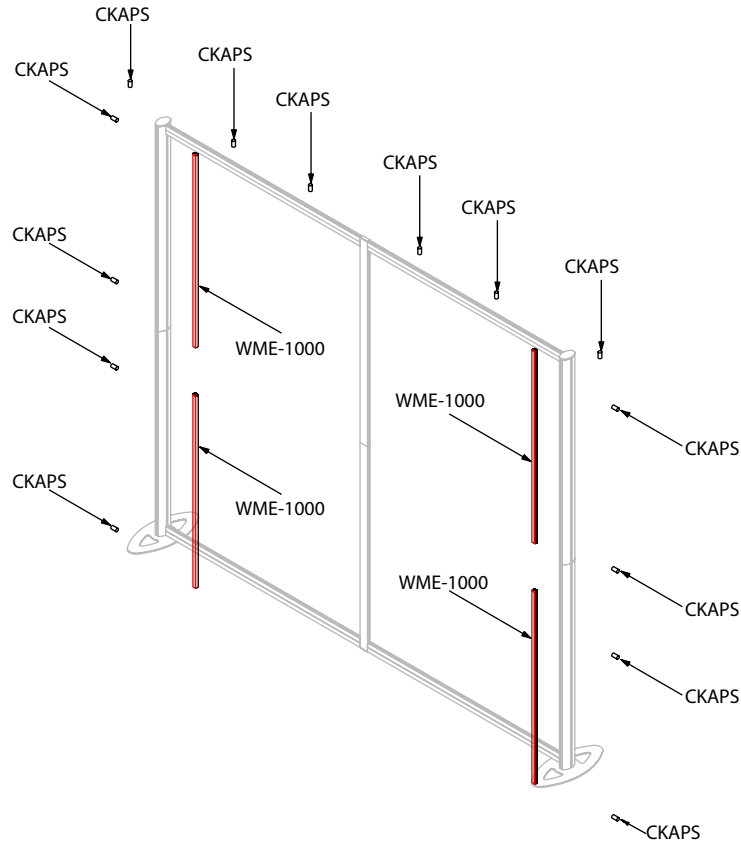
Make sure the velcro is facing towards the front and slide PM30-1067 onto LN-FS-UPRIGHT on the left and right ends of the frame. Push in the lock button to slide and attach the PH-1067-L1 to the IB2, then lock both buttons. Attach PH-1168-L-Ls to the PM30-1067s and PH-1067-L1 using the 5MM HEX KEY. The PM30-CAP will come already attached to the PM30-1067.



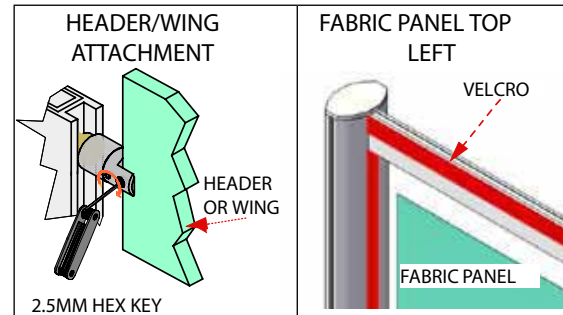
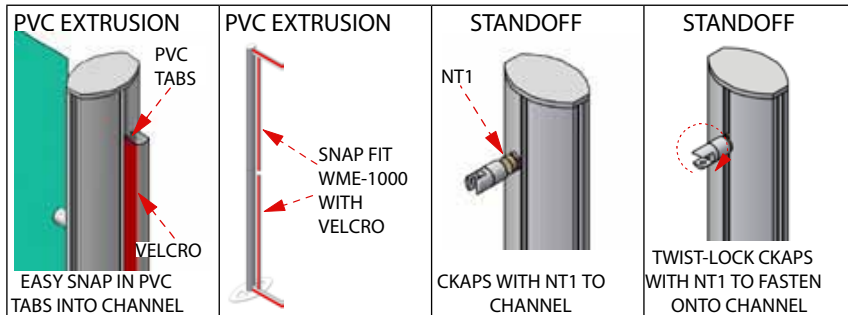
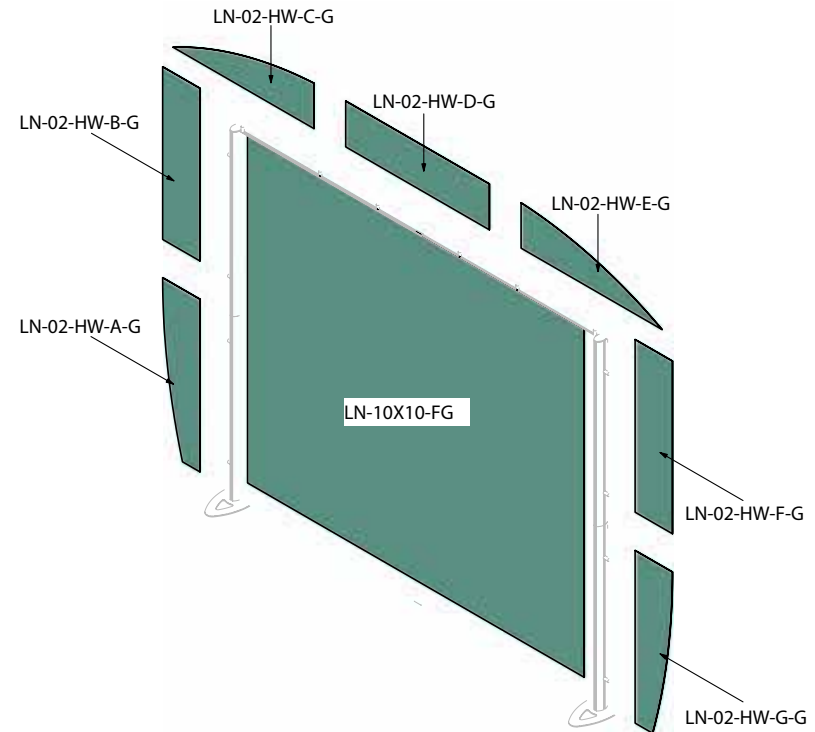
Assembly Instructions:

10' ModLite Minimal (Option 1) Trade Show Display Booth

Step 3. Attach graphic support & adhere CKAPS for graphic headers/wings
 Snap attach the WME-1000 (graphic support) onto the frame inside the left and right uprights. Make sure the velcro is facing towards the front. Insert the 14 CKAPS into the outside perimeter channels and turn clockwise to lock, other locking screws should be loose. Evenly space out the standoffs for each header or wing.



Step 4. Attach center graphic and graphic headers/wings
 Insert the panels into CKAPS 7mm wide channel, lock in the panels and tighten all of the screws. Velcro attach the LN-10X10-FG (center graphic) to the frame starting at the top left corner. Continue to velcro attach the LN-10X10-FG to the frame ending in the bottom right corner.

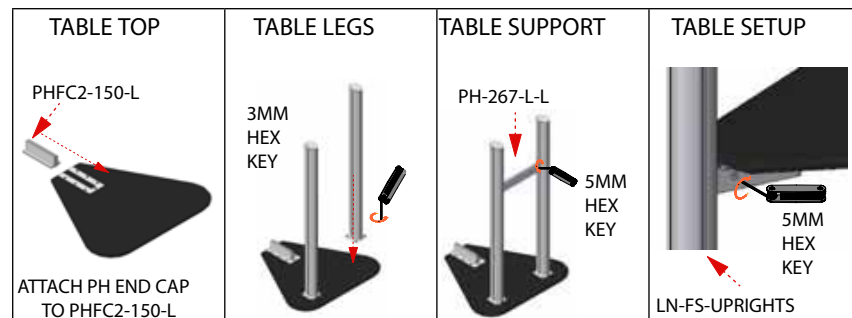
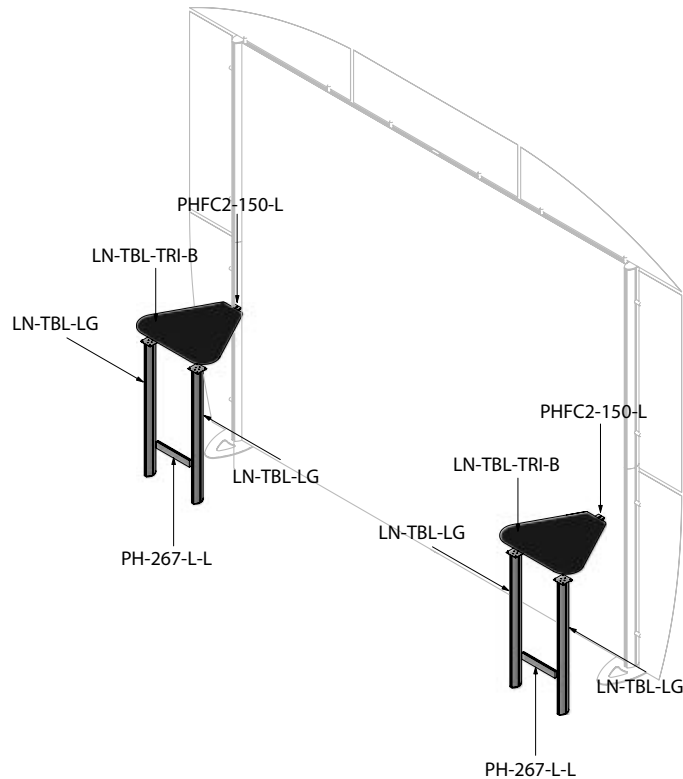


Assembly Instructions:

10' ModLite Minimal (Option 1) Trade Show Display Booth

Step 5. Assemble tables & attach to backwall

Slide the PHFC2-150-L into the underside of the table. Fasten the table legs to the underside of the table top using the 3MM HEX KEY. Lock in the tables leg support, PH-267-L-L, at a desired height. Once finished turn table over and attach it to the backwall frame (LN-FS-UPRIGHT) using the 5MM HEX KEY. Repeat for the second table.



Step 6. Attach lights

Slide the light fixture LUM-8 onto the light clip LN-LT-FXT. Lift and rest light clip onto top of horizontal channel and run the wires in between and behind the panels.

