
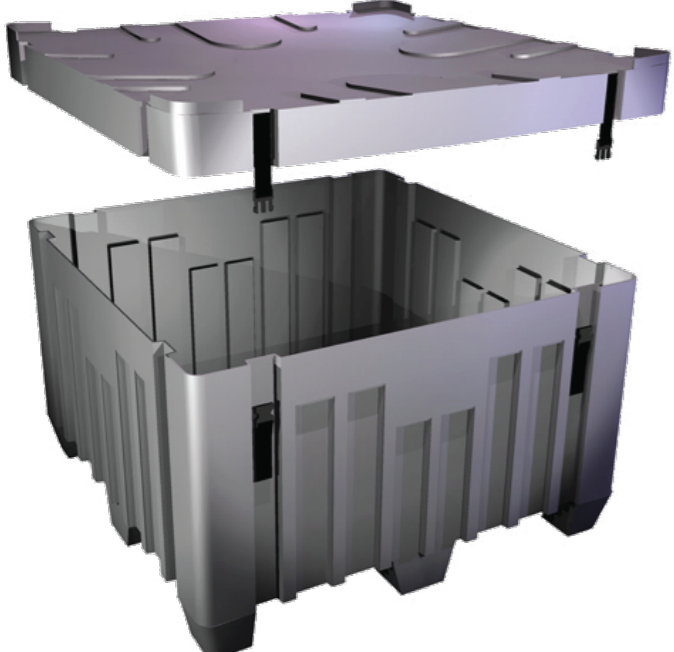
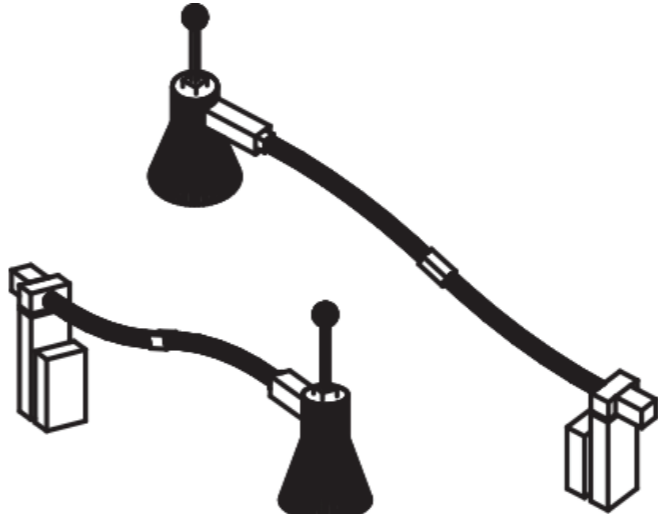


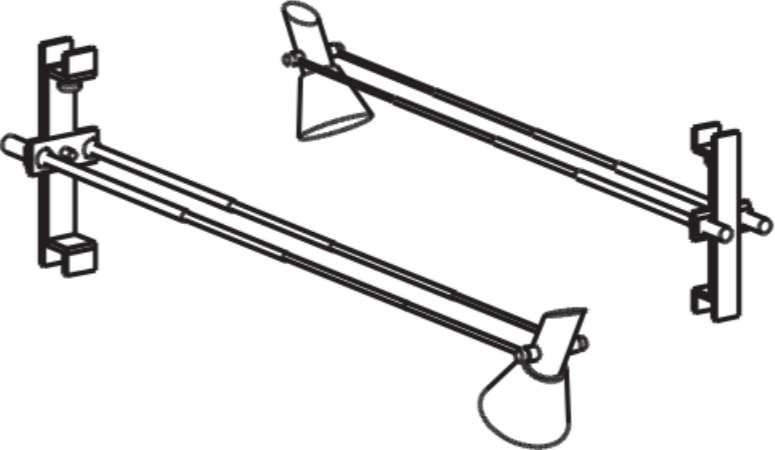
InfiniTruss Shipping Cases

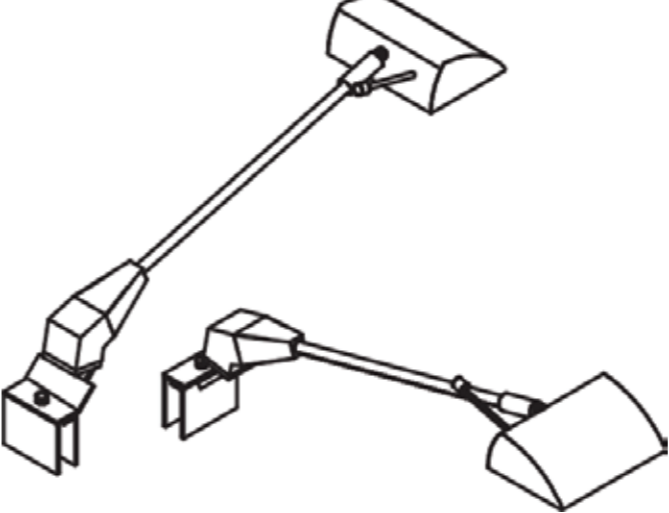
SHIPPING CASE	PRODUCT SPECS
	<ul style="list-style-type: none"> - Color: Gray - Construction: Blow molded plastic - Interior: 24"L x 48"W x 8"H - Exterior: 27"L x 49.5"W x 16"H - Weight: 30 lbs. - Stackable 6 high - Rollable and UPS shippable

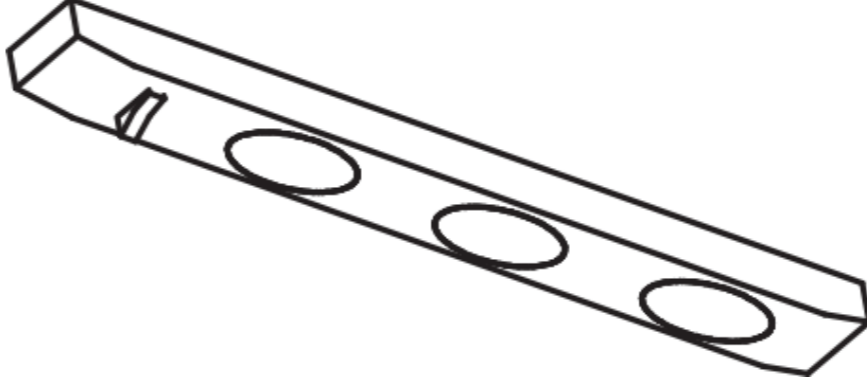
SHIPPING TUB	PRODUCT SPECS
	<ul style="list-style-type: none"> - Color: Gray - Construction: Blow molded plastic - Interior: 48"L x 48"W x 28"H - Exterior: 51"L x 51"W x 32"H - Weight: 90 lbs. - Stackable 4 high - Freight shipping only

InfiniTruss Display Lighting

Spot Light	PRODUCT SPECS
	<ul style="list-style-type: none"> - BDLT50 - 50-Watt MR16 Halogen bulb. - Hood rotates and swivels. - Mounts to wall or truss.

Telescoping Light	PRODUCT SPECS
	<ul style="list-style-type: none"> - TELLT50 - 50-Watt MR16 Halogen bulb. - Mounts between truss tubes. - Telescopes and pivots at base and head.

Arm Light	PRODUCT SPECS
	<ul style="list-style-type: none"> - 150WW24 - 150-Watt Halogen lamp. - Hood rotates and swivels. - Mount adjusts to wall or truss structure 1/2" -1" thick.

Soffit Light	PRODUCT SPECS
	<ul style="list-style-type: none"> - SFTLT - Three --20-Watt lamps in one fixture