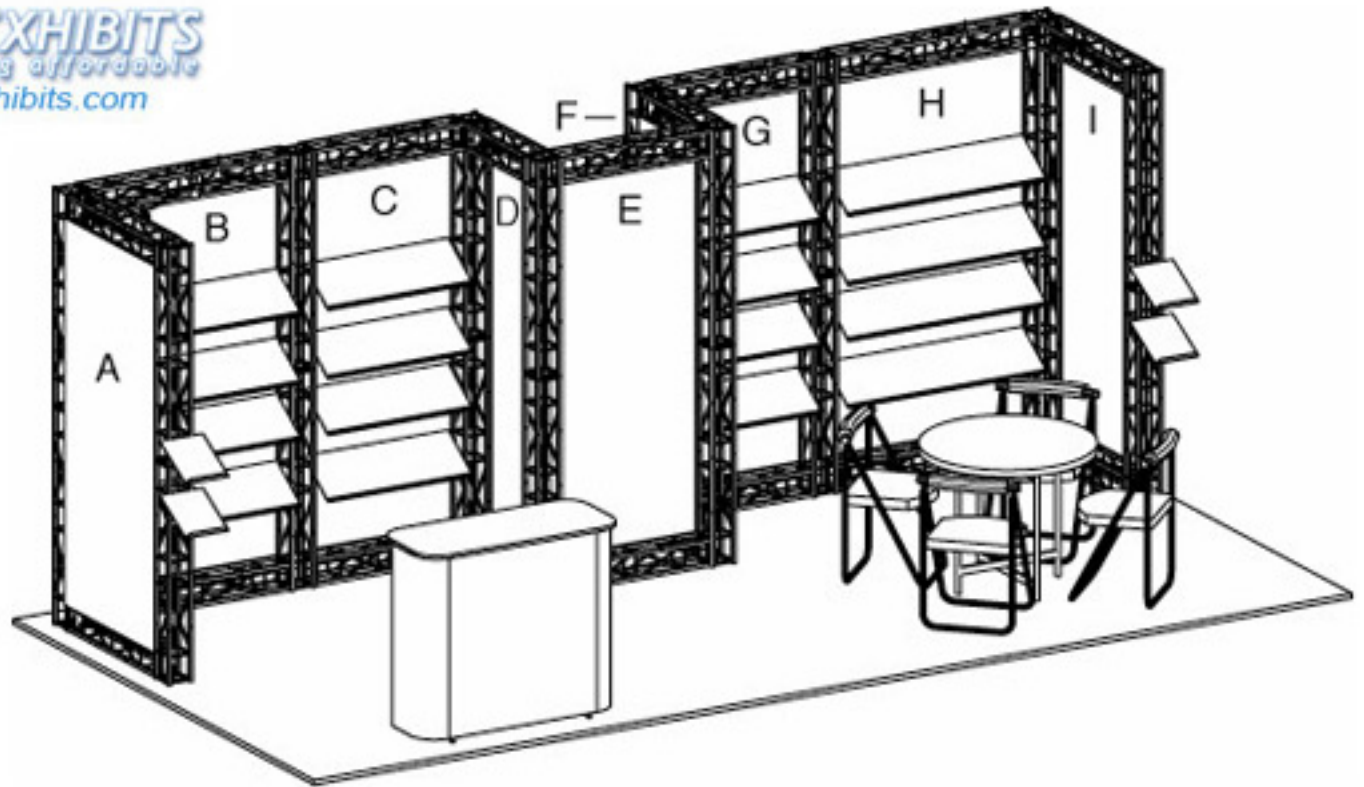


866.720.3433
Goddard - IT20-11



Panel **A**: 36" x 81.5" panel size, 34.5" x 80" viewable graphic size.
Panel **B**: 47.5" x 81.5" panel size, 46" x 80" viewable graphic size.
Panel **C**: 36" x 81.5" panel size, 34.5" x 80" viewable graphic size.
Panel **D**: 24.5" x 81.5" panel size, 23" x 80" viewable graphic size.
Panel **E**: 36" x 81.5" panel size, 34.5" x 80" viewable graphic size.
Panel **F**: 24.5" x 81.5" panel size, 23" x 80" viewable graphic size.
Panel **G**: 36" x 81.5" panel size, 34.5" x 80" viewable graphic size.
Panel **H**: 47.5" x 81.5" panel size, 46" x 80" viewable graphic size.
Panel **I**: 36" x 81.5" panel size, 34.5" x 80" viewable graphic size.