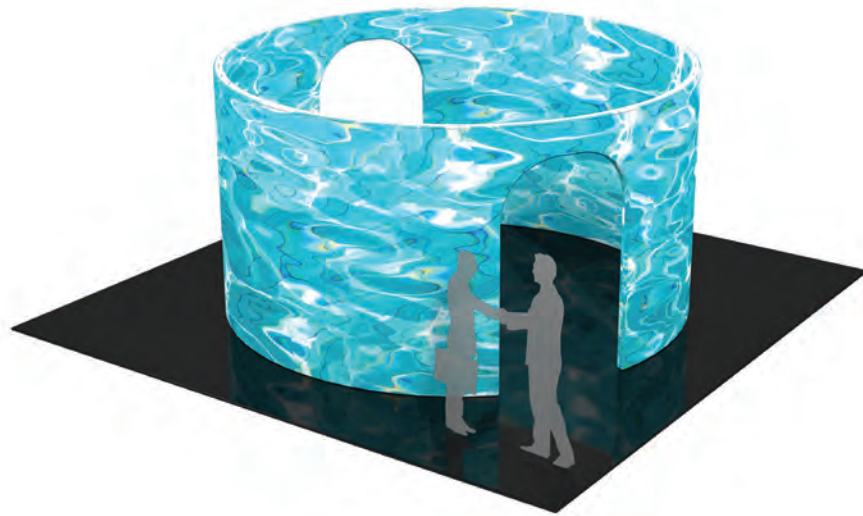


# Tension Fabric Accessory - TFA-ROOM

## TFA-ROOM

The Tension Fabric Room is a cylinder-shaped space perfect for meetings, graphic displays, projected presentations, a theater setting & much more. The Tree House is 15 ft in diameter, 8ft tall and features two 7 ft tall doorways, encouraging traffic flow through the structure.



Top View

## features and benefits:

- State-of-the-art 50mm curved aluminum tube frame with heavy-duty internal spigots
- Cylinder-shaped room is 15ft in diameter
- Two 7ft tall doorways encourage traffic flow
- Kit includes: one frame, one dye-sublimated zipper pillowcase graphics, and three wheeled molded OCE storage cases
- Lifetime hardware warranty against manufacturer defects

## dimensions:

### Hardware

Assembled unit:  
180" dia. x 96"h (open on top)  
4571mm(dia) x 2439mm(h)

Approximate kit weight (includes graphic):  
148.11 lbs / 67 kgs

### Shipping

Shipping dimensions - ships in 3 cases:  
3 OCE cases: 18"l x 18"w x 40" up to 66"h  
(per case)

Approximate shipping weight (with cases):  
229.11 lbs / 110 kgs

### Graphic

Total visual area:  
564.4"w x 96"h

Outside visual area: 564.4"w x 96"h  
Inside visual area: 552.56"w x 96"h

Please be sure to include 5" bleed  
around the perimeter.

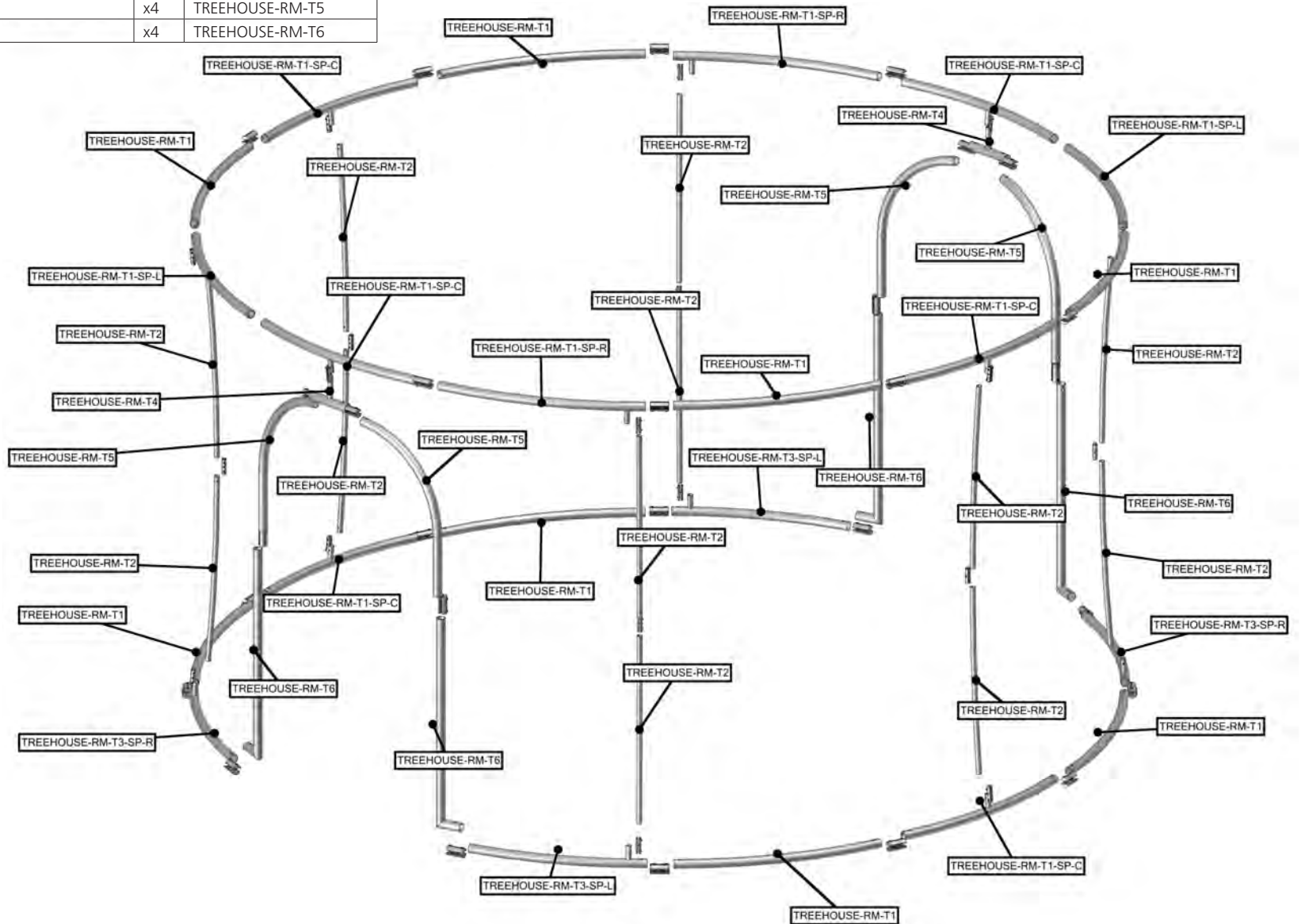
Refer to related graphic template for  
more information.

## additional information:

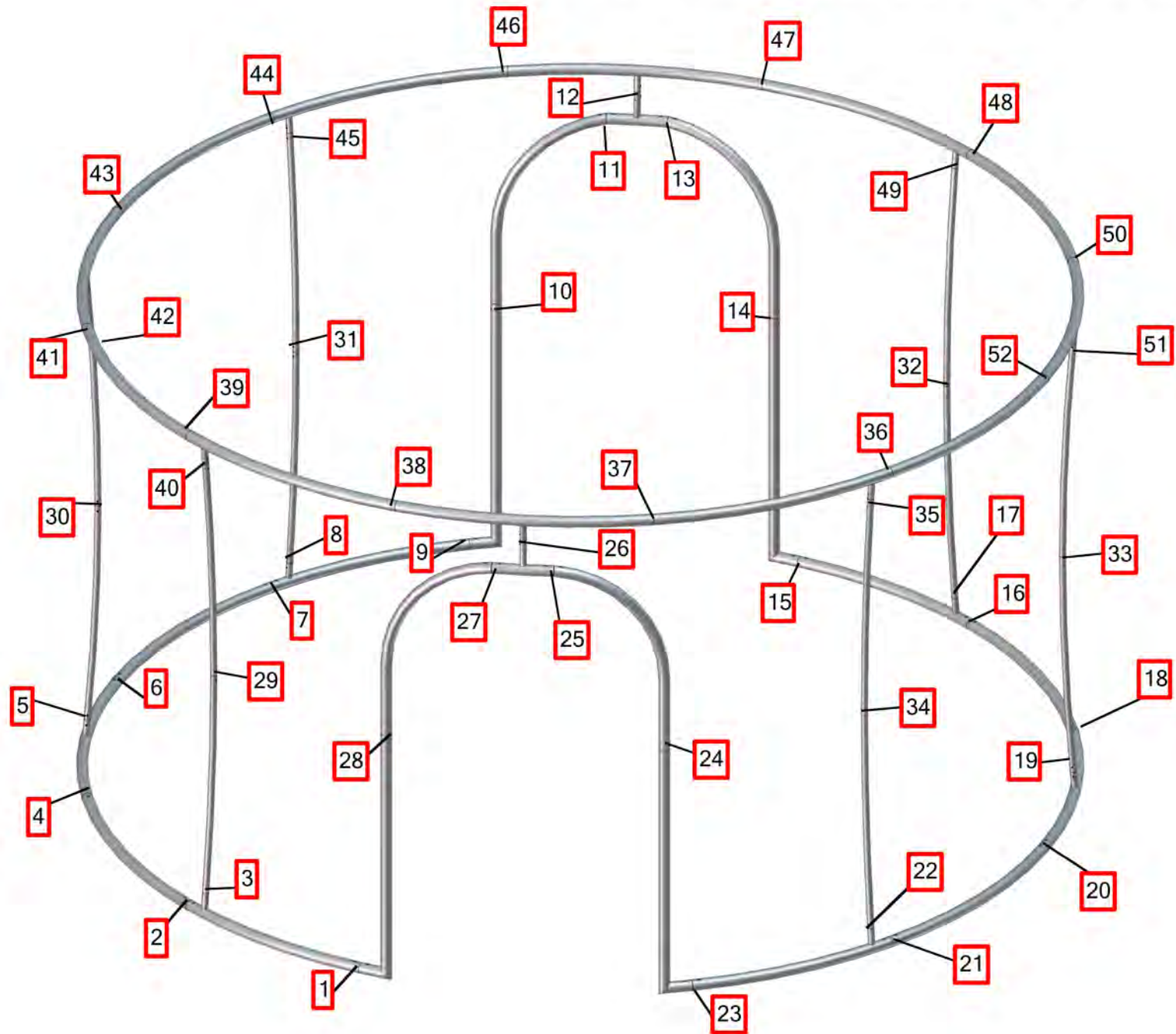
Graphic material:  
Dye-sublimated zipper pillowcase fabric

Single-sided treehouse outside printed only

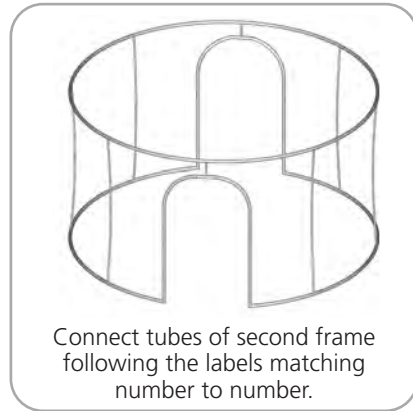
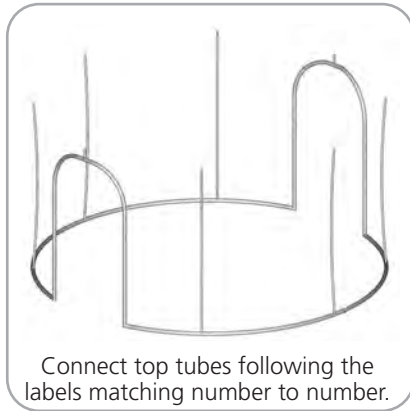
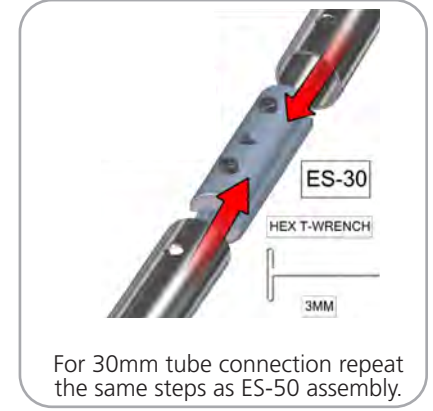
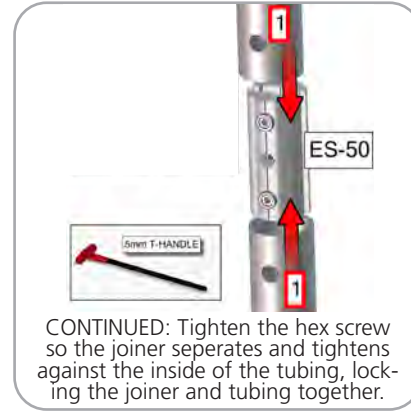
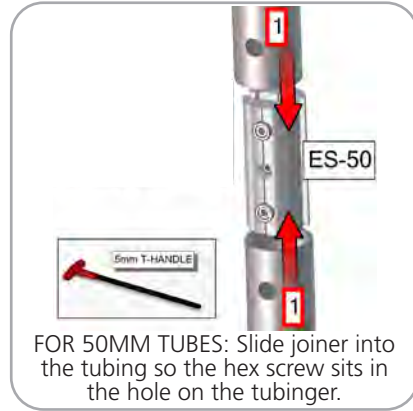
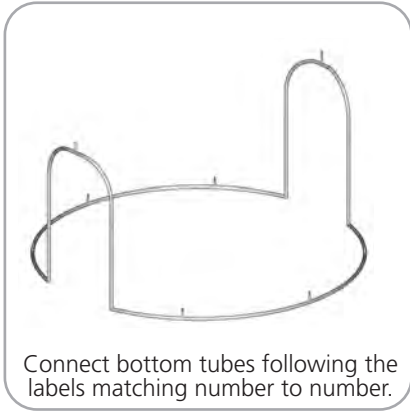
Parts Included		
Part Label	Qty	Part Code
50MM CURVED TUBE WITH SPREADER	x10	TREEHOUSE-RM-T1-SP
50MM CURVED TUBE WITH SPREADER RIGHT SIDE	x2	TREEHOUSE-RM-T3-SP-R
30MM CURVED SPREADER	x12	TREEHOUSE-RM-T2
50MM CURVED TUBE	x8	TREEHOUSE-RM-T1
50MM CURVED TUBE WITH SPREADER	x1	TREEHOUSE-RM-T4
50MM CURVED TUBE WITH SPREADER RIGHT SIDE	x2	TREEHOUSE-RM-T1-SP-R
50MM CURVED TUBE WITH SPREADER	x1	TREEHOUSE-RM-T4
50MM CURVED TUBE	x4	TREEHOUSE-RM-T5
50MM CORNER TUBE	x4	TREEHOUSE-RM-T6



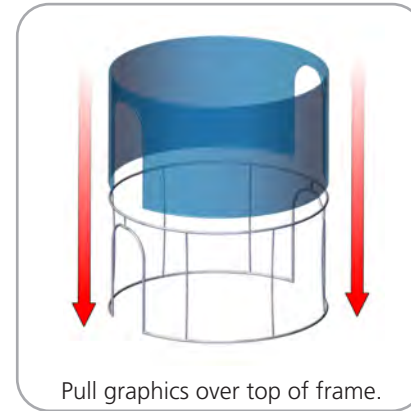
# ASSEMBLE FRAME AS SHOWN



## STEP 1: ASSEMBLE FRAME



## STEP 2: ATTACH GRAPHICS



## STEP 3: ZIP GRAPHIC

