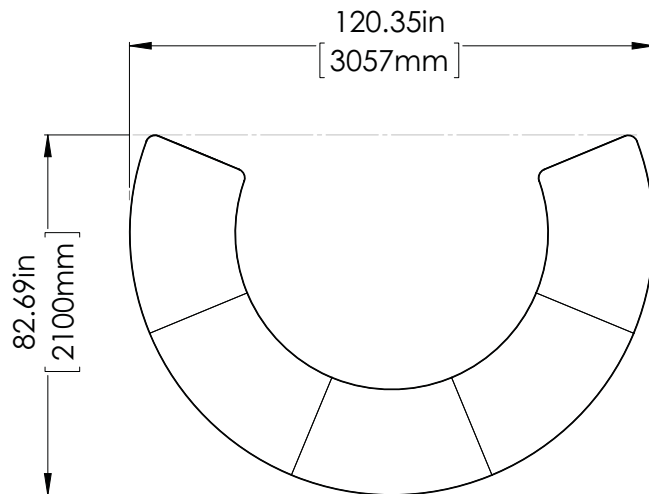


# Tension Fabric Accessory - TFA-CBAR-04

## TFA-CBAR-04

Tension Fabric counters couple lightweight hardware with state-of-the-art printed stretch silicone edge push-fit fabric graphics to create funky and functional reception stands.



## features and benefits:

- Premium aluminum tube frames with cam lock assembly
- Easy to store and ship
- Counter top and base (come in a variety of colors)
- One push-fit fabric graphic
- Lifetime limited hardware warranty against manufacturer defects

## dimensions:

Hardware	Graphic
Assembled unit: 120.35" w x 37.8" h x 82.69" d 3057mm(w) x 960mm(h) x 2100mm(d)	Refer to related graphic template for more information.
Approximate weight with cases: 330 lbs / 150 kgs	

## Shipping

Packing case(s):  
3 OCFM

Shipping dimensions:

38" l x 26" h x 14" d  
965mm(l) x 660mm(h) x 356mm(d)

Approximate total shipping weight (includes cases & graphics):  
305 lbs / 152 kgs

## additional information:

Graphic material:  
dye-sublimation push-fit fabric graphic

Counter top Dimensions:  
24" depth  
Inside Radius 2'  
Outside Radius 5'

Counter top Max Weight Capacity: 45 lbs.

Wood Finish Options



2 person assembly recommended:



# Included In Your Kit

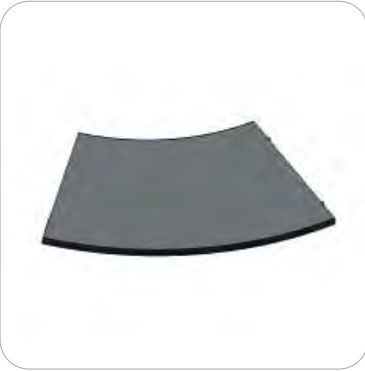
Tools, Components, & Connectors



CT-W-06-C-01 x1



CT-W-06-C-02 x1



CT-W-06-C-03 x3



BASE-W-06-C-01 x1



BASE-W-06-C-02 x1



BASE-W-06-C-03 x3



TRI30-COUNTER x5



SET-SCREW-5-16-2 x30



FLANGE-WING-NUT-5-32 x30

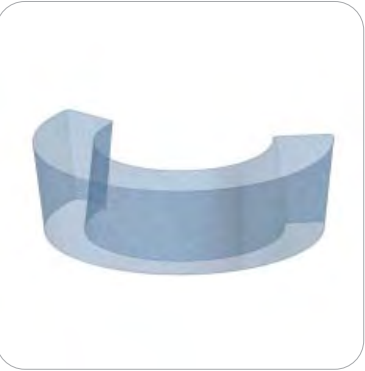


ROTO-HEX-KEY x1



T-HANDLE-5-32 x1

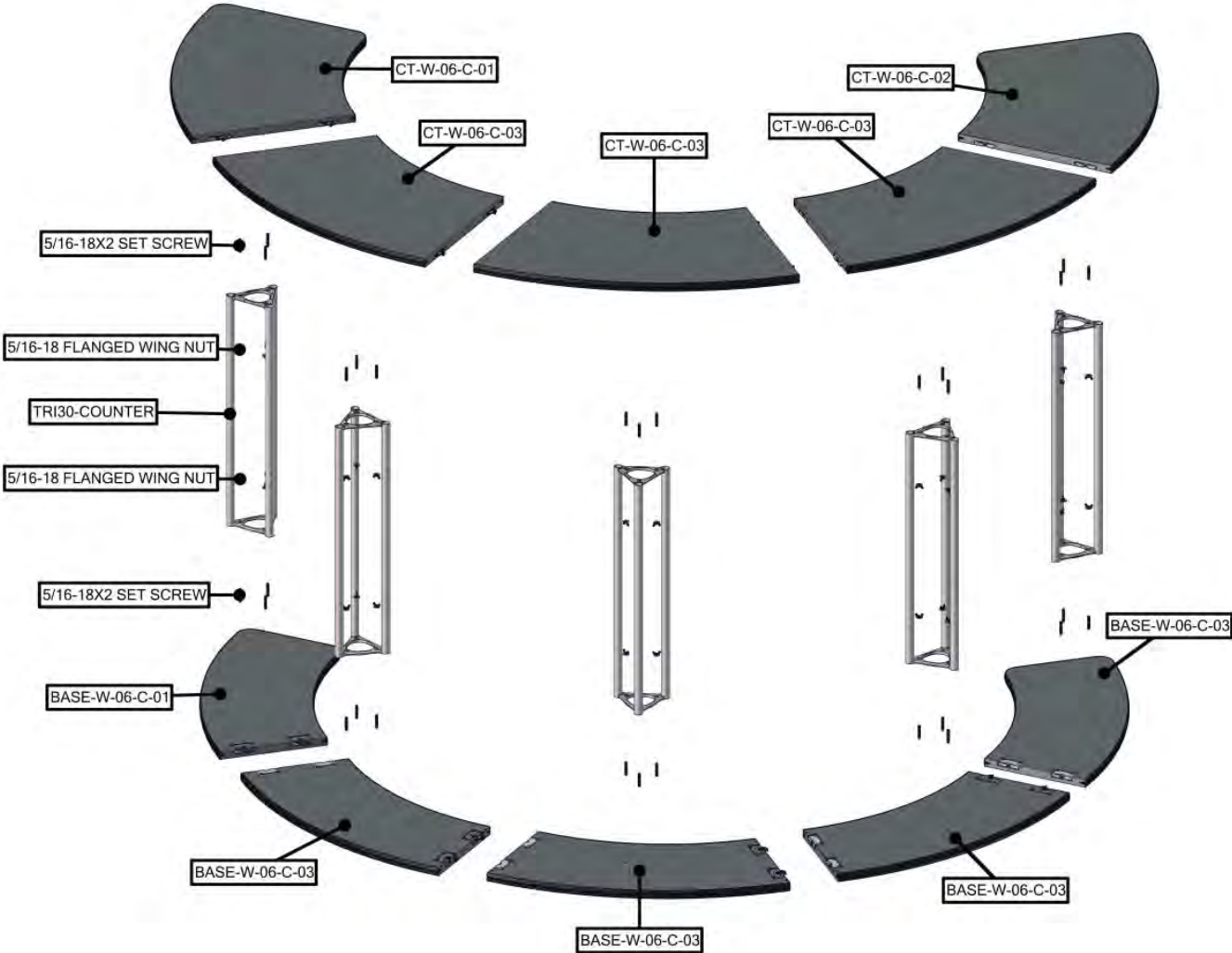
Graphics



W-06-C-05-G x1

# Exploded View

TFA-CBAR-04



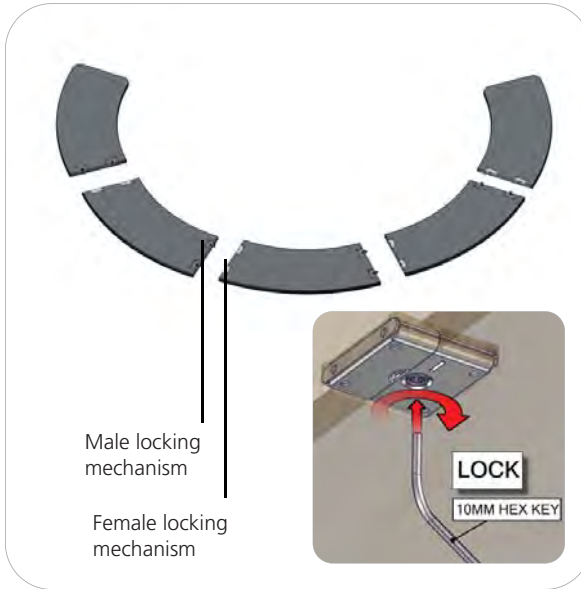
# Kit Assembly

## Step by Step

### Step 1.

Locate your counter bases and position them together. Lock them together using the locking mechanisms on the top side of the bases. You will need your L-shaped allen key to do so.

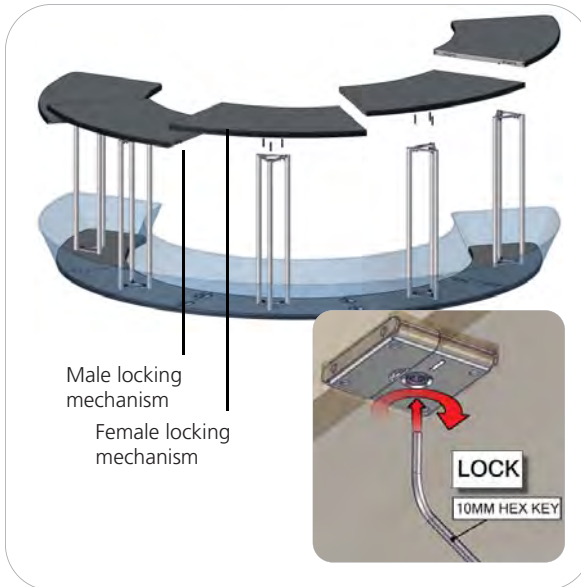
Reference the Exploded View for more information.



### Step 3.

Locate your counter tops and fastening hardware. Starting from one end, hand tighten the truss on to the counter tops with your T-Handle and lock the tops together using your L-shaped allen key.

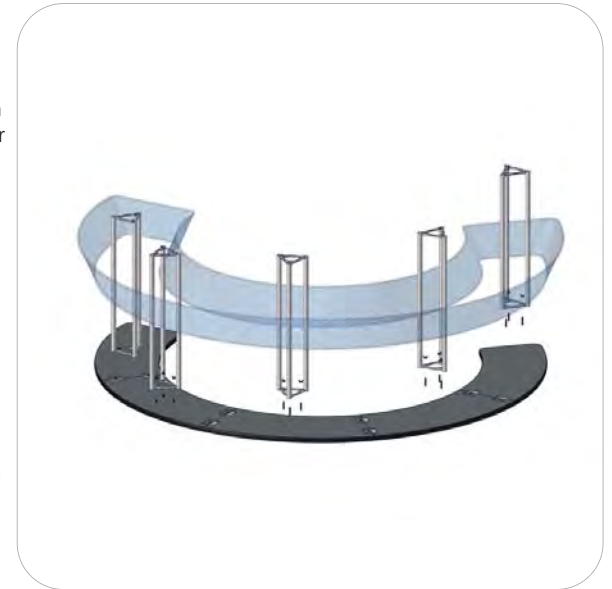
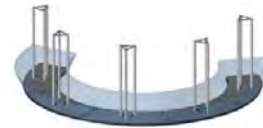
Reference the Exploded View for more information.



### Step 2.

Locate your triangular truss and fastening hardware. Hand tighten the truss onto the bases with your T-Handle allen key. Locate your silicone edge graphic. Push the silicone edges into the grooves of the counter base assembly.

Reference the Exploded View for more information.



### Step 4.

Pull up your silicone edge graphic. Push the silicone edges into the grooves of the counter top assembly. Zipper is located on center of inside curve for convenient counter access and storage.

Setup is complete.

