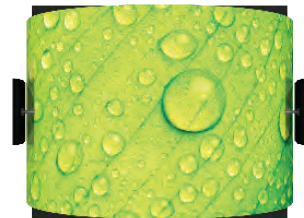


# Tension Fabric Accessory - TFA-AR1

## TFA-AR1

Tension Fabric Arches add architecture and design to any event or interior space! Easily create and define a stunning entryway, focal point or stage set at your next tradeshow or event. Formulate Arches combine pillowcase style stretch fabric graphics with 50mm curved aluminum tube frames; these super structures are made in the USA and collapse to a fraction of their size.



Top View

## features and benefits:

- State-of-the-art 50mm curved aluminum tube frame with sturdy internal spigots
- Two monitor mounts included, externally facing, adding a bonus opportunity to display messaging and branding
- Kit includes: one frame, one dye-sublimated zipper pillowcase graphic, two monitor mounts, and one wheeled molded OCE & OCH2 storage case
- Lifetime hardware warranty against manufacturer defects

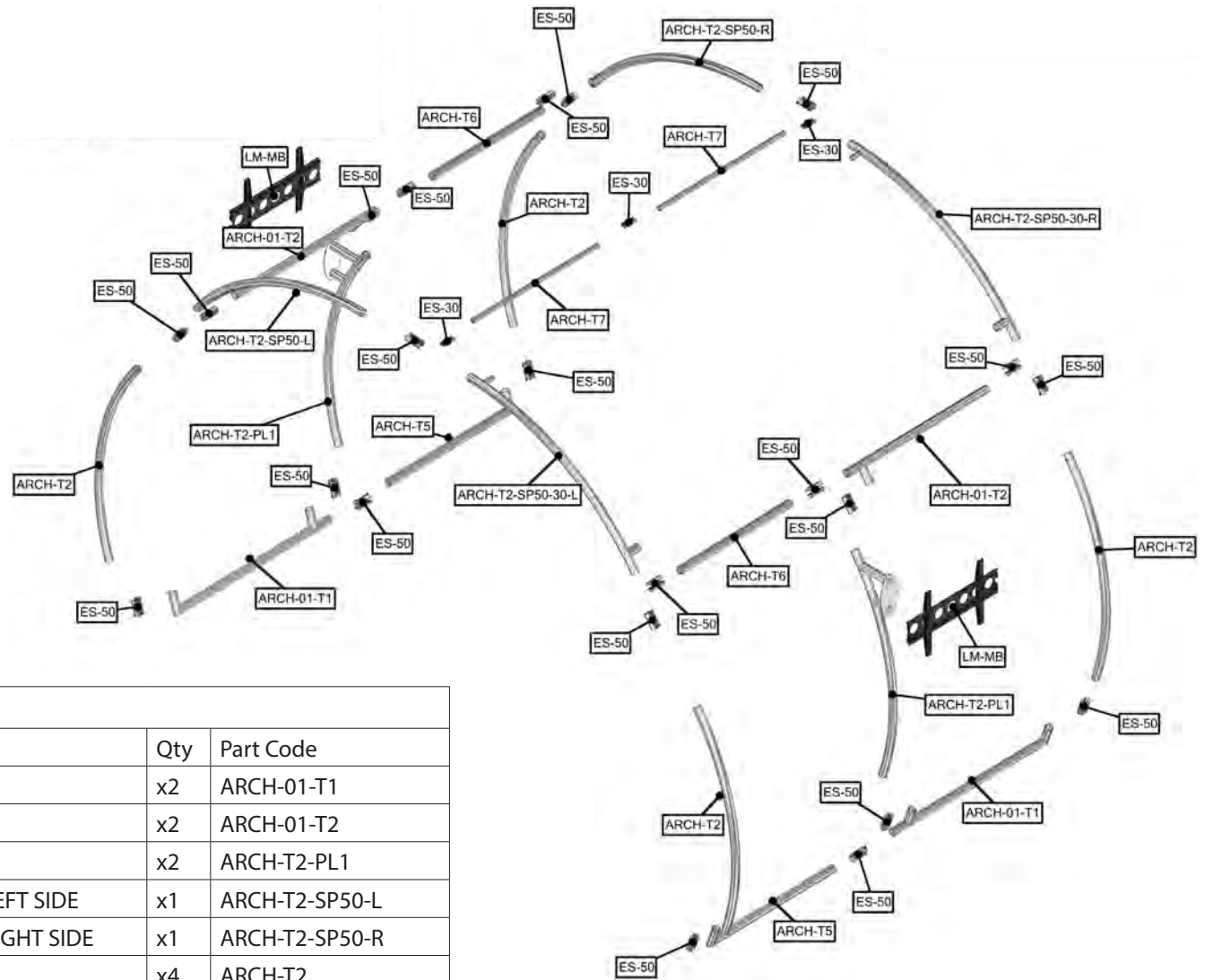
## dimensions:

Hardware	Graphic
<p>Assembled unit: 136.5625"w x 95.3125"h x 92"d 3469mm(w) x 2421mm(h) x 2337mm(d)</p> <p>Top of monitor mount: 64.1875"h (1630mm)</p> <p>Approximate weight (includes graphic): 116.5 lbs / 52.8 kg</p>	<p>Refer to related graphic template for more information.</p>
<p>Shipping</p> <p>Shipping dimensions: 1 OCE case: 18"l x 18"ww x 40" up to 66"h 457mm(l) x 457mm(w) x 1016mm(h) up to 1675mm(h) 1 OCH2 case: 52"l x 29"w x 15"h 1321mm(l) x 737mm(w) x 381mm(h)</p> <p>Approximate shipping weight (with case): 167.5 lbs / 76 kg</p>	

## additional information:

Graphic material:  
Dye-sublimated zipper pillowcase fabric

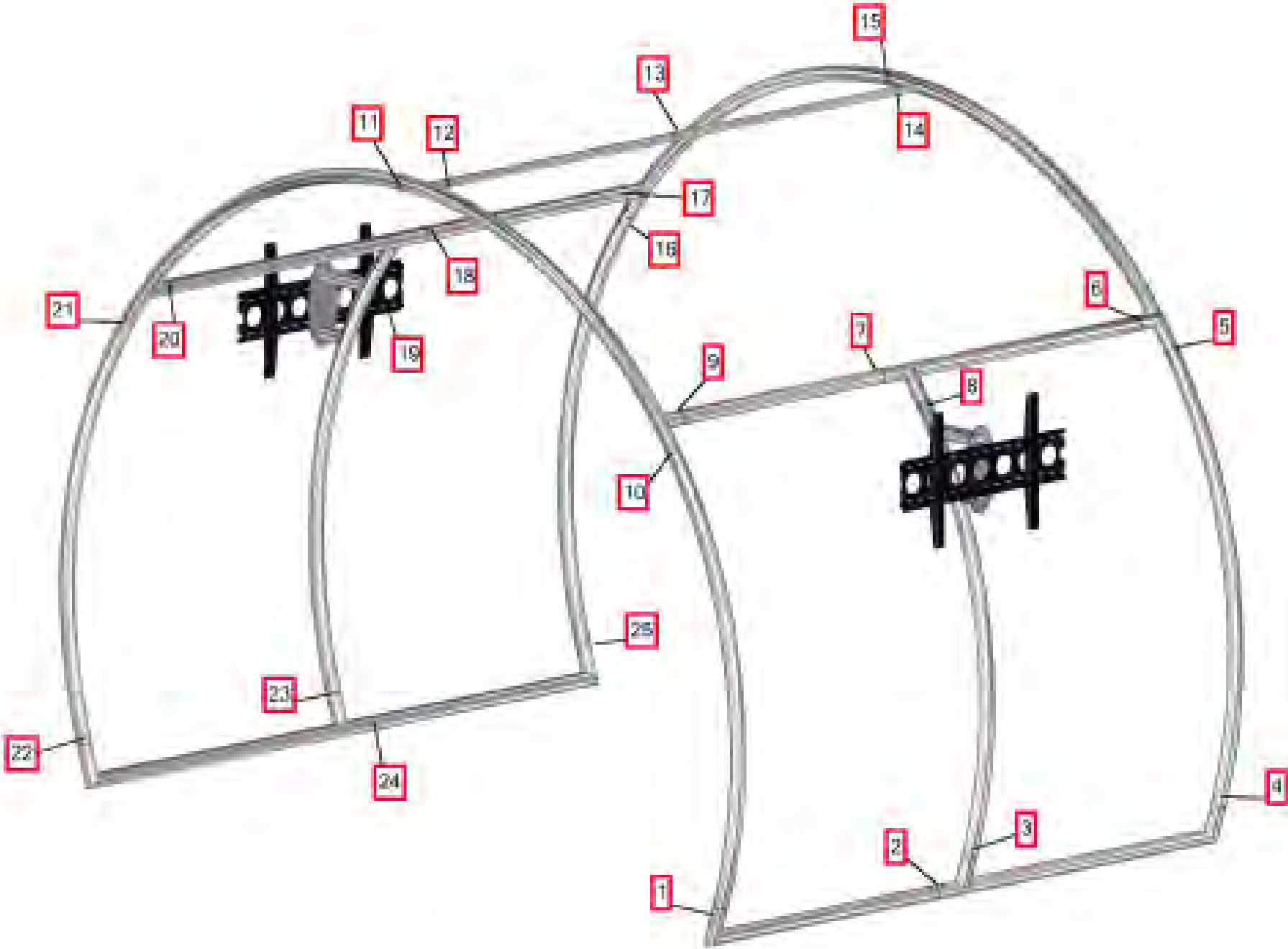
\*Monitors not included



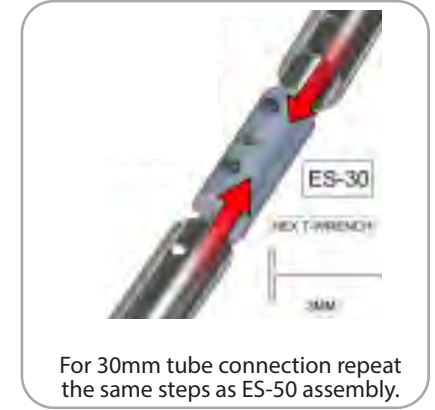
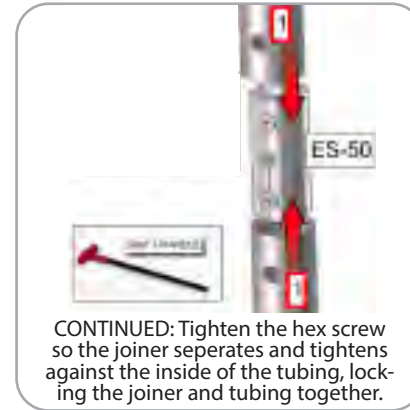
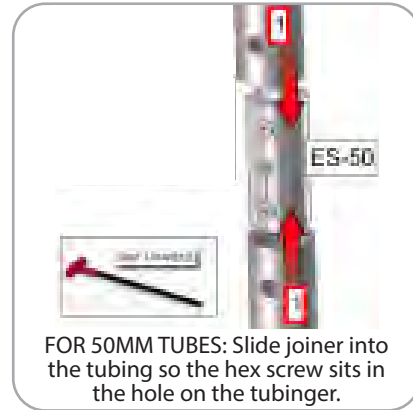
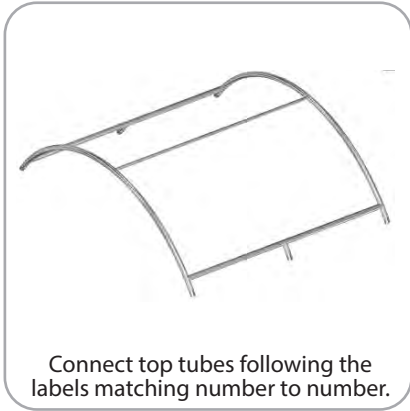
### Parts Included

Part Label	Qty	Part Code
50MM CORNER TUBE WITH 50MM SPREADER	x2	ARCH-01-T1
50MM SPREADER	x2	ARCH-01-T2
2" CURVED TUBE SECTION WITH PLATE IN	x2	ARCH-T2-PL1
2" CURVED TUBE SECTION WITH 50MM SPREADER LEFT SIDE	x1	ARCH-T2-SP50-L
2" CURVED TUBE SECTION WITH 50MM SPREADER RIGHT SIDE	x1	ARCH-T2-SP50-R
2" CURVED TUBE SECTION	x4	ARCH-T2
50MM CURVE WITH 50 AND 30MM SPREADERS RIGHT SIDE	x1	ARCH-T2-SP50-30-R
50MM CURVE WITH 50 AND 30MM SPREADERS LEFT SIDE	x1	ARCH-T2-SP50-30-L
50MM CORNER TUBE	x2	ARCH-T5
50MM X 921MM TUBE	x2	ARCH-T6
30MM X 1048MM SPREADER	x2	ARCH-T7
EXPANDING SPIGOT FOR 30MM TUBE	x2	ES-30
EXPANDING SPIGOT FOR 50MM TUBE	x23	ES-50
LARGE MONITOR BRACKET	x2	LM-MB

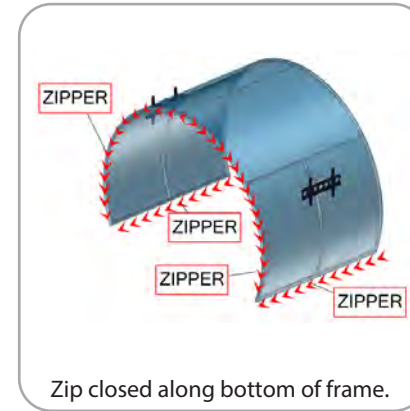
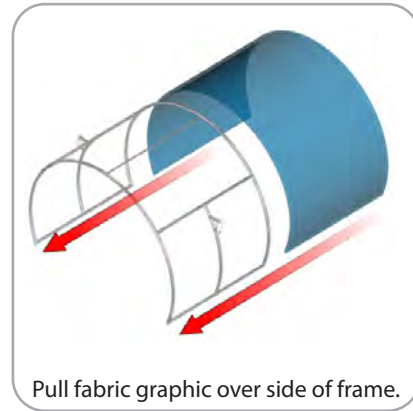
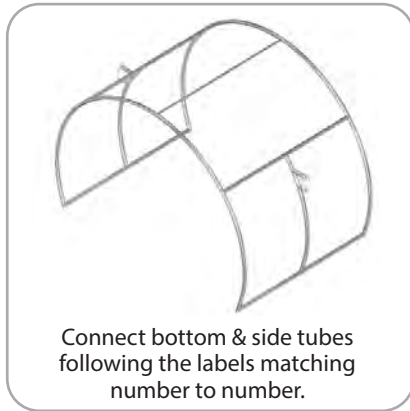
TFA-AR1 FRAME ASSEMBLY:



## STEP 1: ASSEMBLE FRAME



## STEP 2: ATTACH GRAPHIC



## STEP 3: MONITOR MOUNT

