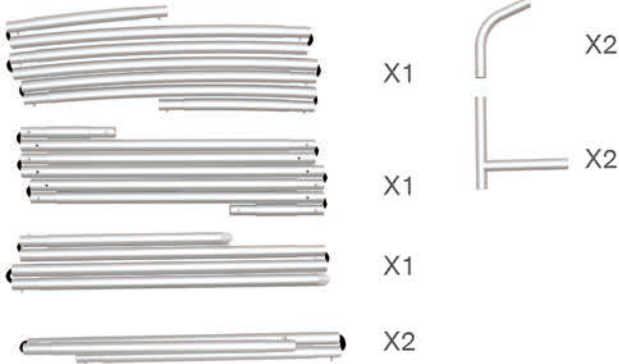


★ One Tool (Hex Wrench) 

STEPS

(1) Hardware

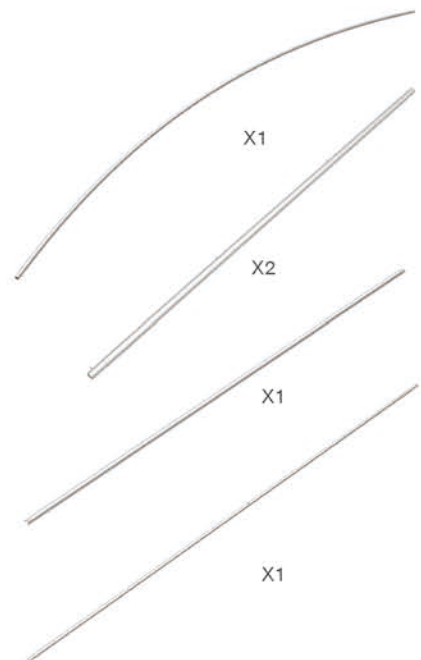
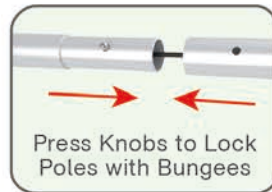


(2) Printed Graphic Fabric Banner (Optional)



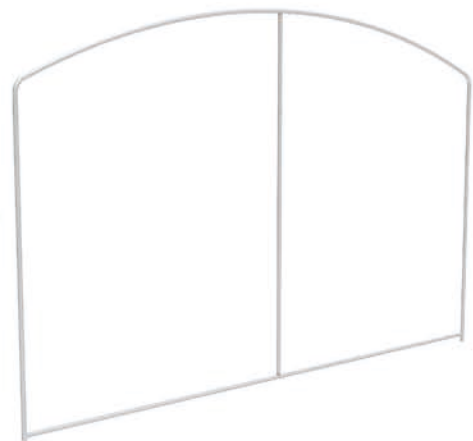
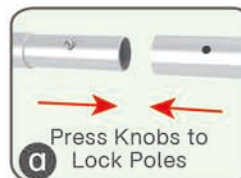
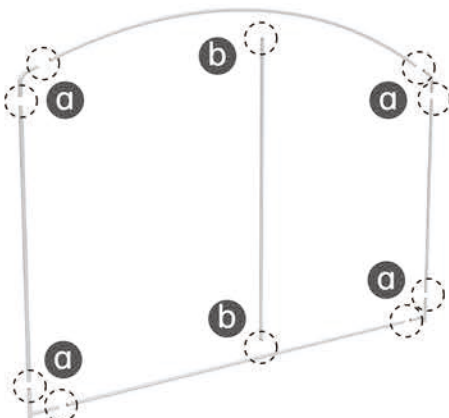
STEP 01

Connect to make long poles according to labelings.



STEP 02

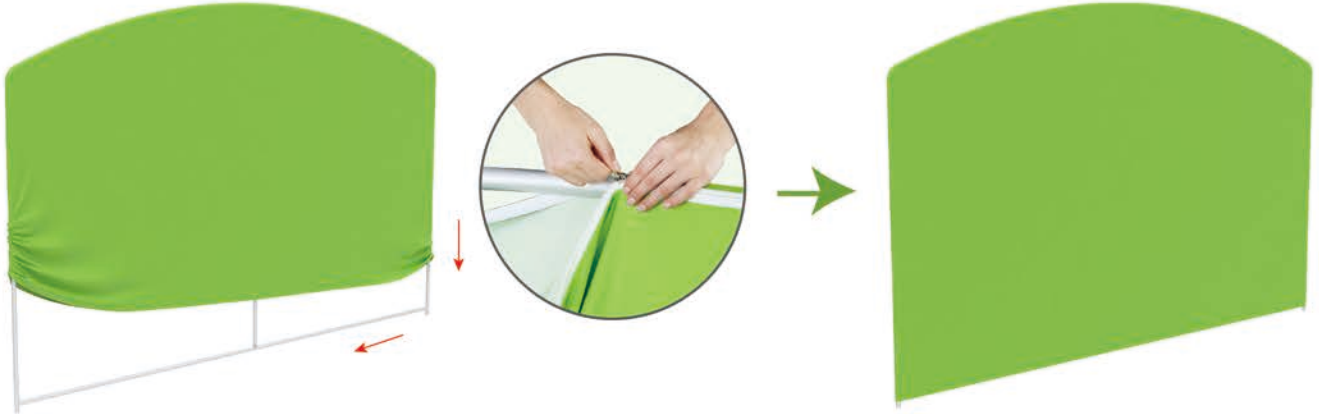
Connect long poles with corner poles according to labelings, connect support pole onto frame.



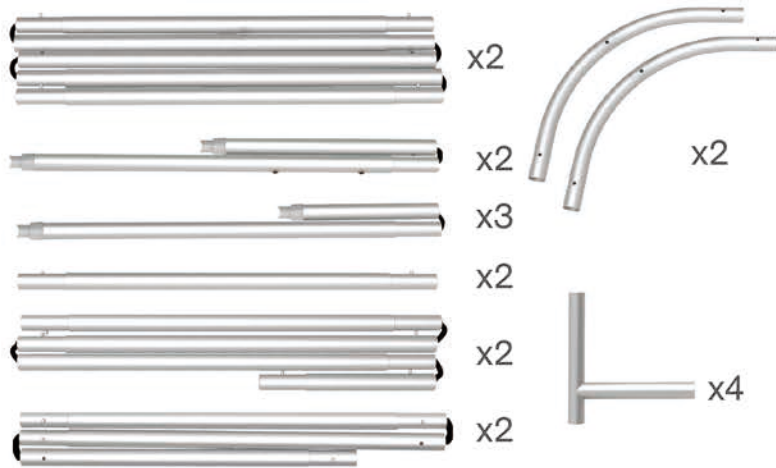
STEPS

STEP 03

Slide fabric banner on frame from top and zip up at bottom.



(1) Hardware

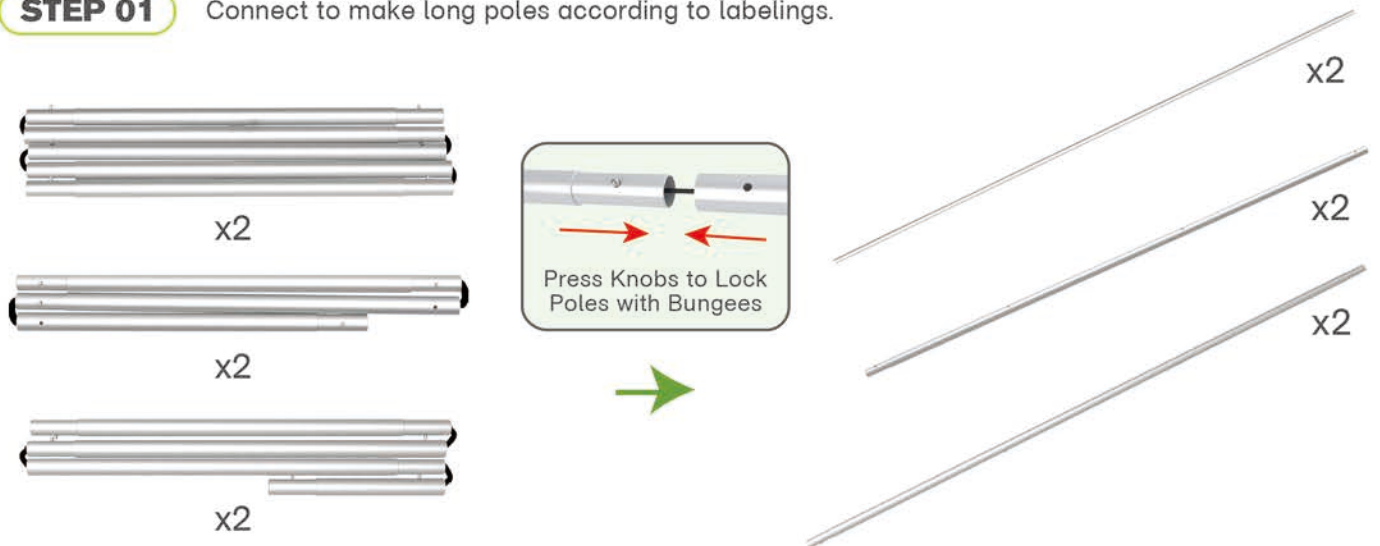


(2) Printed Graphic Fabric Banner (Optional)

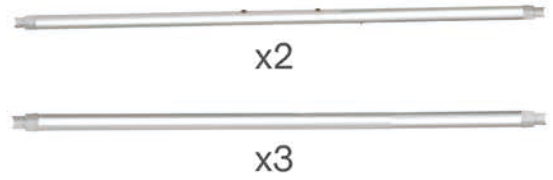
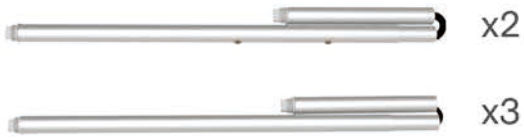


STEP 01

Connect to make long poles according to labelings.

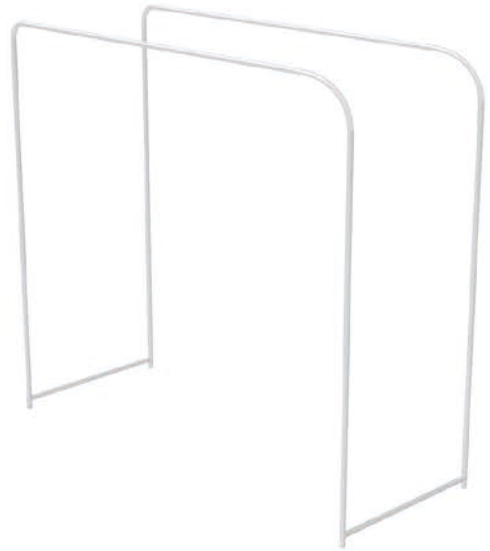
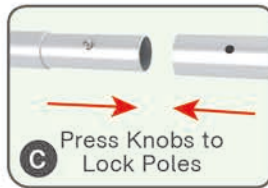
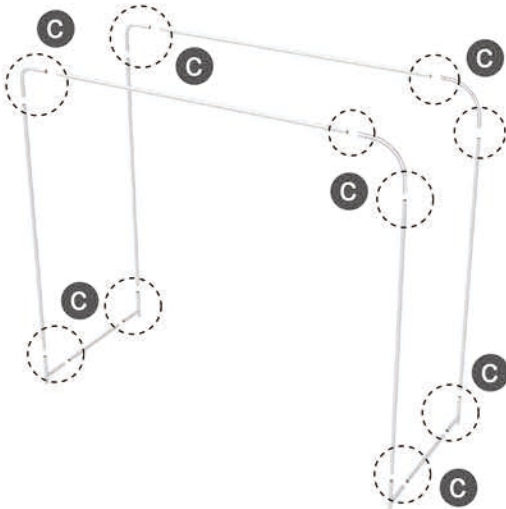


STEPS



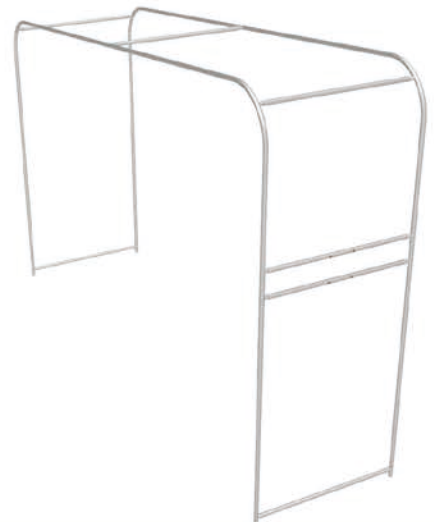
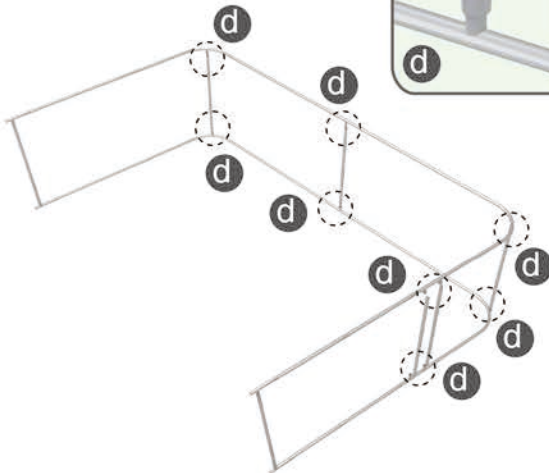
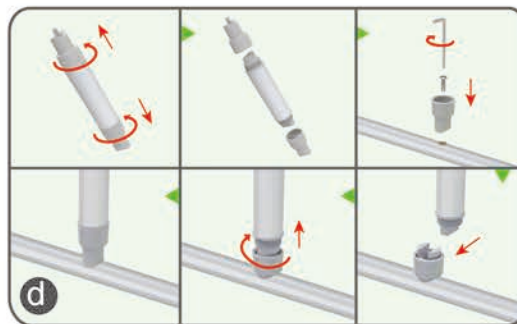
STEP 02

Connect long poles with corner poles according to labelings.



STEP 03

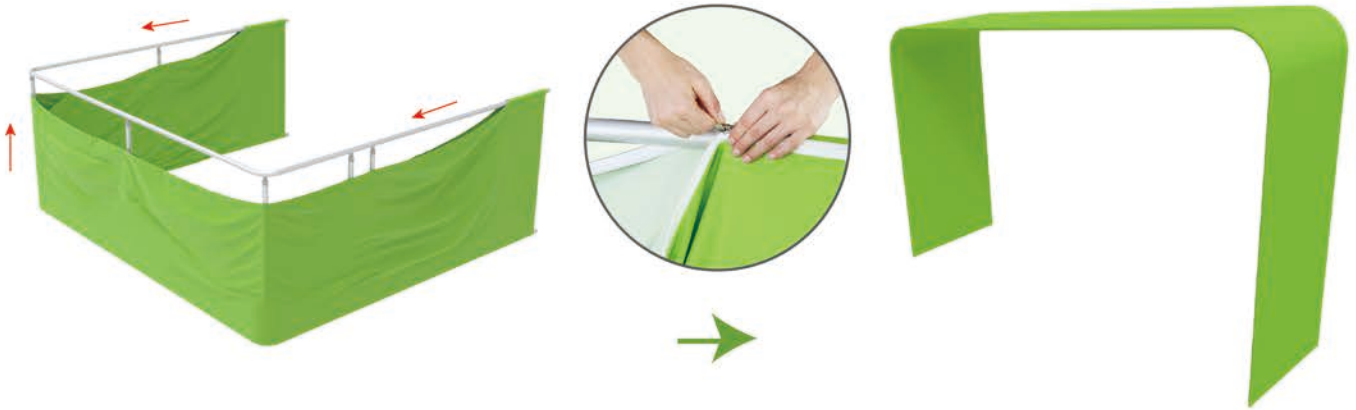
Connect cross bars onto frame.



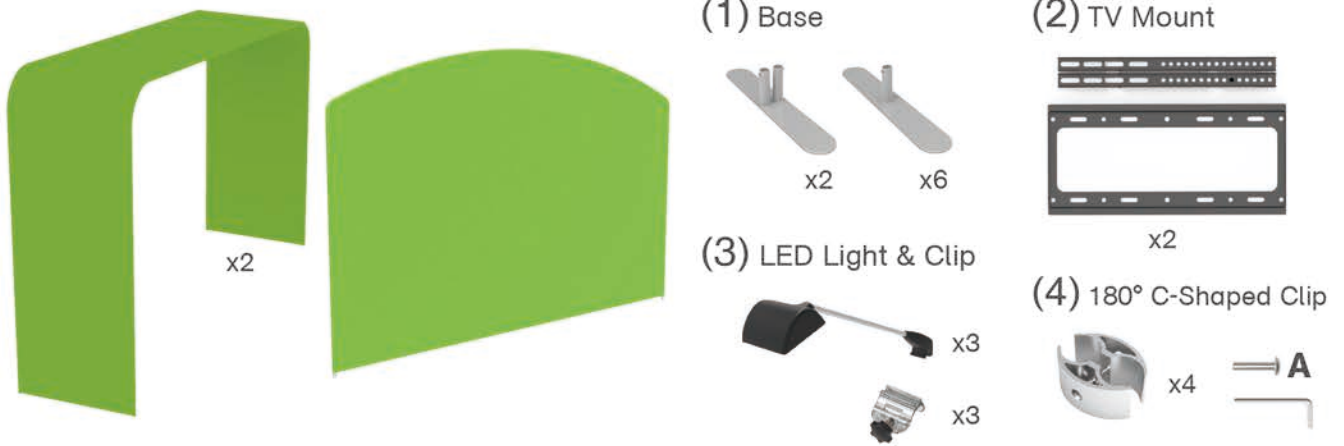
STEPS

STEP 04

Slide fabric banner on frame from bottom and zip up at top.

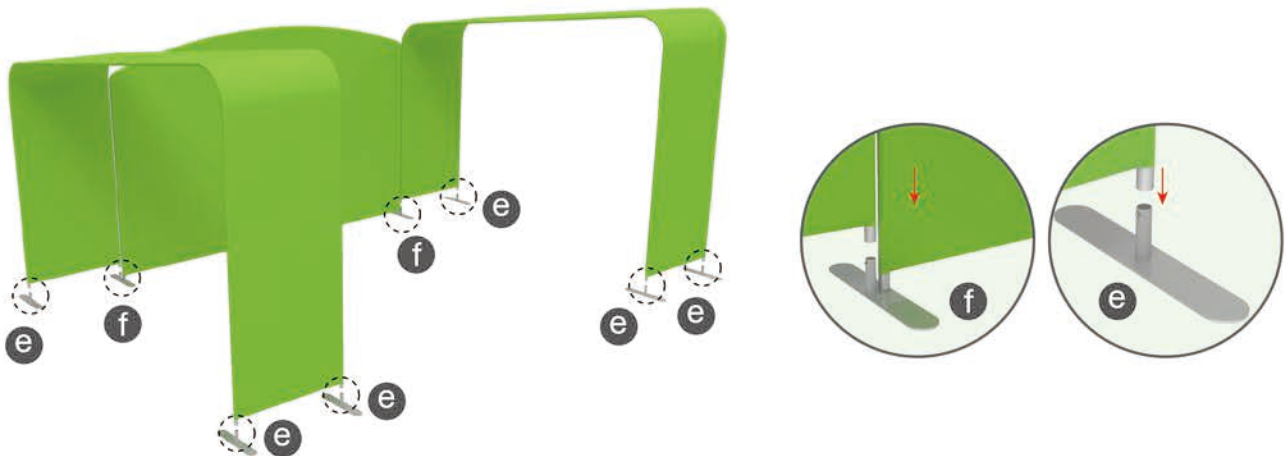


Booth Set Assembly



STEP 01

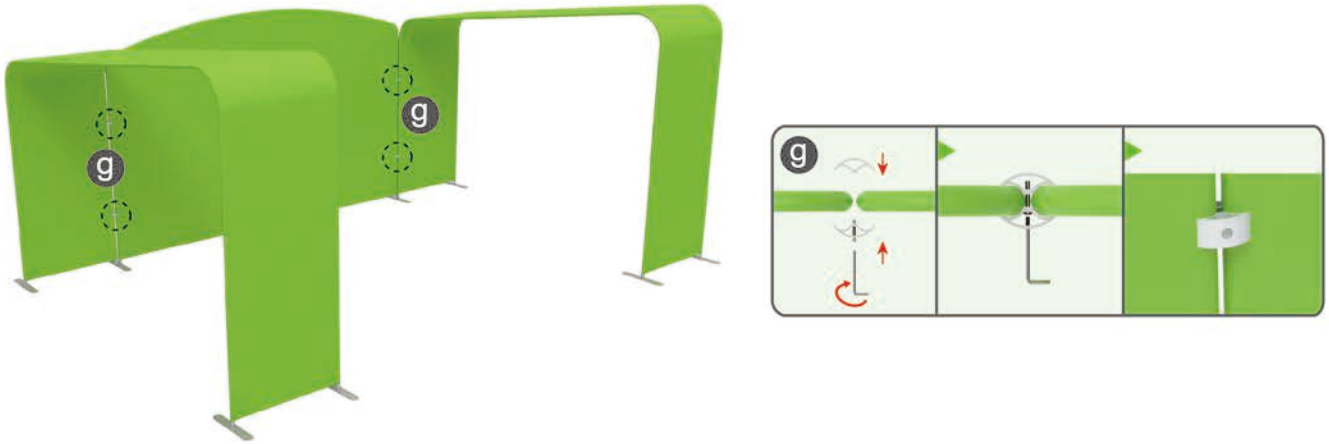
Insert display stands onto feet by pressing their knobs.



STEPS

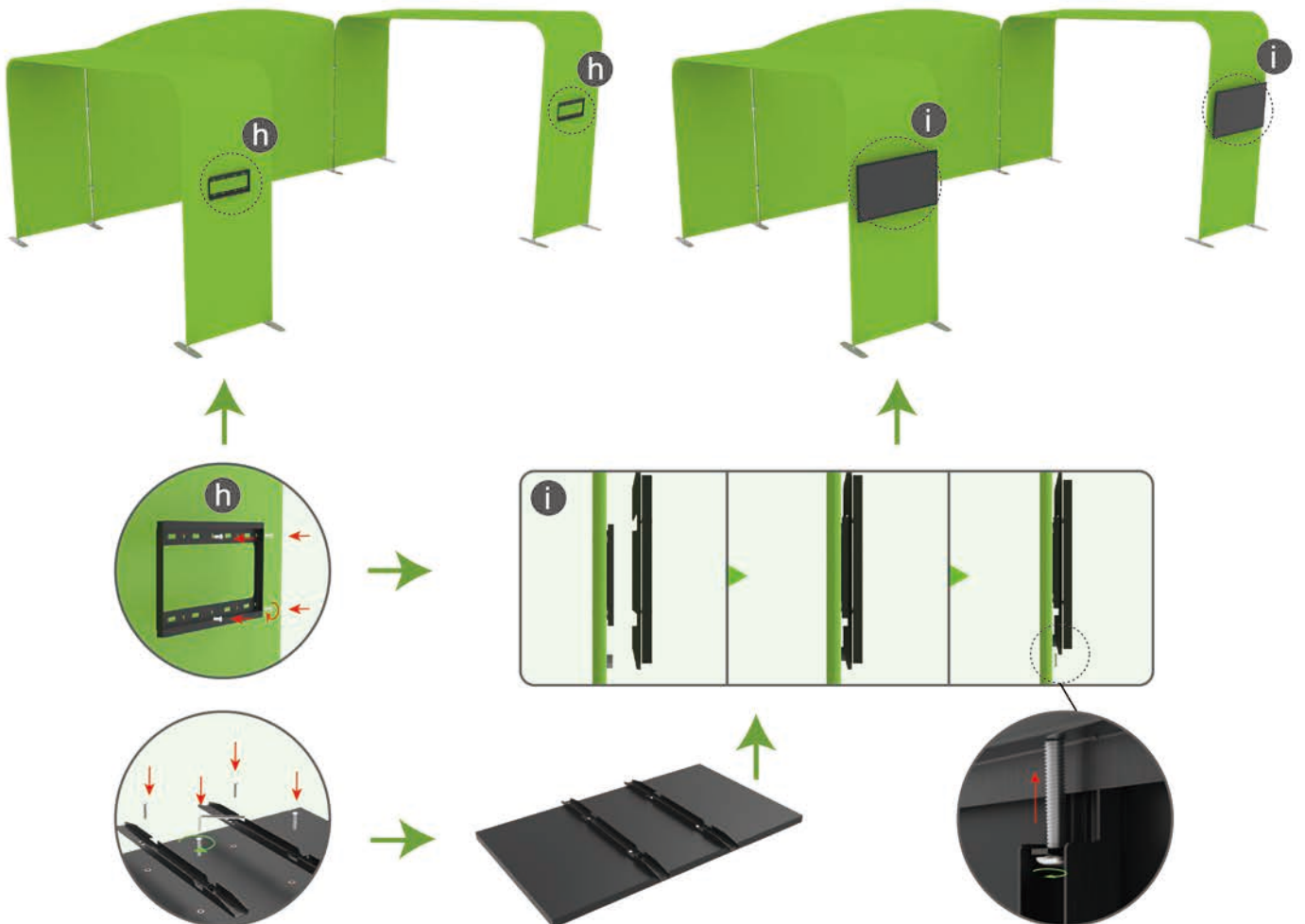
STEP 02

Interconnect display stands with C-shaped clips.



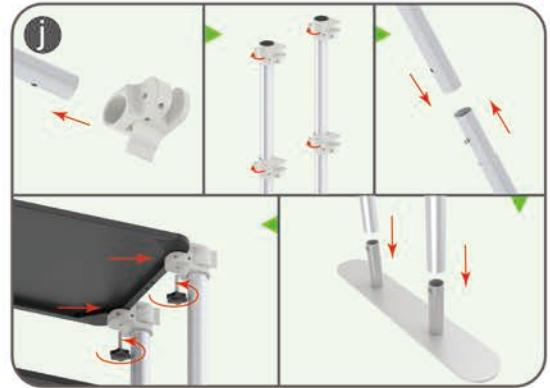
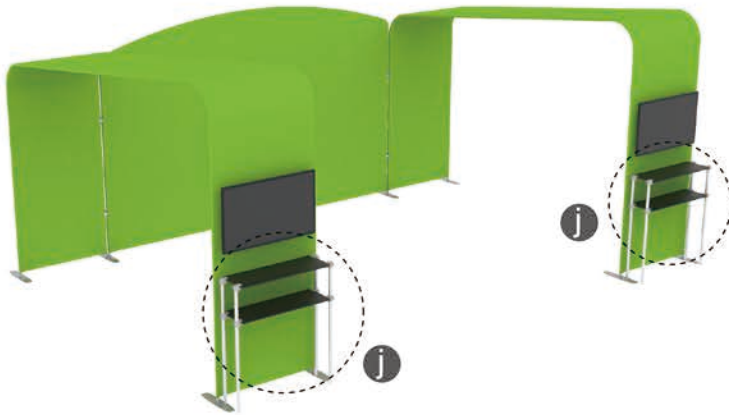
STEP 03

Screw TV mount with hex wrench.

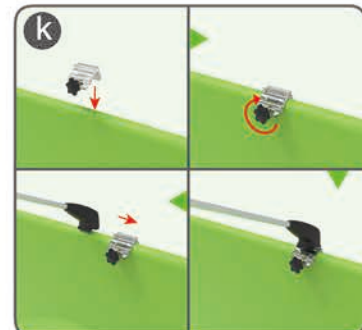
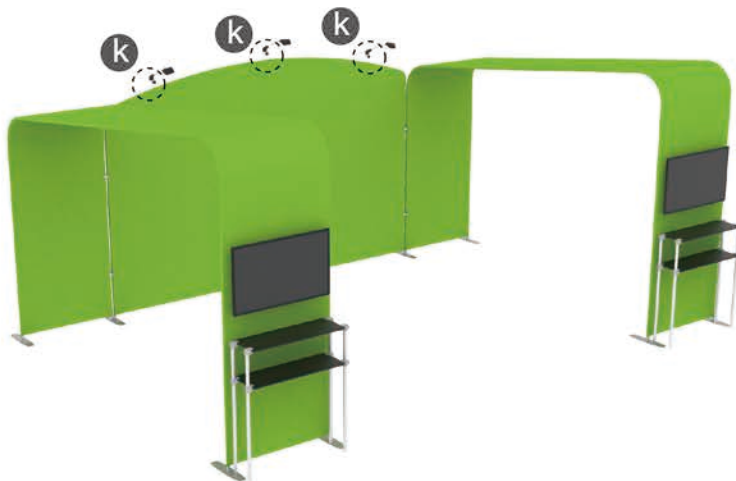


STEPS

STEP 04 Install shelving boards in position.



STEP 05 Screw light clips at top of display stands, slide lights onto them and adjust their direction.



20X20FT-BOOTH-06