

# FabLite Tension Fabric FL-TF-20-11

## FL-TF-20-11

FabLite 20ft displays have unique stylistic features and shapes, are portable and easy to assemble. The aluminum tube frame features snap-buttons and/ or spigot connections and zipper pillowcase fabric graphics. All displays come in portable, wheeled transit cases. Simply pull the pillowcase fabric graphic(s) over the frame and zip.



## features and benefits:

- Premium aluminum tube frames with spigot assembly
- Easy to store and ship
- Quick to set up
- Weighted feet for added stability
- Three zipper pillowcase fabric graphics
- Kit includes: two monitor kiosks featuring two medium monitor mounts, can hold 32-55" monitor / max weight 40lbs
- Lifetime limited hardware warranty against manufacturer defects

## dimensions:

### Hardware

Assembled unit:  
235.98" w x 96" h x 27.36" d  
5994mm(w) x 2438mm(h) x 695mm(d)

Approximate weight with cases:  
291 lbs / 132 kgs

### Shipping

Packing case(s):  
4 OCE Cases

Shipping dimensions:  
OCE: Expandable case length (l) may vary  
40" - 66" l x 18" h x 18" d  
1016mm-1677mm(l) x 458mm(h) x 458mm(d)

Approximate total shipping weight  
(includes cases & graphics):  
313 lbs / 142 kgs

# Included In Your Kit

Tools, Components,  
& Connectors



HEX KEY SET x1



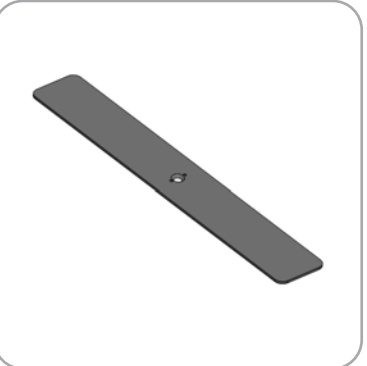
ES30 x24



ES30-90B x6



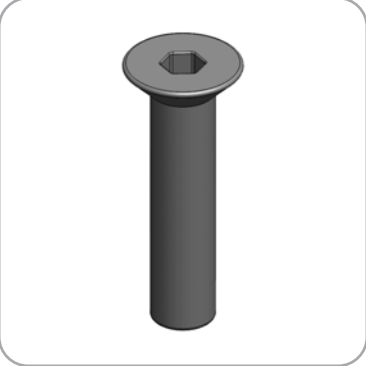
PLT-BP-LN114-S3-450 x2



PLT-BP-LN114-S2-450 x2



TCP-3030-R x2

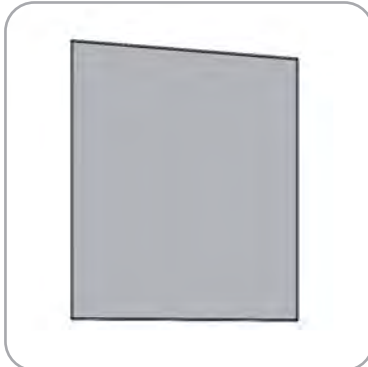


LN114-SCRW x2

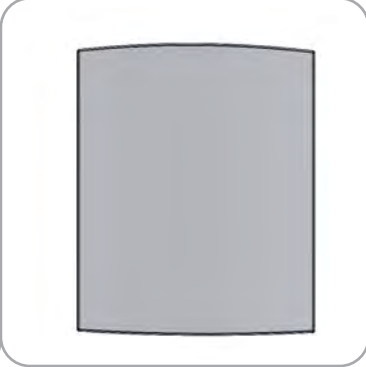


PM453-MK-M x2

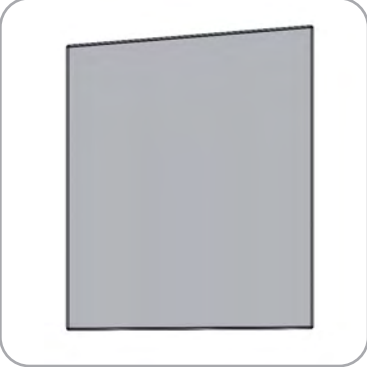
Graphics



FL-DS-20-08-A-G x1



FL-DS-20-08-B-G x1



FL-DS-20-08-C-G x1

# Included In Your Kit

Tubes



DS-20-03-A-T1 x2



DS-20-03-A-T2 x3



DS-20-03-A-T3 x1



DS-20-03-A-T4 x2



DS-20-03-A-T5 x1



DS-20-03-A-T6 x1



DS-20-03-B-T1 x4



DS-20-03-B-T2 x2



DS-20-03-B-T3 x2



DS-20-03-B-T4 x1



DS-20-03-B-T5 x1



DS-20-03-C-T1 x2



DS-20-03-C-T2 x3



DS-20-03-C-T3 x1



DS-20-03-C-T4 x2

# Included In Your Kit

Tubes



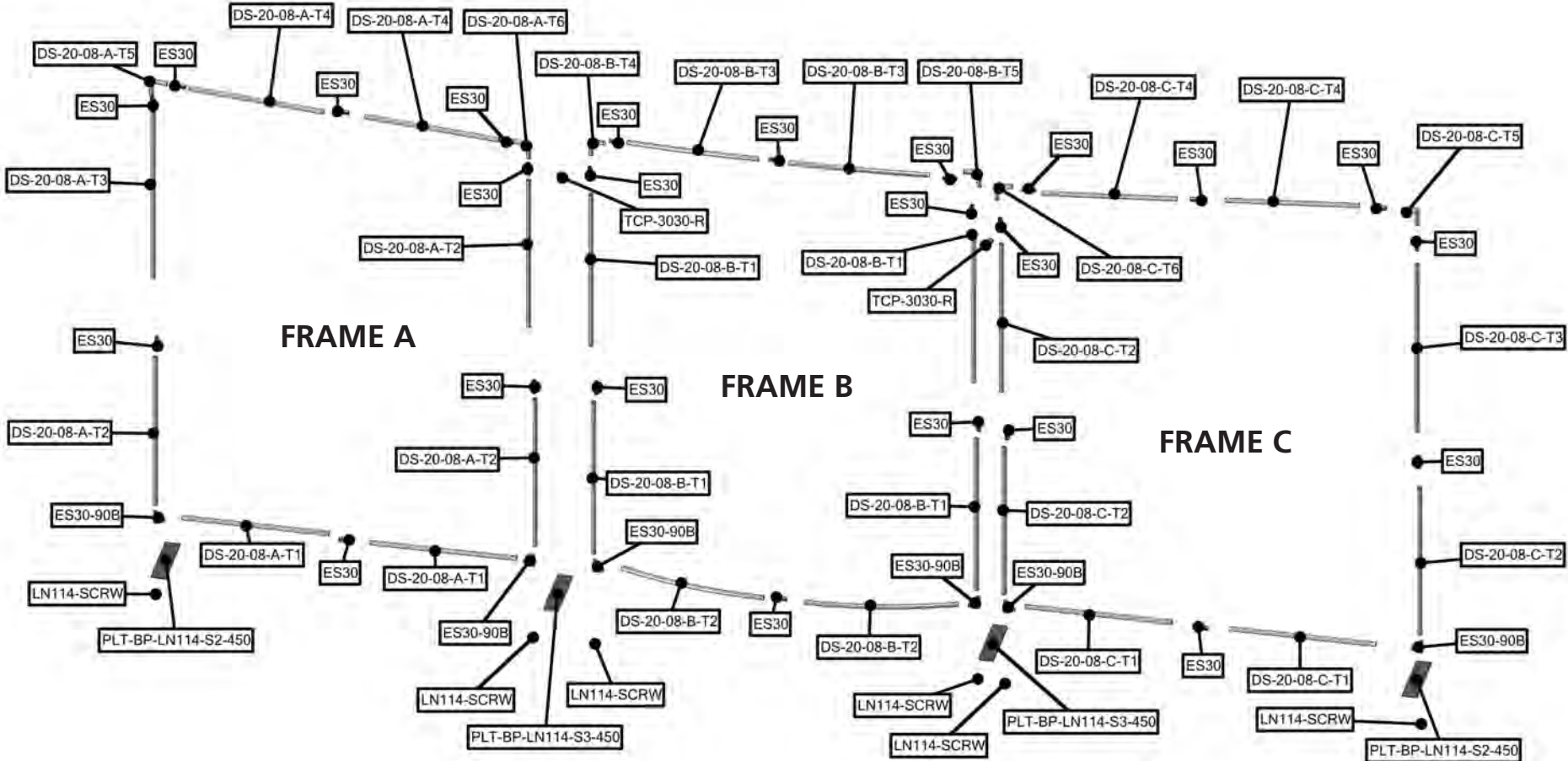
DS-20-03-C-T5 x1



DS-20-03-C-T6 x1

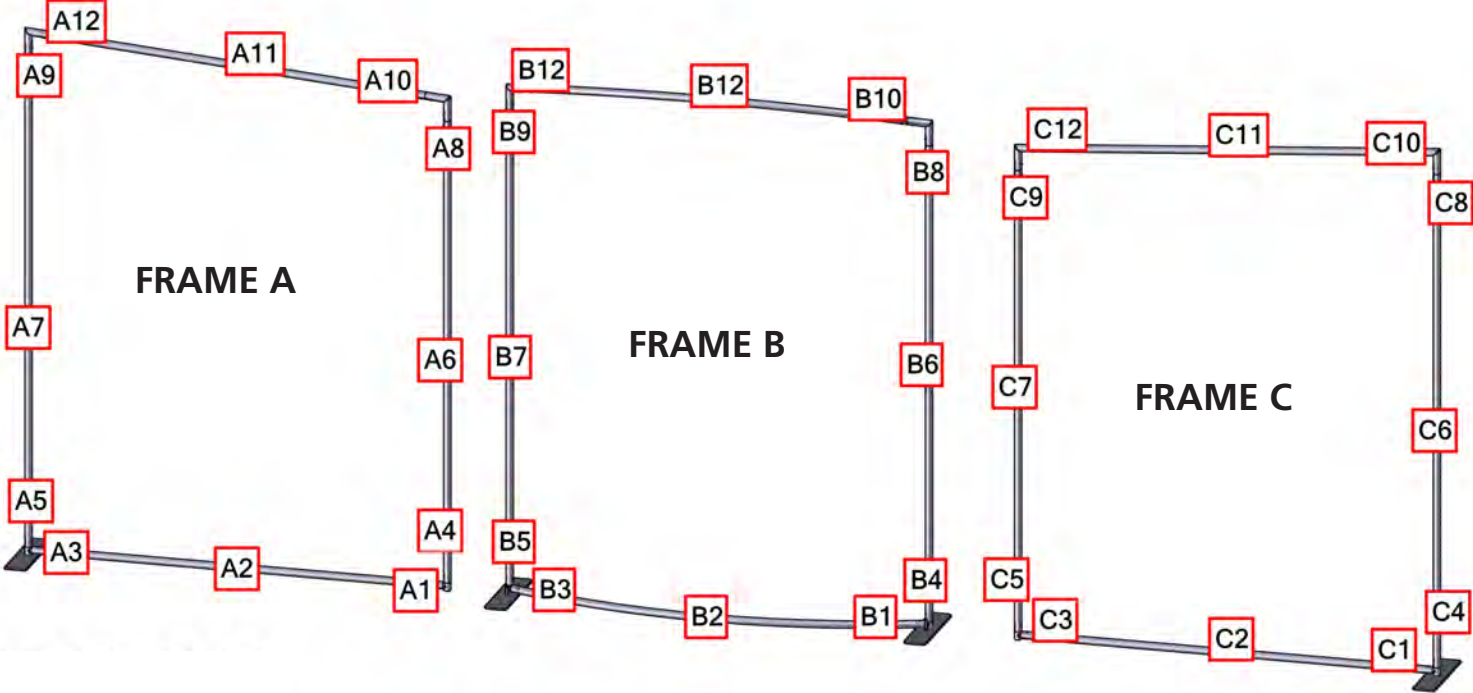
# Exploded View

FL-TF-20-11



# Labeling Diagram

FL-TF-20-11



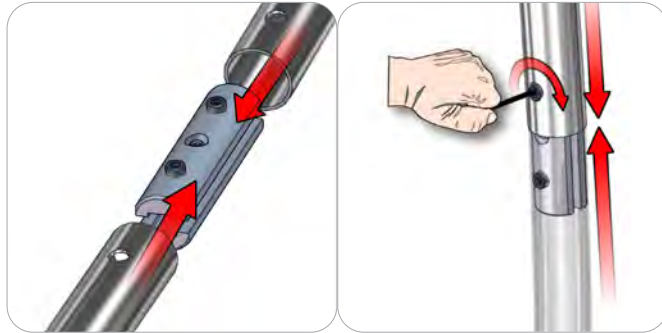
OVERVIEW



# Connection Methods

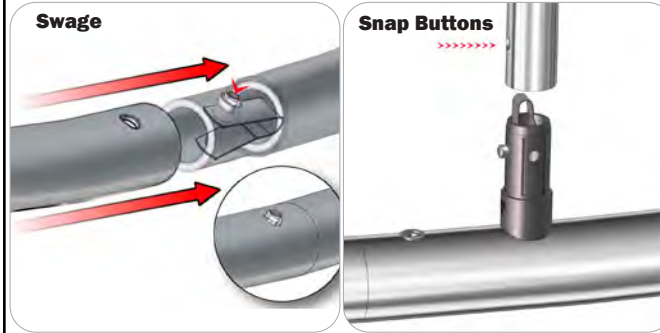
FabLite structures use a number of different yet simple connection methods. Your kit will include one or more of the connection methods shown below. Steps within the Kit Assembly will reference a specific method for each connection point.

## Connection Method 1: ES30 / ES50 / ES75



Compress the unlocked connector and slide one tube onto each end. Lock both screws carefully using your hex key tool. Be sure to lock securely, but do not overtighten.

## Connection Method 2: Snap Buttons & Swage



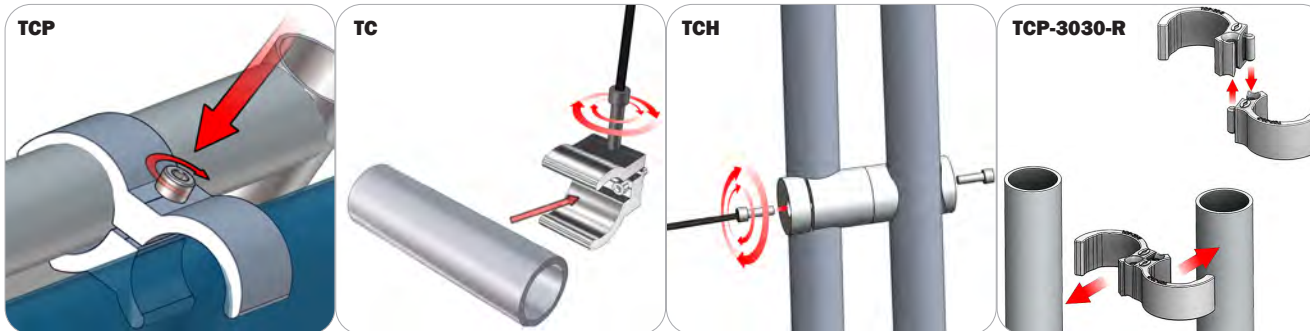
Locate the snap button on the connector or swage tube. Locate the hole on the corresponding tube. Press the snap button with your thumb and slide the tube and connector together so that the snap button snaps fully into the lock hole. To disassemble, press the snap button and pull apart.

## Connection Method 3: ES30-90B / ES30-I / ES30-C



Compress one unlocked end of the connector and slide it through one tube end. Compress the other end of the connector and slide the second tube on. Lock both screws carefully using your hex key tool. Be sure to lock securely, but do not overtighten.

## Connection Method 4: Tube Clamps



Be sure to fully assemble all frames before using clamps. With the clamp unlocked, place one tube of the first frame into the mouth of the clamp. Place the second tube (if applicable) into the second mouth of the clamp. With both frame's tubes in the clamp, be sure to lock securely, but do not overtighten.

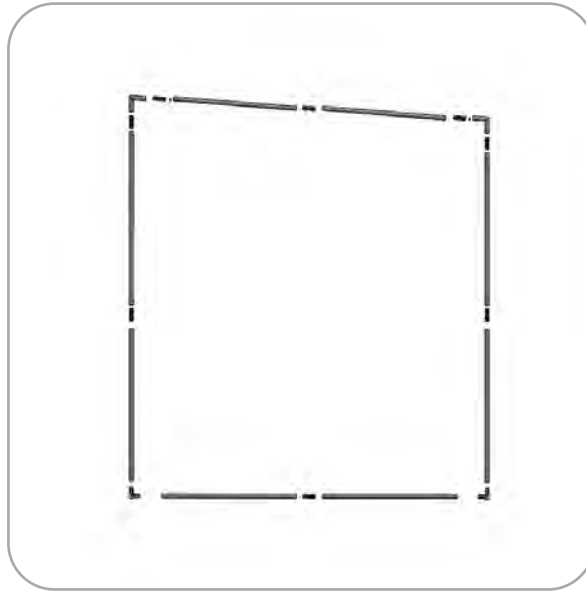
# Kit Assembly

## Step by Step

### Step 1.

Gather the components necessary to assemble Frame A. Assemble your frame following the order specified in the Labeling Diagram.

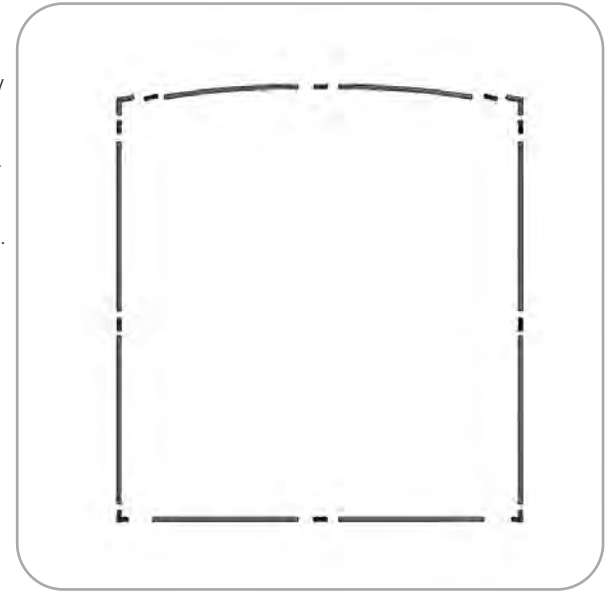
Please reference Connection Methods 1 and 3 for more details.



### Step 2.

Gather the components necessary to build Frame B. Assemble your frame following the order specified in the Labeling Diagram.

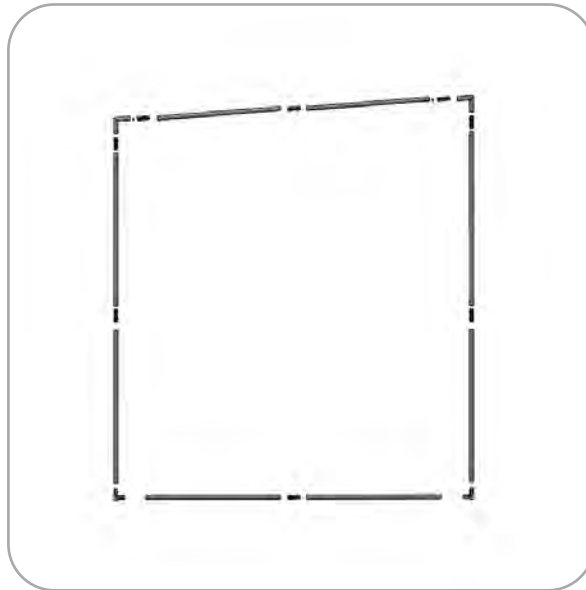
Please reference Connection Methods 1 and 3 for more details.



### Step 3.

Gather the components necessary to assemble Frame C. Assemble your frame following the order specified in the Labeling Diagram.

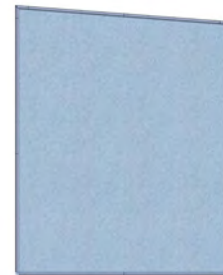
Please reference Connection Methods 1 and 3 for more details.



### Step 4.

Locate the fabric cover for Frame A. With the frame flat on the floor, pull the cover over the top of the frame. Zip the fabric cover to enclose the frame.

Zipper located on the bottom of Graphic A.





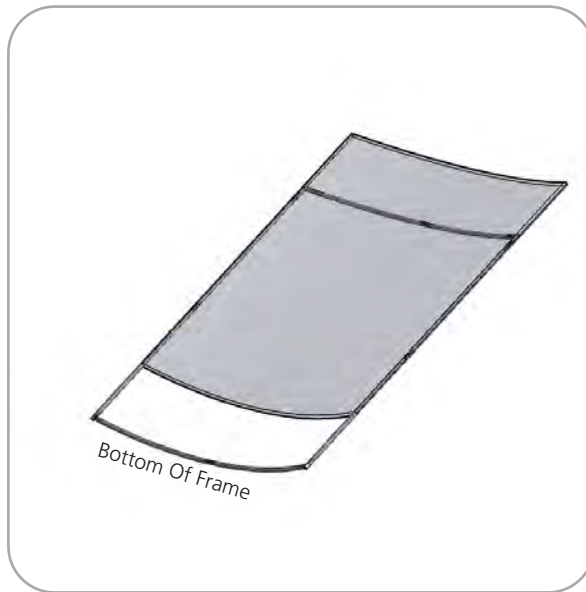
# Kit Assembly

## Step by Step

### Step 5.

Locate the fabric cover for Frame B. With the frame flat on the floor, pull the cover over the top of the frame. Zip the fabric cover to enclose the frame.

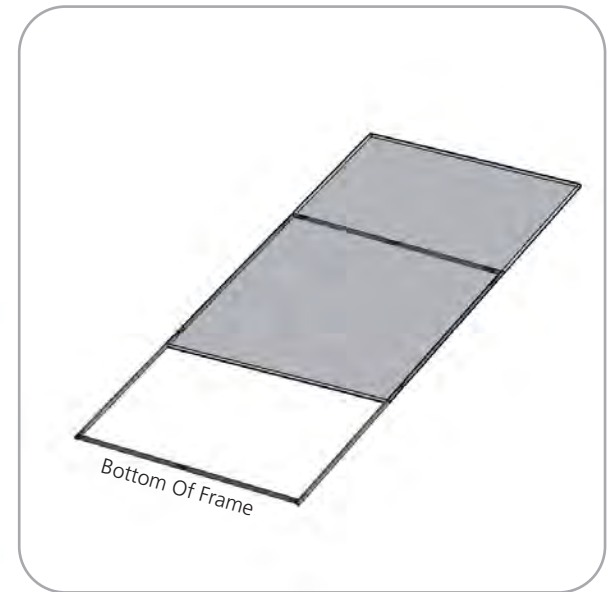
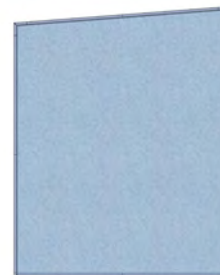
Zipper located on the bottom of Graphic B



### Step 6.

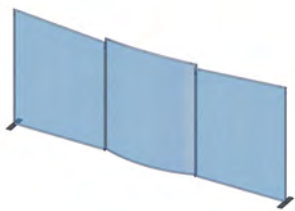
Locate the fabric cover for Frame C. With the frame flat on the floor, pull the cover over the top of the frame. Zip the fabric cover to enclose the frame.

Zipper located on the bottom of Graphic C



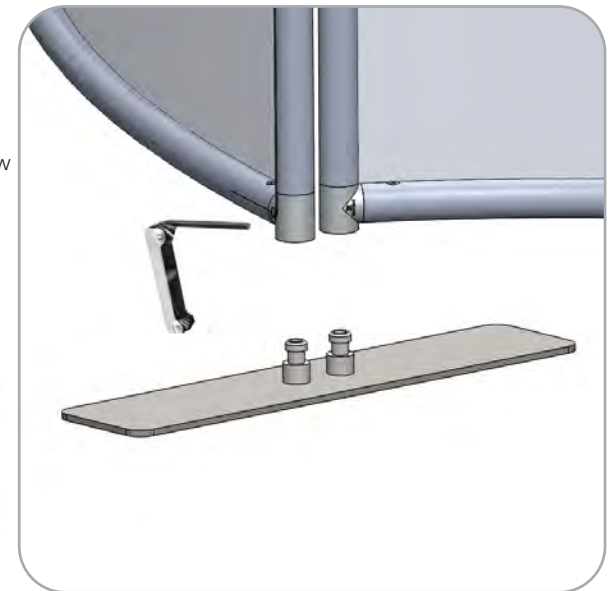
### Step 7.

Locate both PLT-BP-LN114-S2-450. Attach the foot to the bottom of the ES30-90B on the left side of Frame A and the right side of Frame C. Tighten the screw on the side of the ES30-90B to lock it in place.



### Step 8.

Locate the PLT-BP-LN114-S3-450. Attach the foot to the bottom of the ES30-90Bs located on either side of Frame B. Tighten the screw on the sides of the ES30-90Bs to lock them in place.



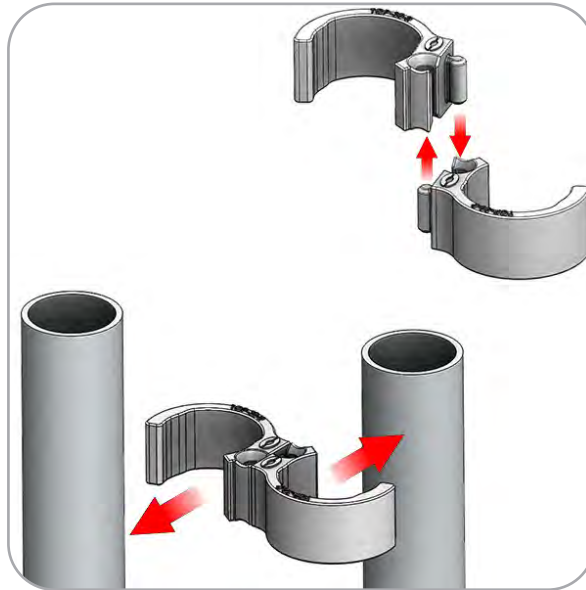
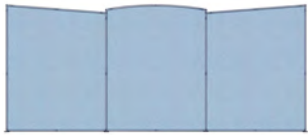
# Kit Assembly

## Step by Step

### Step 9.

Use the TCP-3030-R connector to brace both frames together at the top insides of both frames.

Please reference Connection Method 4 for more details.



# Monitor Kiosk

Kiosk displays are portable and easy to assemble. The aluminum extrusion frame features cam locks, tension glide connections and medium or large monitor mounts. This kiosk comes in a expandable shipping case.



## features and benefits:

- Premium aluminum extrusion frames with cam lock and tension glide assembly
- Easy to store and ship
- Quick to set up
- Weighted feet for added stability
- Kiosk Kit includes a medium or large monitor mount
- Lifetime limited hardware warranty against manufacturer defects

## dimensions:

Hardware	Shipping
<p>Assembled unit: Medium or Large</p> <p>25.59" w x 70.87" h x 25.59" d 650mm(w) x 1800mm(h) x 650mm(d)</p> <p>Approximate weight: (excludes cases &amp; monitor mount) Medium or Large</p> <p>40 lbs / 19 kgs</p>	<p>Packing case(s): Medium or Large 1 OCE Case</p> <p>Shipping dimensions: OCE: Expandable case length (l) may vary 40" - 66" l x 18" h x 18" d 1016mm-1677mm(l) x 458mm(h) x 458mm(d)</p> <p>Approximate total shipping weight: (includes cases &amp; monitor mount) Medium 83 lbs / 38 kgs Large 85 lbs / 39 kgs</p>

## additional information:

- Medium monitor mount can hold 32-55" monitor/ max weight 40lbs
- Monitor not included
- If shipping with backwall kit cases may vary

# Included In Your PM4S3 Monitor Kiosk

Tools, Components, Connectors & Extrusions



5MM ALLEN-T x1



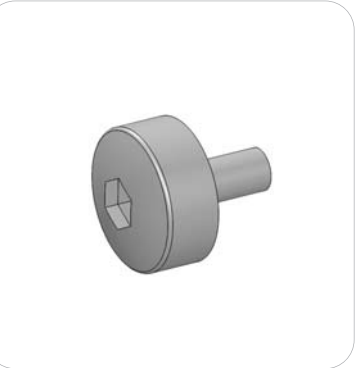
PM4S3-MM-FOOT-L x1



PM4S3-MM-FOOT-R x1



LN100 x6



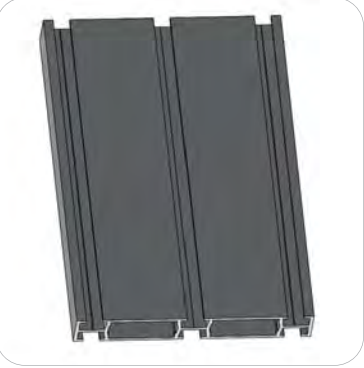
M5 THUMBSCREW x8



PH2-350-L-L x3



PH5-100-L-L x2



PM4S4-150 x2



PM4S3-600-A165-A165 x2



PM4S3-1200-A165-A165 x2



PH2-300-TG x2

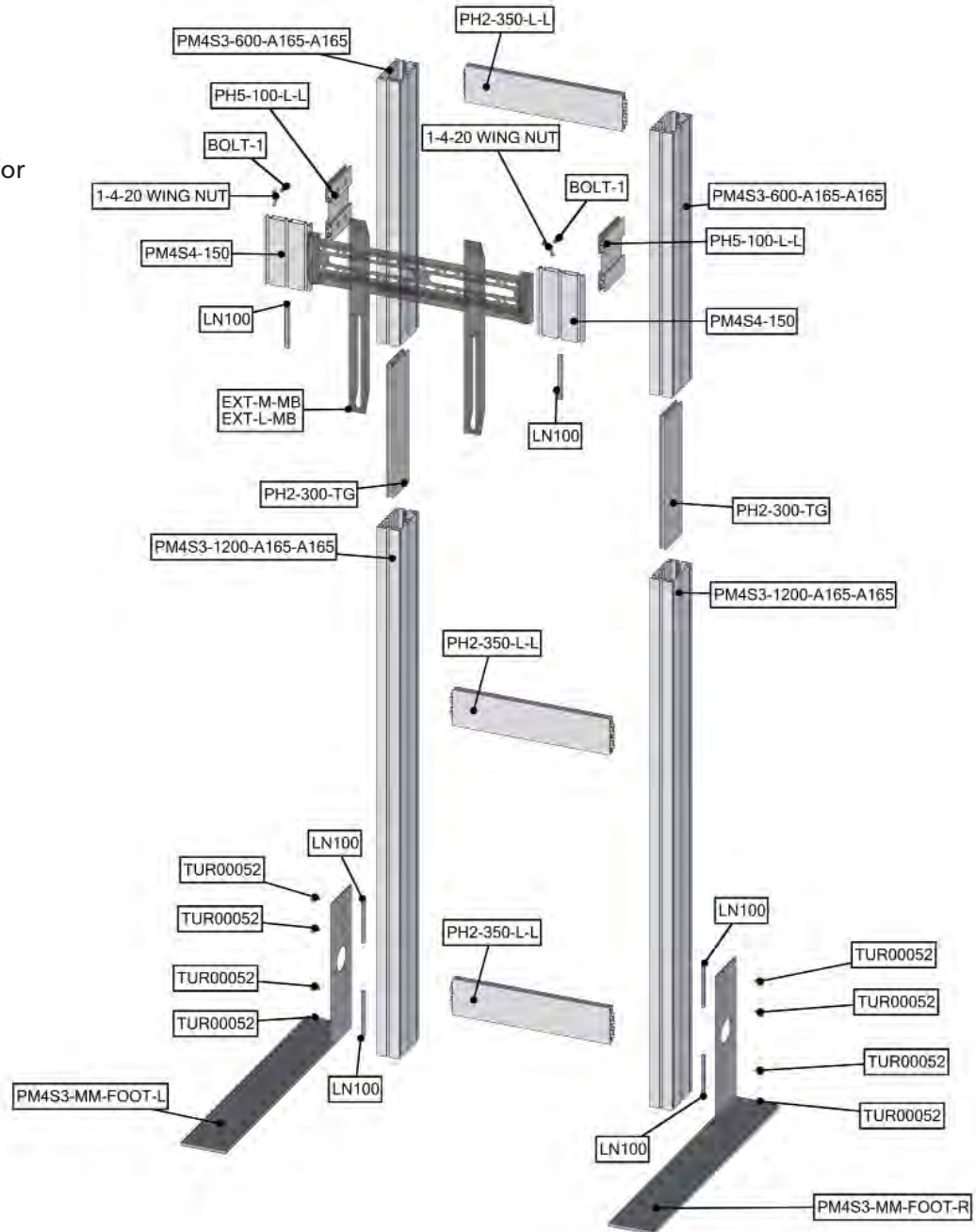


EXT-M-MB (or) EXT-LG-MB x1  
Fastening Hardware Included

# Exploded View

## PM4S3-MK-M PM4S3-MK-L

Please note:  
This is the the kiosk frame build for  
either medium or large kit.

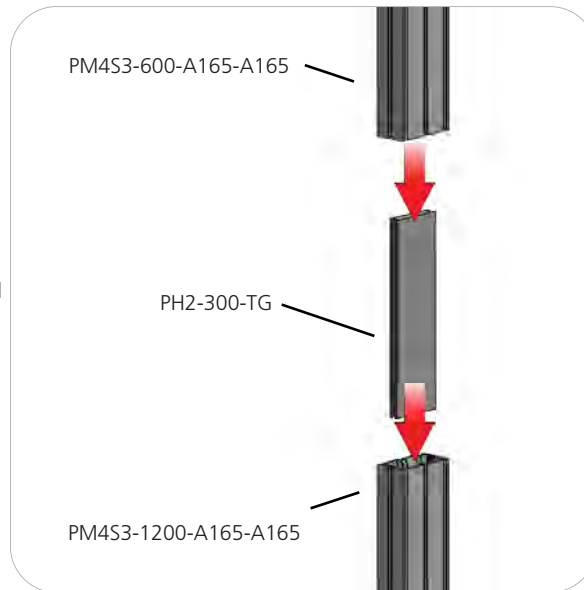


# Kit Assembly

## Step by Step

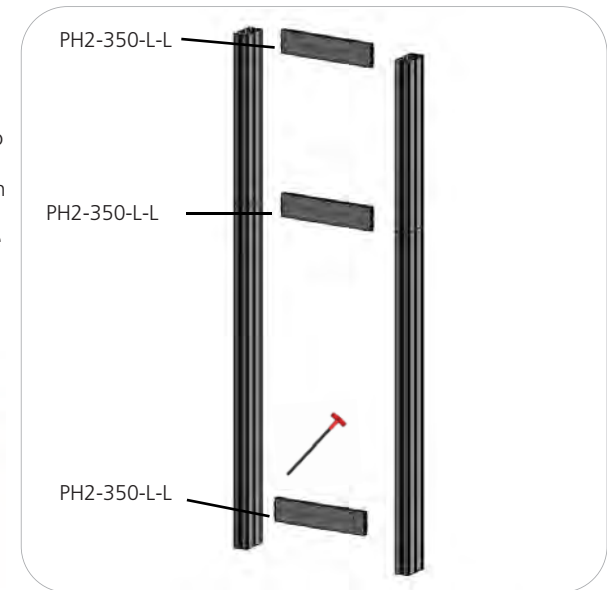
### Step 1.

Reference the image to the right. Locate the coded extrusions. Slide the PH2-300-TG connector into one end of the PM4S3-1200-A165-A165 so that it goes as deep as the internal pins. Connect the PM4S3-600-A165-A165 by sliding it over the PH2-300-TG. Repeat for this step for the second vertical.



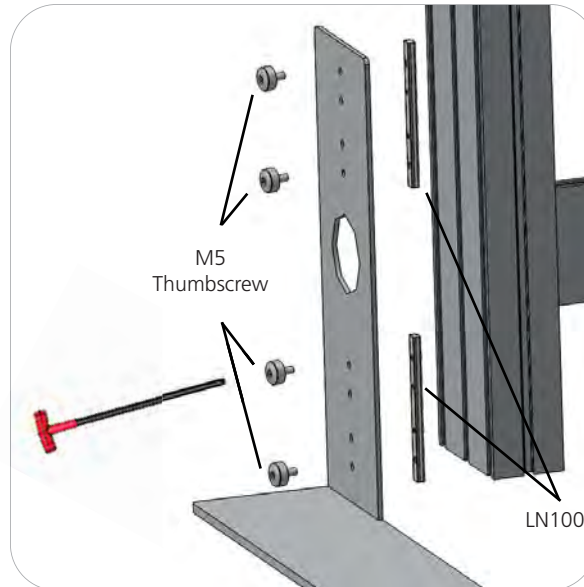
### Step 2.

Collect your extrusions and handtool. Using the provided handtool, lock the extrusions into the back channel of the three channel PM4S3 faces as shown in the image below. Be sure the locks face toward the back of the assembly and do not over tighten.



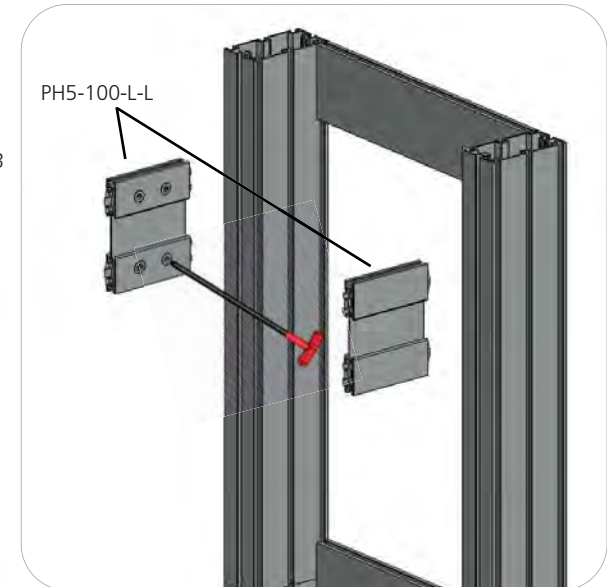
### Step 3.

Locate the M5 thumbscrews, LN100s, and the PM4S3-MM stabilizing bases. Slide the LN100s into the middle channel of the PM4S3. Hand screw the M5 thumbscrews through the base holes and into the LN100 holes. Use the handtool to securely fasten the M5 Thumbscrews. Do not over tighten.



### Step 4.

Measure from the ground to the center of the hole in your main kit's graphic. Lock the center of your PH5-100-L-L into the PM4S3 stacks at the dimension height of the graphic hole. Do not over tighten.



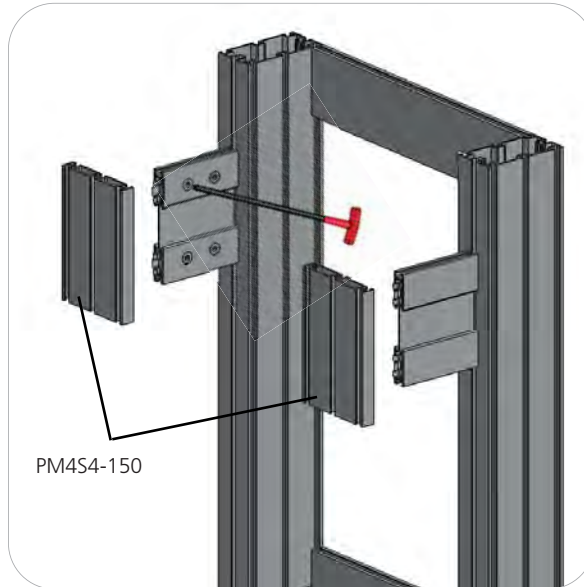
# Kit Assembly

## Step by Step

### Step 5.

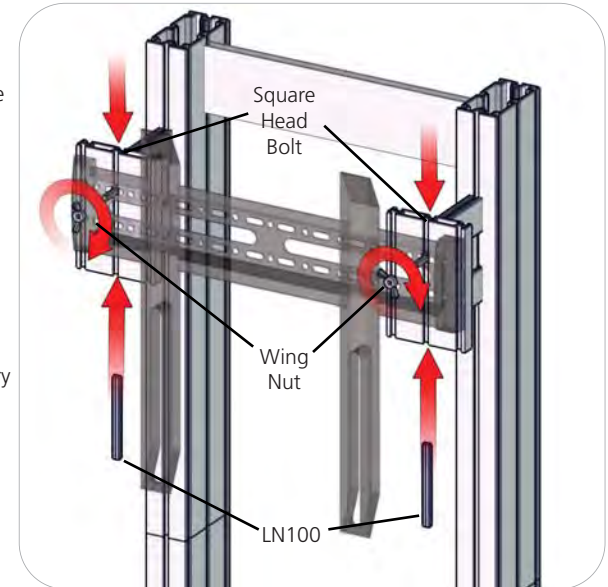
NOTE: Your main backwall assembly must be completed with graphics before completing this step of the monitor kit.

Lock your PM4S4-150 to the ends of the PH5-100-L-L. Do not over tighten.



### Step 6.

Set your monitor stand so that the extrusion arms fit through the graphic hole. Use the provided fastening hardware to complete your monitor stand. Slide the LN100 into the bottom center channel of the PM4S4-150. Next, slide the Square Head Bolt into the top center channel of the PM4S4-150. Apply the monitor bracket and spacer washer before fastening with the wingnut. Monitor mount may vary depending on size. Monitor not included.



### Step 7.

Setup is complete.



# Monitor Bracket Instructions

## Extrusion Channel Applications



### EXT-M-MB

Sizes: 32" - 55"

Max weight varies per application

**Assembled unit:**

16" w x 16" h x 1.4" d  
410mm (w) x 410mm (h) x 35mm (d)

**Shipping dimensions:**

24" l x 4" h x 4" d  
610mm (l) x 102mm (h) x 102mm (d)

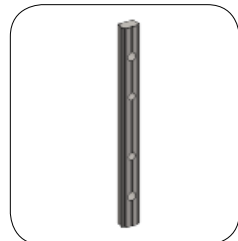
**Approximate total shipping weight:**

7 lbs / 3.2 kgs

**VESA:**

100 x 100 - 400 x 400mm

### Included hardware:



LN-100

x2



M5 x 10

LN-LCD-SCW

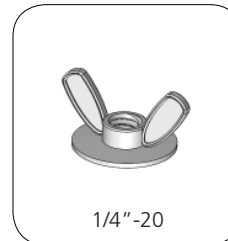
x2



1/4"-20 x 1"

BOLT-1

x2



1/4"-20

Flange Wingnut

x2