

FabLite Essential FL-E-20-04 Horizontal Curve

FL-E-20-04-HC

FabLite is a collection of sophisticated, ergonomically designed exhibit booths. Formulate combines state-of-the-art zipper pillowcase dye-sublimated fabric coverings with advanced lightweight aluminum structures to provide unique design, functionality, and style. The excellence of the Formulate line of displays, hanging structures and products is simply unmatched. Stretch fabric graphics are hand-sewn, durable and dry-cleanable.



features and benefits:

- State-of-the-art 30mm aluminum tubing with push-button connectors
- Easy to store and ship
- Frame can also be configured* as a standard 10' backwall (*requires additional 10' graphic purchase)
- Kit includes: one frame, one dye-sublimated zipper pillowcase graphic, and two wheeled molded OCL storage cases
- Lifetime hardware warranty against manufacturer defects

dimensions:

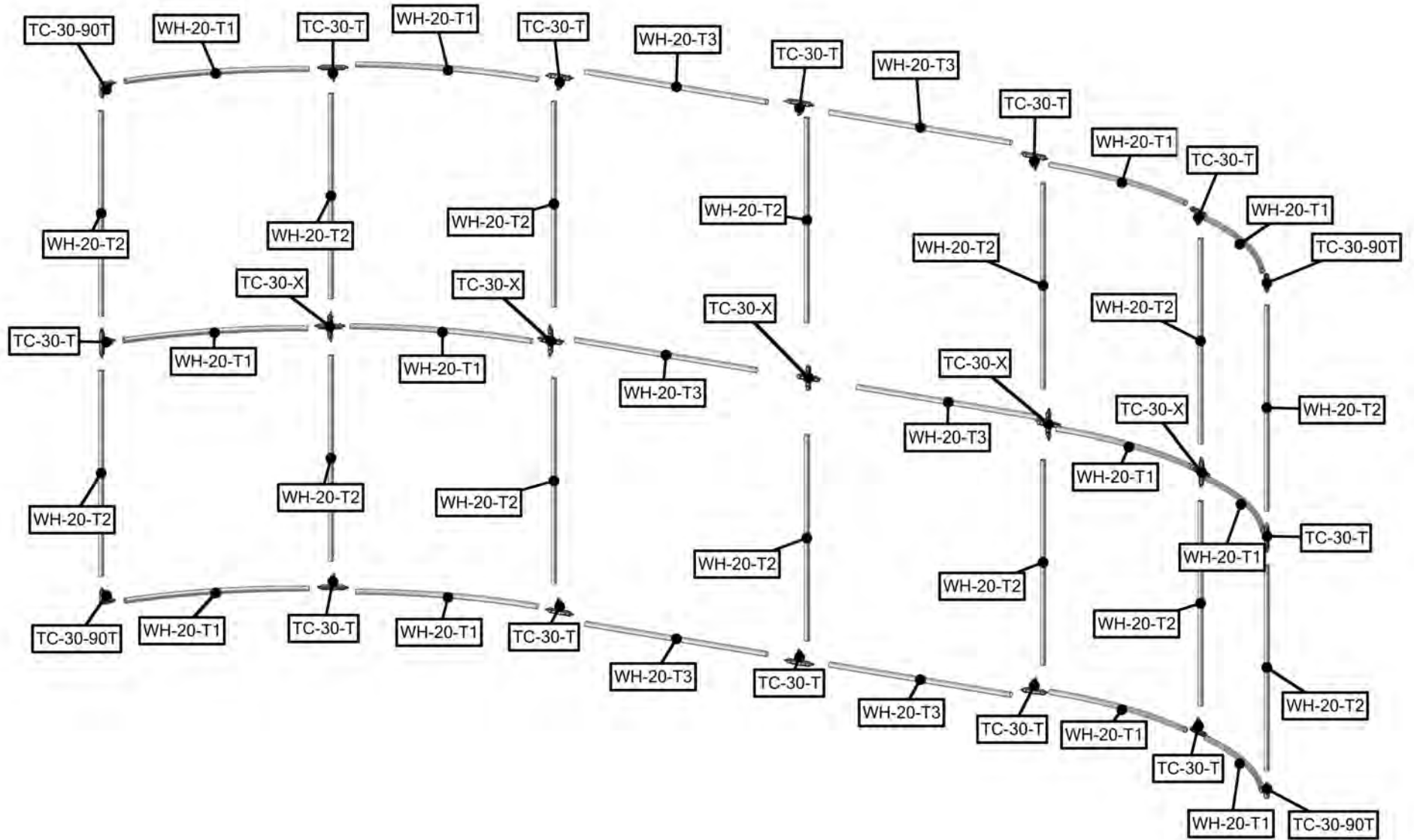
Hardware	Graphic
<p>Assembled unit: 226.7292" w x 92.0591" h x 38.4928" d</p> <p>Approximate weight (includes graphic): 105 lbs / 47.6 kgs</p>	<p>Total visual area: 250.5" w x 92" h 5740mm(w) x 2324mm(h)</p> <p>Please be sure to include a 2" bleed around the perimeter.</p> <p>Refer to related graphic template for more information.</p>
<p>Shipping</p> <p>Shipping dimensions: 2 OCL cases: 19" l x 19" w x 56" h 483mm(l) x 483mm(w) x 1422mm(h)</p> <p>Approximate shipping weight (with cases): 145 lbs / 65.8 kgs</p>	

additional information:

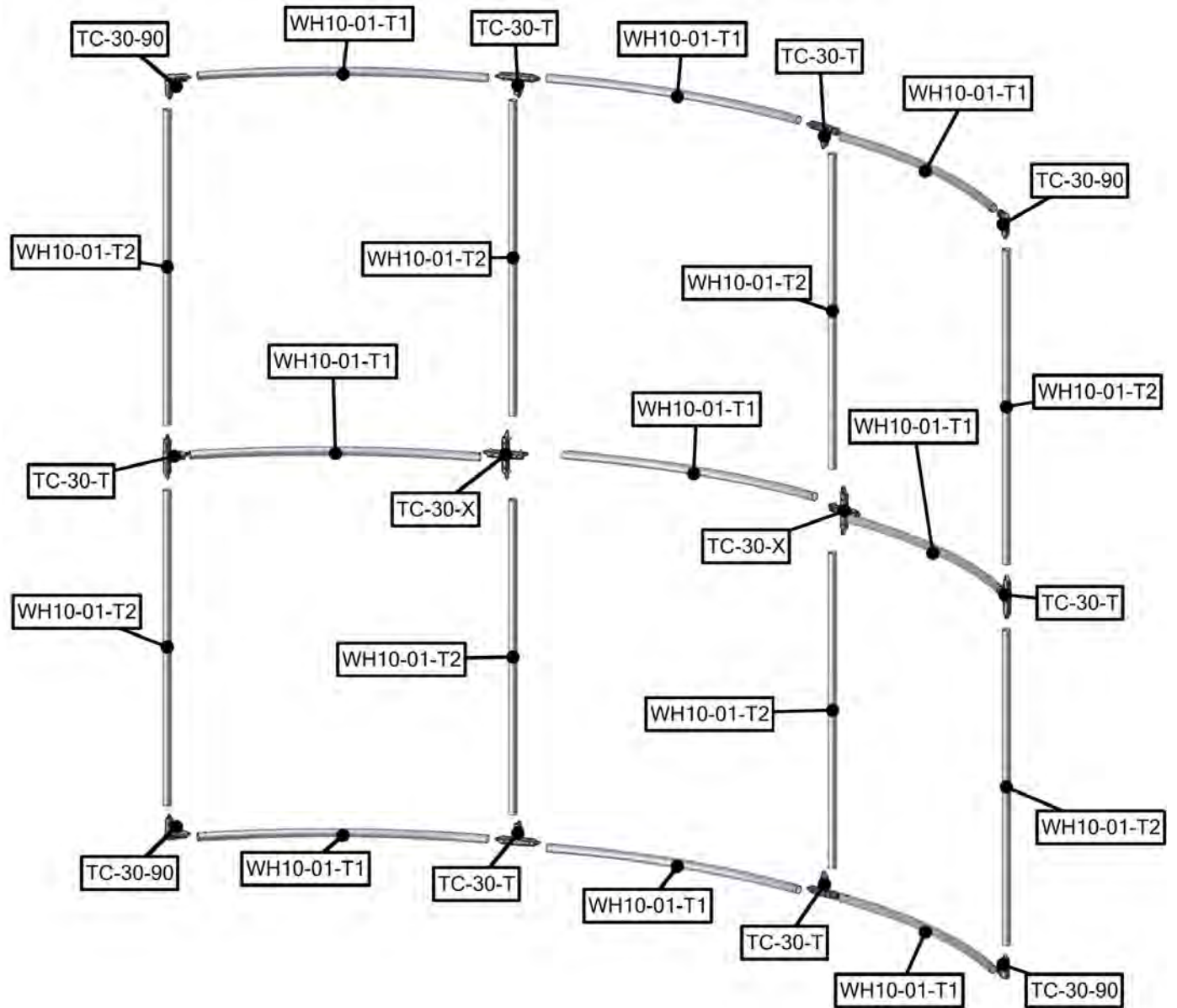
Graphic material:
Dye-sublimated zipper pillowcase fabric

Optional accessories:
Lumina 8-50 watt halogen lighting, literature pocket, stand-off literature rack, stand-off graphic shelf, graphic header, larger freight cases

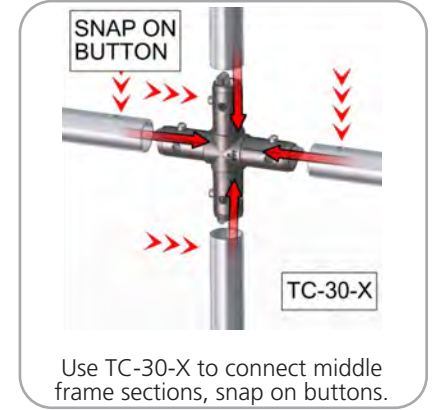
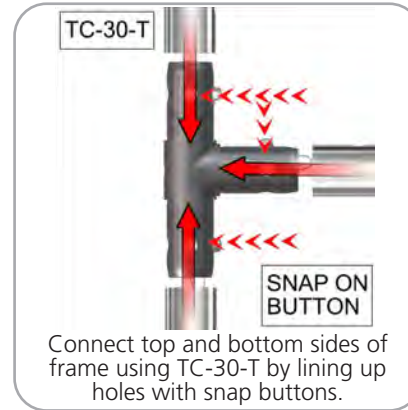
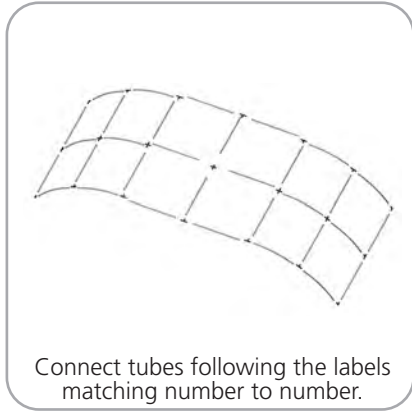
Parts Included		
Part Label	Qty	Part Code
90 DEGREE ELBOW JOINT FOR 30MM TUBING	x4	TC-30-90
T JUNCTION FOR 30MM TUBING	x12	TC-30-T
4 WAY JUNCTION FOR 30MM TUBING	x5	TC-30-X
30MM TUBE SECTION	x12	WH-20-T1
1114MM X 30MM TUBE SECTION	x14	WH-20-T2
1114MM X 30MM TUBE SECTION	x6	WH-20-T3
20' FABRIC GRAPHIC	x1	WH20-01-G



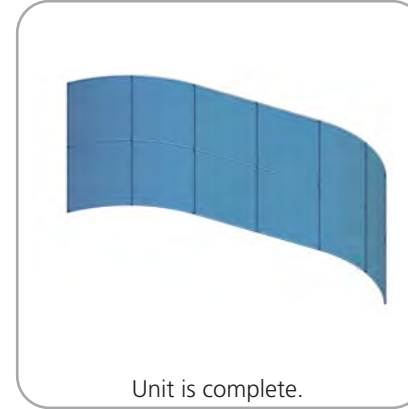
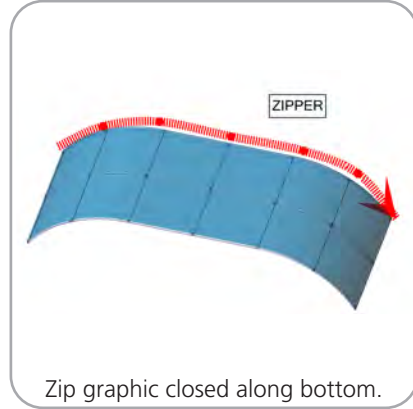
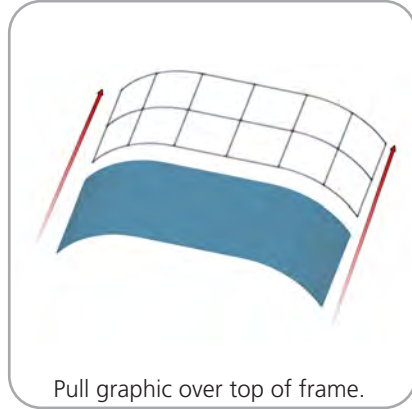
Parts Included		
Part Label	Qty	Part Code
FABRIC GRAPHIC	x1	WH10-01-G
90 DEGREE ELBOW JOINT FOR 30MM TUBING	x4	TC-30-90
T JUNCTION FOR 30MM TUBING	x6	TC-30-T
4 WAY JUNCTION FOR 30MM TUBING	x2	TC-30-X
R2000MM X 30MM TUBE (997MM ARC)	x9	WH10-01-T1
1114MM X 30MM TUBE	x8	WH10-01-T2



STEP 1: ASSEMBLE FRAME



STEP 2: ATTACH GRAPHIC



Stand-off Multi Shelf Ladder

FLA-02

FabLite® accents enhance the functionality of any 10ft or 20ft backwall and add more real estate for messaging too! You are sure to find the accent that best fits your needs with monitor supports, literature pockets, shelves, tables, counters and more. Side tables and graphic headers are also available.



features and benefits:

- State-of-the-art brushed 30mm aluminum tube frame with snap button assembly
- Includes three 20" wide shelves available in four laminate color options
- Easy to store and ship
- Kit includes: one frame, two printed infill panel graphics, stand-off shelves, and one wheeled molded OCH2 storage case
- Lifetime hardware warranty against manufacturer defects

dimensions:

Hardware

Assembled unit:
23.6" w x 92.7" h x 26.6" d
668mm(w) x 2355mm(h) x 676mm(d)

Shelf dimensions (each):
20.47" w x 11.81" d

Approximate weight (includes graphics):
24 lbs / 10.88 kgs

Shipping

Shipping dimensions:
1 OCH2 case: 52" l x 30" w x 15" h

Approximate shipping weight (with case):
54 lbs / 24.5 kgs

additional information:

Graphic material:
3mm white pvc

Shelves holds max 10 lbs /4.5 kgs each

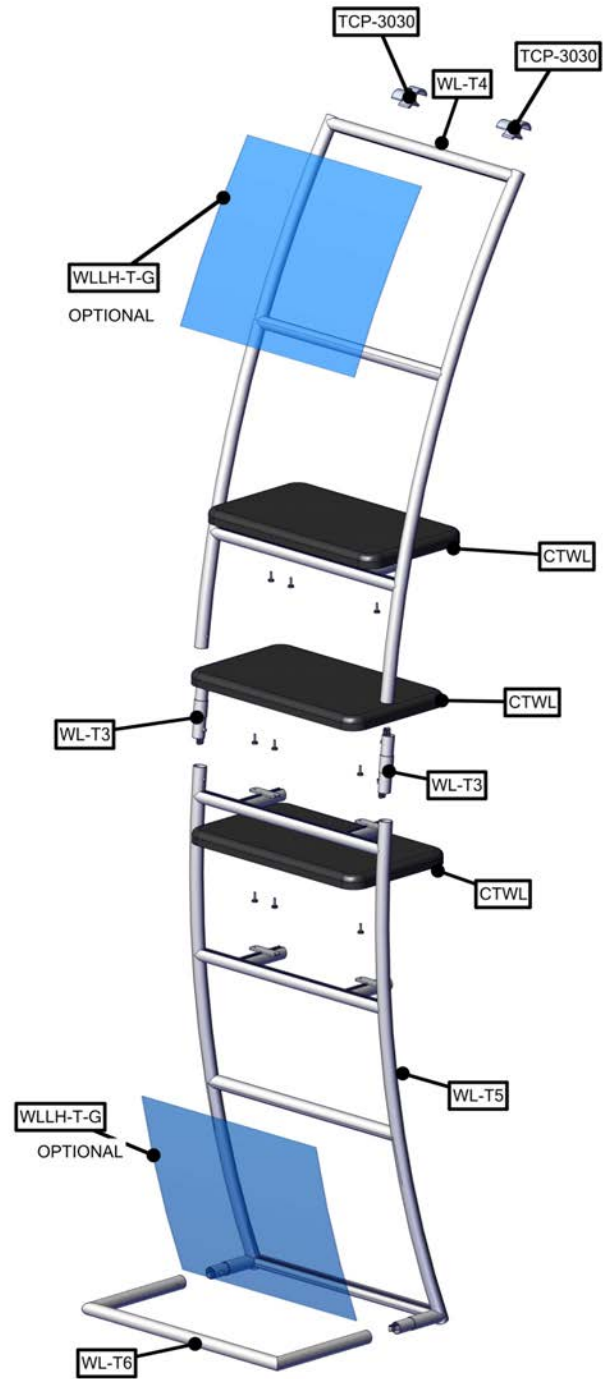
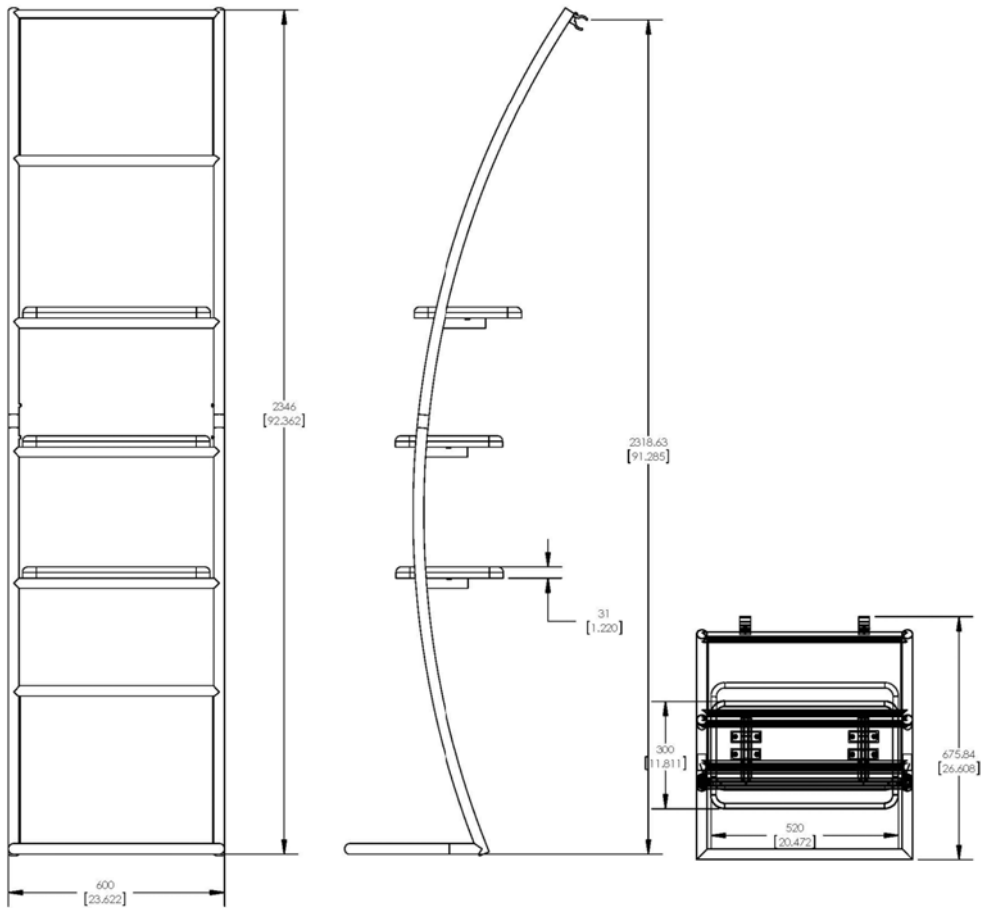
Table colors:



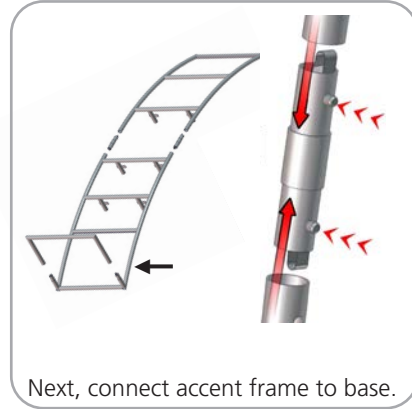
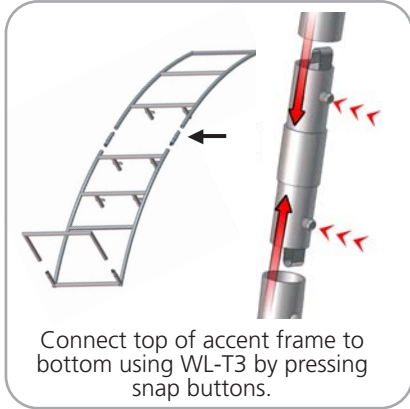
silver black mahogany natural

Parts Included – Ladder

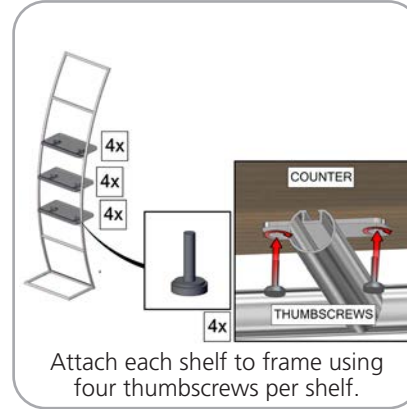
Part Label	Qty	Part Code
520 X 300 X 30 COUNTER	x3	CTWL
PARALLEL TUBE CLAMP FOR 30MM TUBES	x2	TCP-3030
30MM TUBE SECTION	x2	WL-T3
TOP SINTRA GRAPHICS	x2	WLLH-T-G
30MM TUBE SECTION	x1	WL-T5
30MM TUBE SECTION	x1	WL-T6
30MM TUBE SECTION	x1	WL-T4



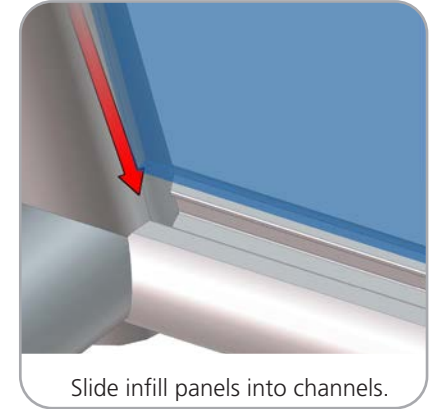
STEP 1: ASSEMBLE LADDER FRAME



STEP 2: ATTACH SHELVES



STEP 3: ATTACH GRAPHICS



STEP 4: ATTACH TO BACKWALL WITH CLAMPS

