

FabLite 10' Horizontal Curve - FL10-HC

FL10-HC

FabLite is a collection of sophisticated, ergonomically designed exhibit booths. FabLite combines state-of-the-art zipper pillowcase dye-sublimated fabric coverings with advanced lightweight aluminum structures to provide unique design, functionality, and style. The excellence of the FabLite line of displays, hanging structures and products is simply unmatched. Stretch fabric graphics are hand-sewn, durable and dry-cleanable.



features and benefits:

- State-of-the-art 30mm aluminum tube frame with snap button assembly
- Easy to store and ship
- Quick to set up
- Kit includes: one frame, one dye-sublimated zipper pillowcase graphic, two Lumina 8-50 watt spot lights, and one wheeled molded OCL storage case
- Lifetime hardware warranty against manufacturer defects

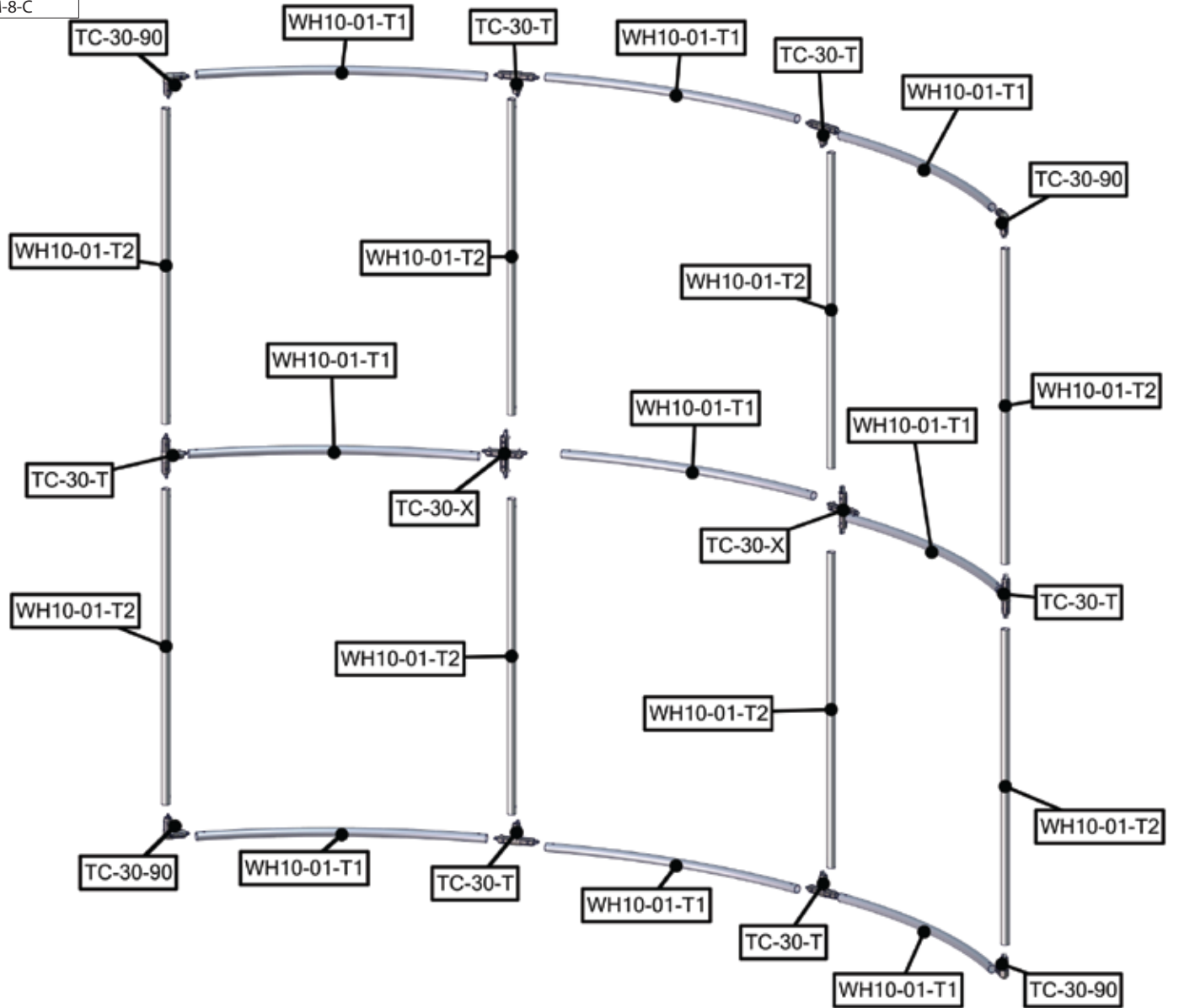
dimensions:

Hardware	Graphic
<p>Assembled unit: 112" w x 96.25" h x 23" d</p> <p>Approximate weight (includes graphic): 27.5 lbs / 12.5 kg</p>	<p>Total visual area: 123.125" w x 92" h</p> <p>Please be sure to include a 2" bleed around the perimeter.</p> <p>Refer to related graphic template for more information.</p>
<p>Shipping</p> <p>Shipping dimensions: One OCL case: 19" l x 19" w x 56" h</p> <p>Approximate shipping weight (with case): 47.5 lbs / 21.5 kg</p>	

additional information:

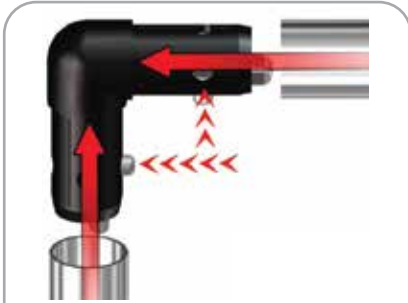
- Graphic material:
Dye-sublimated zipper pillowcase fabric
- Optional Accessories:
Lumina 8-50 watt halogen lighting, literature pocket, stand-off graphic shelf, graphic header, larger freight cases

Parts Included		
Part Label	Qty	Part Code
FABRIC GRAPHIC	x1	WH10-01-G
90 DEGREE ELBOW JOINT FOR 30MM TUBING	x4	TC-30-90
T JUNCTION FOR 30MM TUBING	x6	TC-30-T
4 WAY JUNCTION FOR 30MM TUBING	x2	TC-30-X
R2000MM X 30MM TUBE (997MM ARC)	x9	WH10-01-T1
1114MM X 30MM TUBE	x8	WH10-01-T2
LUMINA 8 50 WATT SPOTLIGHT	x2	LUM-8-C

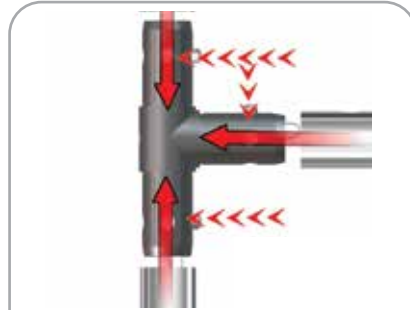


FabLite 10' Horizontal Curve - FL10-HC

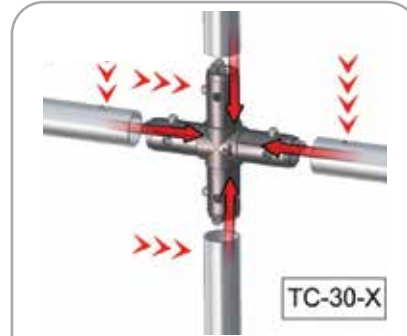
STEP 1: ASSEMBLE FRAME



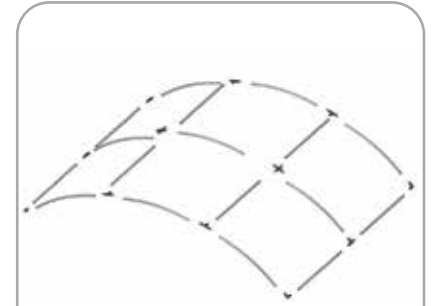
Assemble top frame corners using TC-30-90. Label codes will be on backside of tube. It is best to assemble frame laying flat.



Connect top and bottom sides of frame using TC-30-T by lining up holes with snap buttons.

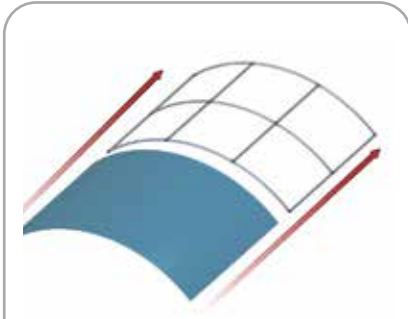


Use TC-30-X to connect middle frame sections; snap on button.

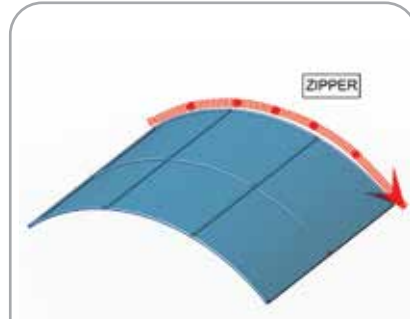


Frame assembly is complete once all sides and middle are connected.

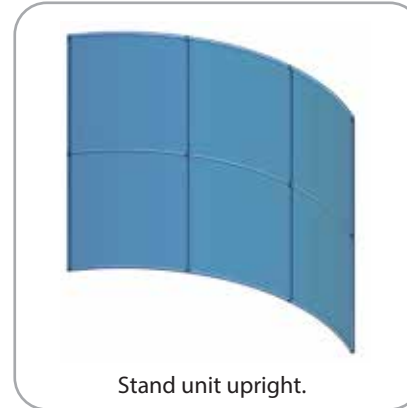
STEP 2: ATTACH GRAPHIC



Slide graphic over top of frame.



Zip fabric closed as shown along bottom.



Stand unit upright.

STEP 3: ATTACH LIGHTS



Slide light onto universal clamp.



Attach clamp with light on top of the frame (after fabric graphic). Turn clockwise to tighten.

FabLite 10' Horizontal Curve - FL10-HC