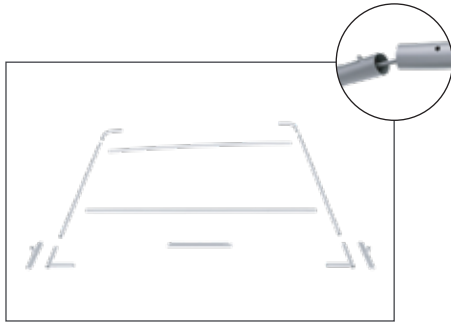


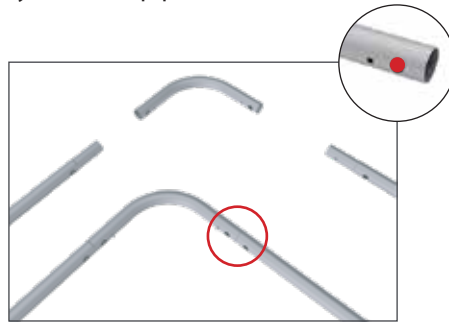
# Set Up Instructions

# EL-TF-2000B-L & R

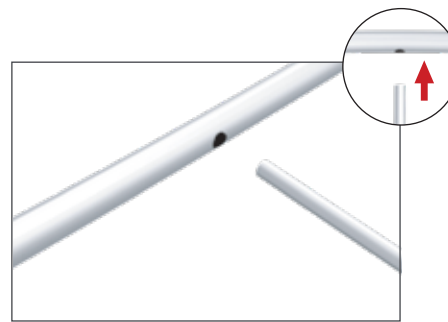
Step 1: Assemble straight poles by pressing and pushing together.



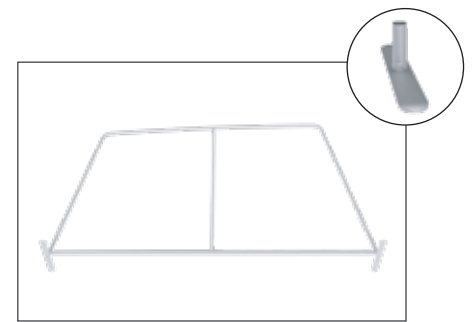
Step 2: Connect all corner sections to curved and straight sections of the frame by matching shape symbols on pipes.



Step 3: Insert center support pole.



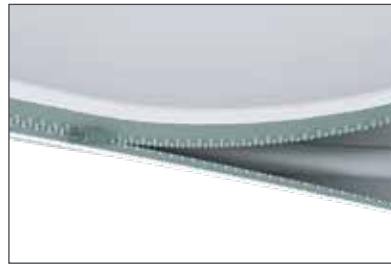
Step 4: Insert feet into base to complete assembled frame shown.



Step 5: Unzip print and lay image face up. Slide print onto frame like a pillow case.



Step 6: Zip the edge of graphic beyond the center point as shown to hold the center pole in place. Zip the remaining side and bottom to meet at the corner.



Step 7: Complete.

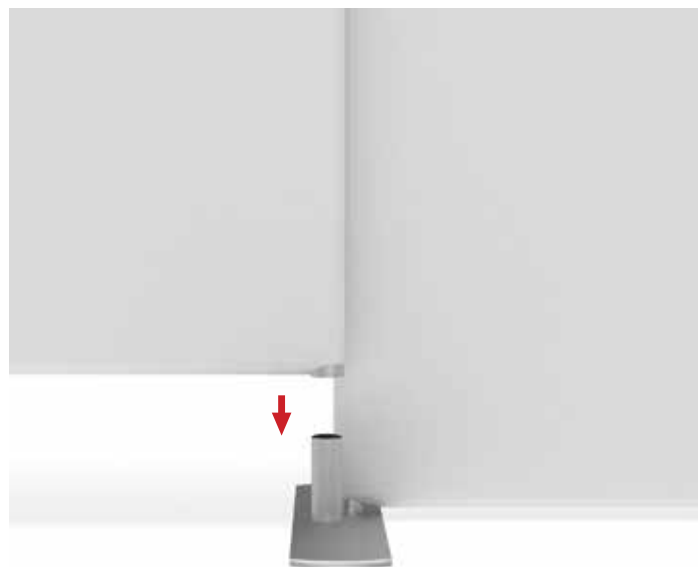


LIGHTS:  
(OPTIONAL) Position as desired and tighten knob to hold in place. WARNING! Over tightening may cause damage to fabric image.

# Set Up Instructions

# EL-TF-PANEL CONNECTION

## FEET



EL-TF-P-22E



EL-TF-P-22R



EL-TF-P-22L



EL-TF-P-22E

## CLAMPS

