

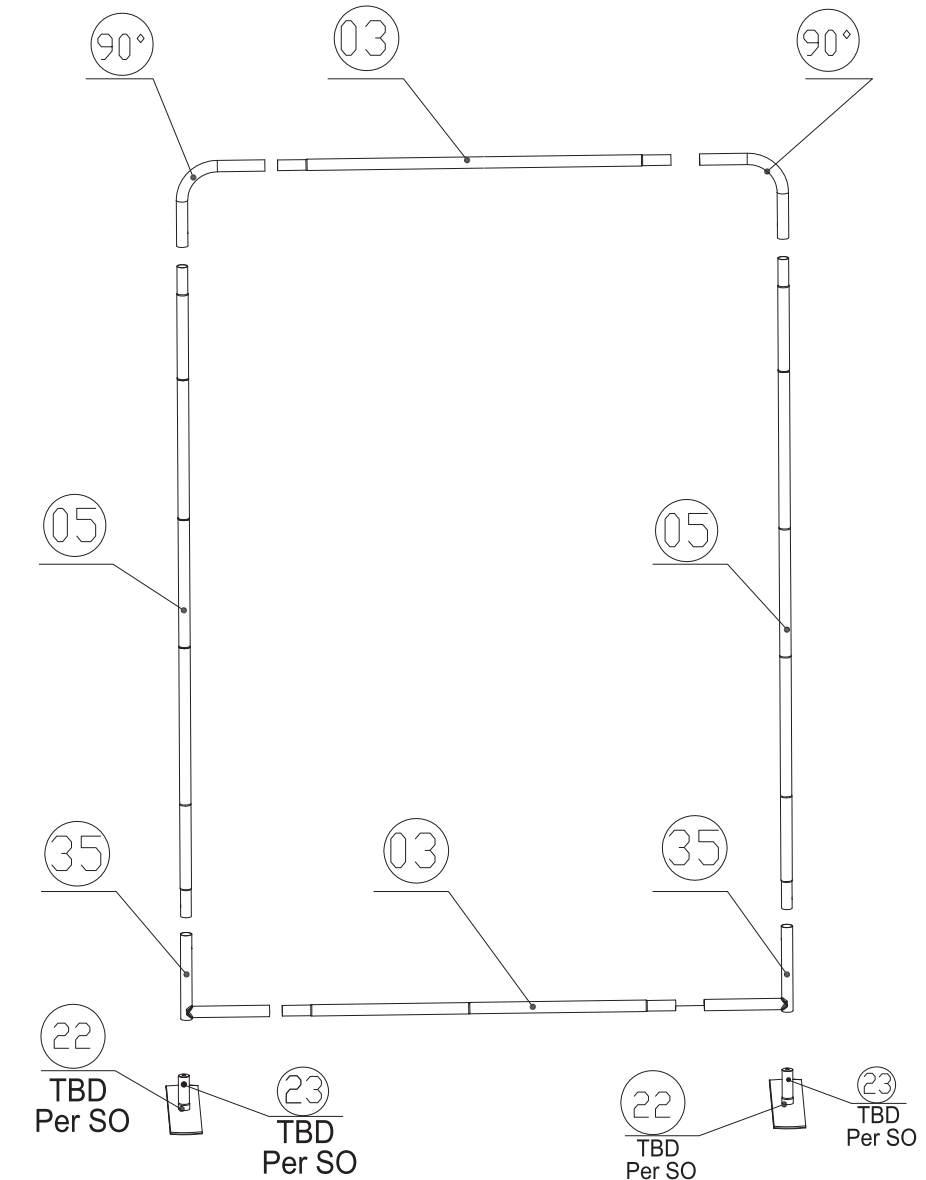
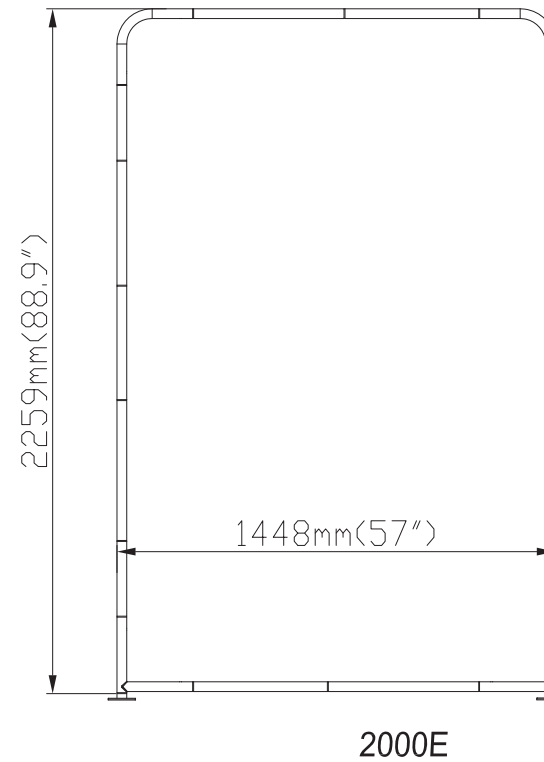
Set Up Instructions

EL-TF-PE



Setup Instructions

1. Take all the parts out of the bags and lay them on the ground according to the assembly diagram.
2. Make sure that all the corresponding numbers are correct.
3. Now start pushing the pipes together until they firmly click, if difficult you can slightly twist the parts together to make the locking spring pop up on place.
4. Its time to get your hands cleaned as now you are ready to handle the printed fabric. Feed the fabric from the round edges of the frame, feed only a few feet, then stand the frame up then slide the fabric to the bottom, now close the Zipper.
5. You can set up the feet in the position that you want to erect the stand, lift the fabric panels and fit on the feet.
6. To lock the frames together you can use the "S" shaped brackets or WL-25 brackets, they are designed tight so they lock well.



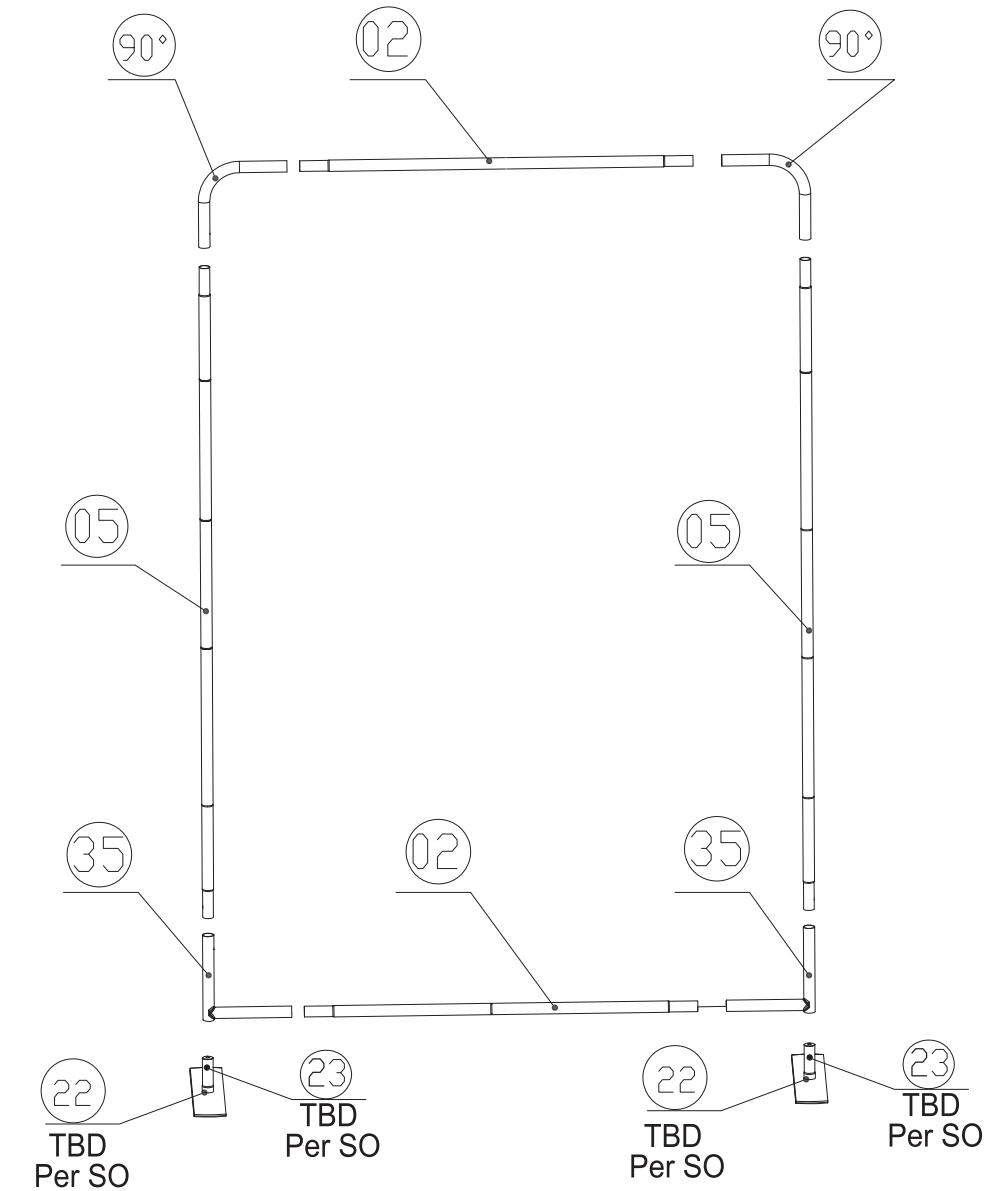
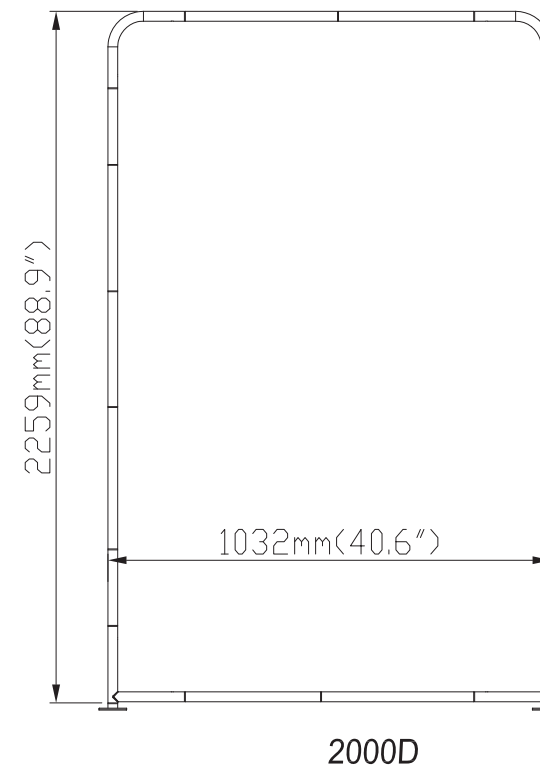
Set Up Instructions

EL-TF-PD



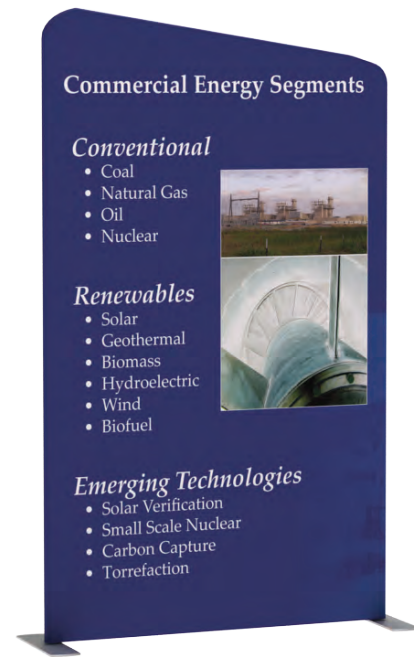
Setup Instructions

1. Take all the parts out of the bags and lay them on the ground according to the assembly diagram.
2. Make sure that all the corresponding numbers are correct.
3. Now start pushing the pipes together until they firmly click, if difficult you can slightly twist the parts together to make the locking spring pop up on place.
4. Its time to get your hands cleaned as now you are ready to handle the printed fabric. Feed the fabric from the round edges of the frame, feed only a few feet, then stand the frame up then slide the fabric to the bottom, now close the Zipper.
5. You can set up the feet in the position that you want to erect the stand, lift the fabric panels and fit on the feet.
6. To lock the frames together you can use the "S" shaped brackets or WL-25 brackets, they are designed tight so they lock well.



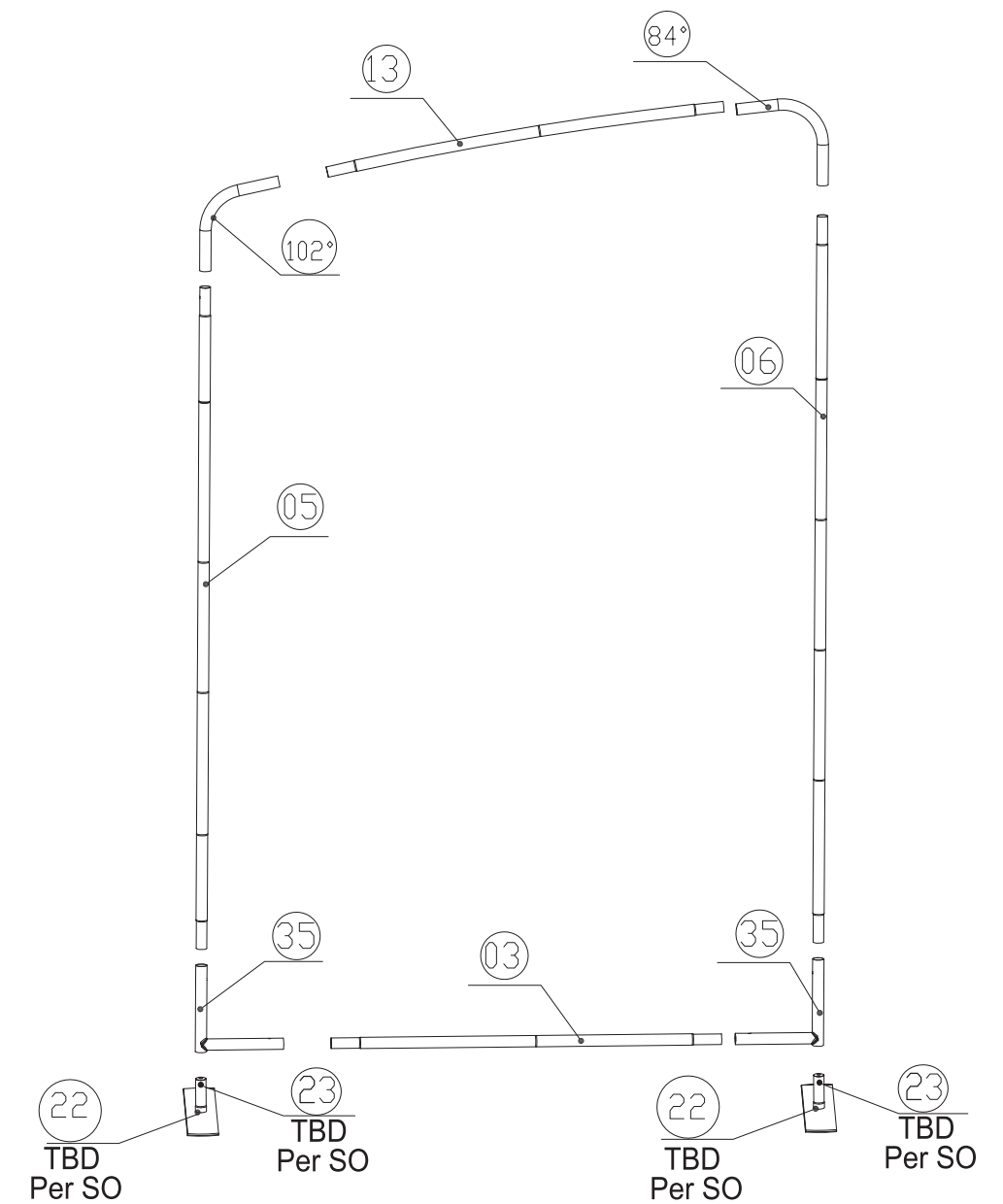
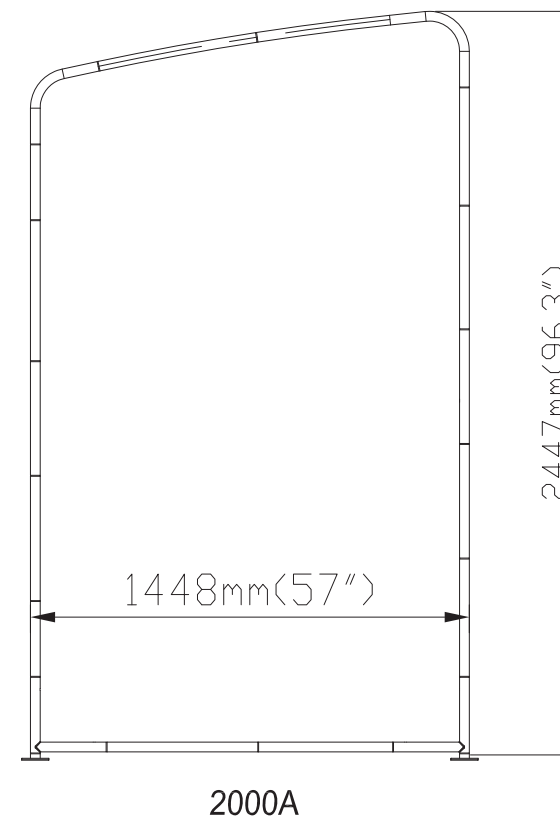
Set Up Instructions

EL-TF-PA



Setup Instructions

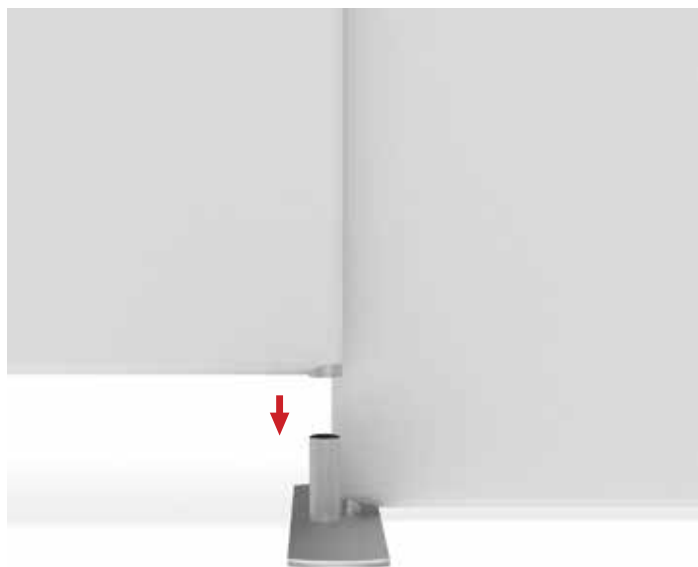
1. Take all the parts out of the bags and lay them on the ground according to the assembly diagram.
2. Make sure that all the corresponding numbers are correct.
3. Now start pushing the pipes together until they firmly click, if difficult you can slightly twist the parts together to make the locking spring pop up on place.
4. Its time to get your hands cleaned as now you are ready to handle the printed fabric. Feed the fabric from the round edges of the frame, feed only a few feet, then stand the frame up then slide the fabric to the bottom, now close the Zipper.
5. You can set up the feet in the position that you want to erect the stand, lift the fabric panels and fit on the feet.
6. To lock the frames together you can use the "S" shaped brackets or WL-25 brackets, they are designed tight so they lock well.



Set Up Instructions

EL-TF-PANEL CONNECTION

FEET



EL-TF-P-22E



EL-TF-P-22R

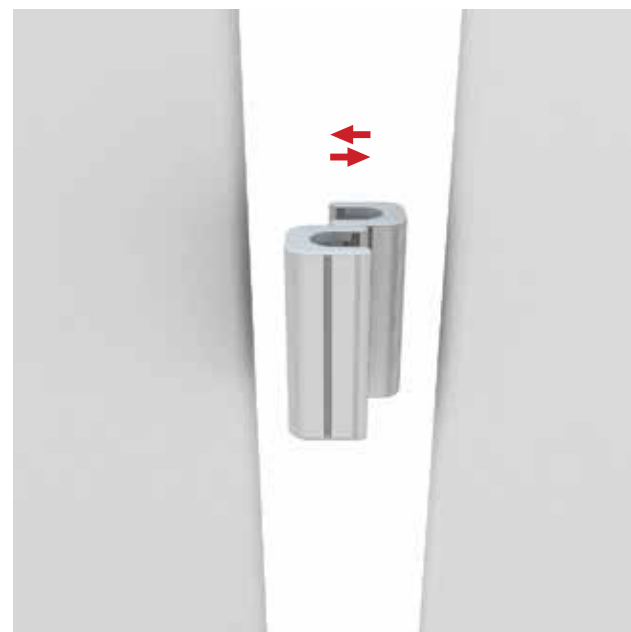


EL-TF-P-22L



EL-TF-P-22E

CLAMPS



T-Mount | Set-Up Instructions

PARTS



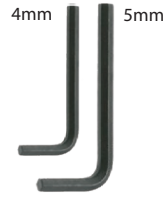
(A) Various Frame (Case, Hardware, & Graphic)



(B) Monitor Plate



(C) Monitor Brackets



(D) Allen Keys (4mm 5mm)



(E) x6 Screws **(F)** x2 Flange Screws



(G) x2 Thumb Screws



(H) Horizontal Bar



(I) Vertical Bar

ASSEMBLY

1

(A)

Assemble the **(A)** frame by connecting the tubes together and set aside.

2

(H) **(I)** **(D)**

Assemble T-Bar by sliding Horizontal bar **(H)** into butterfly piece on the end of the Vertical bar **(I)**. Center and tighten with 5mm Allen Key **(D)**.

3

(G)

Attach the T-Bar to frame. (ensure it is facing front) Align the holes of the T-Bar to the underside of the top pole of the frame and screw in simultaneously from the bottom using 2 thumb screws **(G)**.

4

Place graphics over the display and zipper at the bottom.

5

(F)

Attach the Monitor Plate to the Vertical Pole **(I)** with the provided flange screws **(F)** to the bracket in the Vertical Pole.

6

(E) **(C)**

Attach the Monitor Brackets **(C)** to the back of the monitor (not included) using 4 screws **(E)**.

7

Hang the Monitor from the Monitor Brackets **(C)** onto the Monitor Plate **(B)**.

8

(E) **(C)** **TV** **bolt**

Screw the bottom of the Monitor Bracket **(C)** in with screws **(E)**.

9

Enjoy.