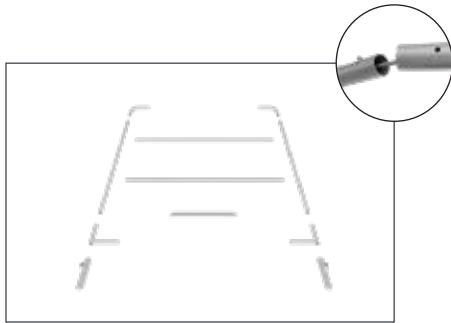


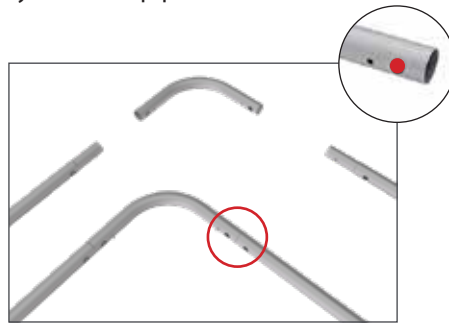
# Set Up Instructions

# ECONOLITE MERCHANDISER-TF-N 79"Wx89"H

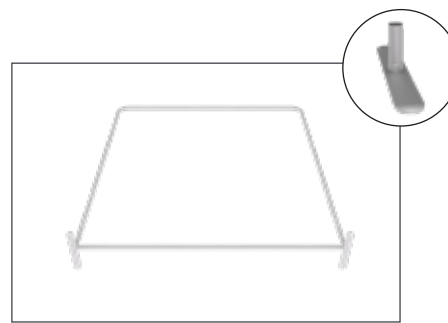
Step 1: Assemble straight poles by pressing and pushing together.



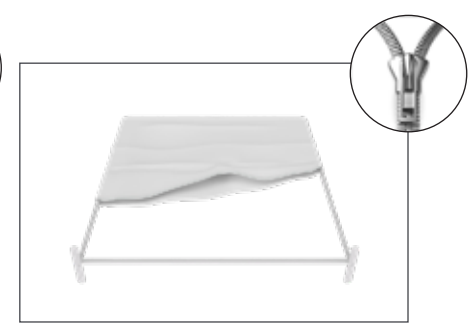
Step 2: Connect all corner sections to curved and straight sections of the frame by matching shape symbols on pipes.



Step 3: Insert feet into base to complete assembled frame shown.



Step 4: Unzip print and lay image face up. Slide print onto frame like a pillow case.



Step 5: Zip the edge of graphic beyond the center point as shown to hold the center pole in place. Zip the remaining side and bottom to meet at the corner.



LIGHTS:  
(OPTIONAL) Position as desired and tighten knob to hold in place.  
WARNING! Over tightening may cause damage to fabric image.

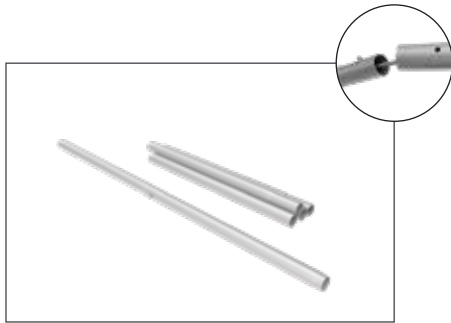
Step 6: Complete.



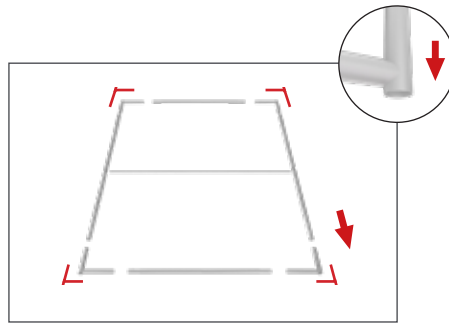
# Set Up Instructions

# EL-M-02

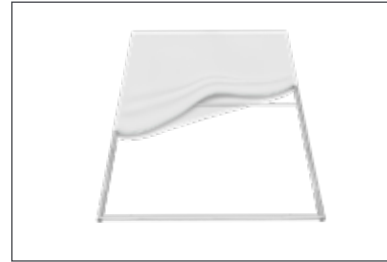
Step 1: Assemble straight poles by pressing and pushing together.



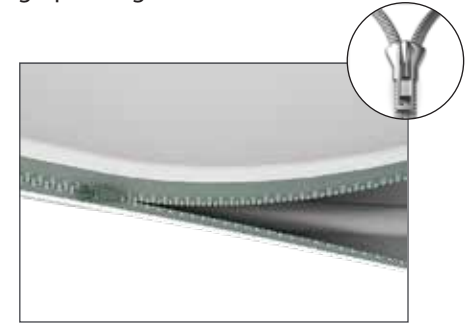
Step 2: Connect all corner sections to straight sections. Face holes of 90° corners towards the bottom of frame.



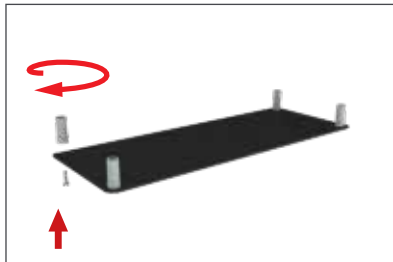
Step 3: Insert center support pole.



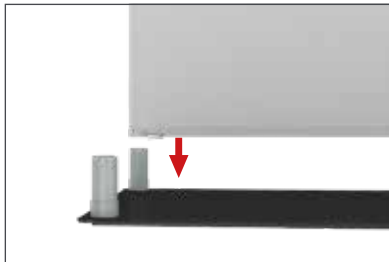
Step 4: Grip the fabric tightly and stretch around bottom pole to pinch zipper into place. Zip the graphic together for taut finish.



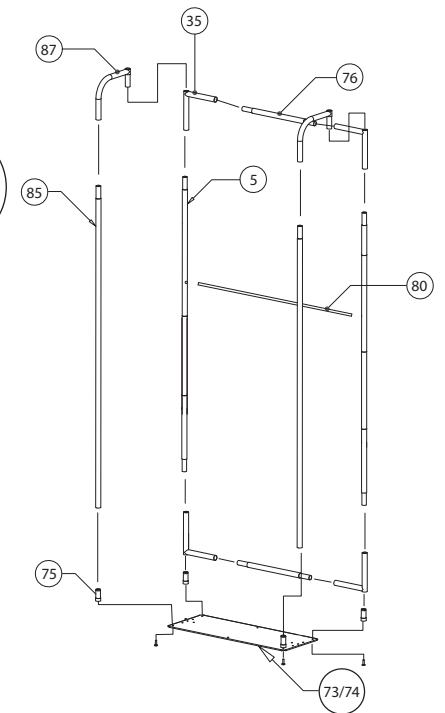
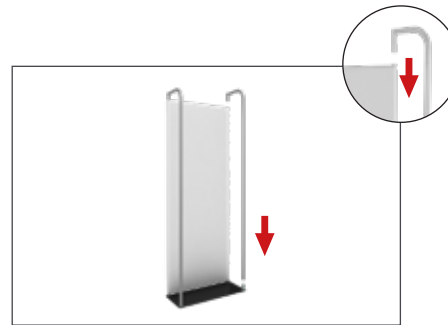
Step 5: Assemble post (75) into the 4 corners of the base plate with screw by hand turning post and tightening into place.



Step 6: Push banner stand frame onto back posts of flat base or optional feet. Press evenly on both sides to make easier for the frame to go on.



Step 7: Assemble x2 - (85) and (87) together and push poles into top of frame and front two posts (75).



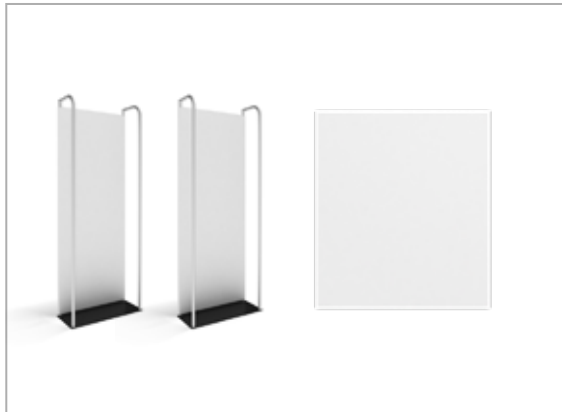
**SHELVING & ACCESSORIES:**  
(OPTIONAL) To add shelves or accessories to frame, position and level part on frame before tightening clamps down with hex tool.



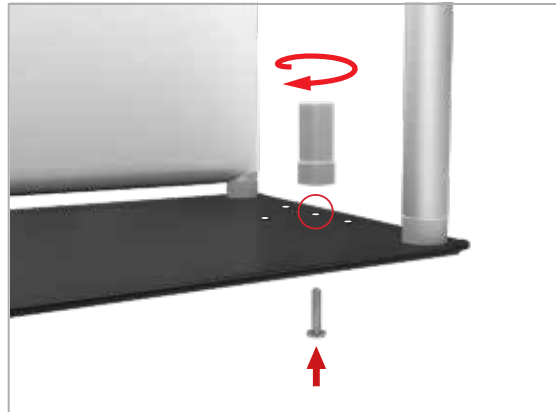
## Set Up Instructions

# ECONOLITE MERCHANDISER-ANGELED CONNECTED WALLS

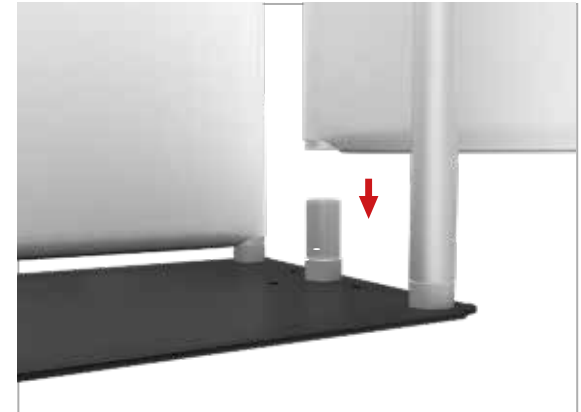
Step 1: Follow set up instructions and preassemble basic fabric banner stands with accessories and wall panel(s) – D, E, F or N, that match your kit.



Step 2: Assemble post (75) into the outside hole of the two connecting base plates shown in illustration. Screw by hand, turning post to tighten into place.



Step 3: Push ends of fabric wall onto posts. Press evenly on both sides to make easier for the frame to go on.



### LIGHTS:

(OPTIONAL) Position as desired and tighten knob to hold in place. **WARNING!** Over tightening may cause damage to fabric image.



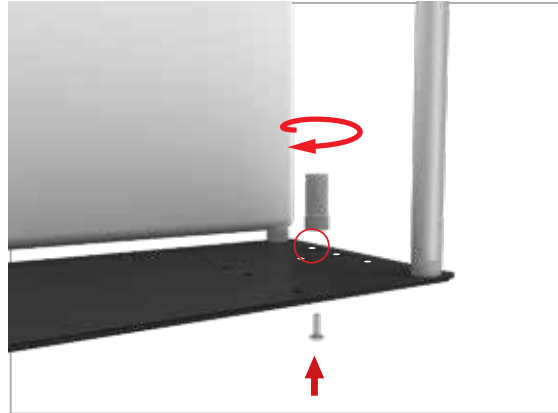
## Set Up Instructions

# ECONOLITE MECHANDISER-STRAIGHT SINGLE WALL

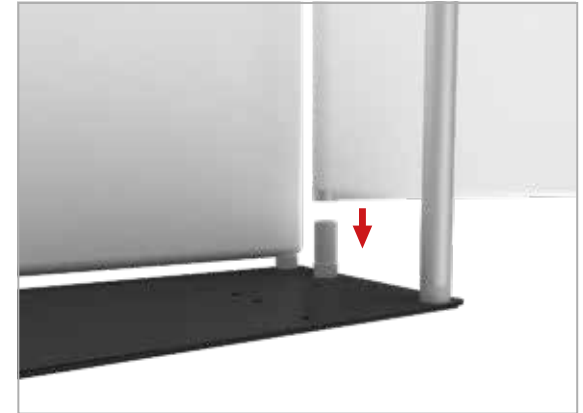
Step 1: Follow set up instructions and preassemble basic fabric banner stands with accessories and wall panel(s) – D, E, F or N, that match your kit.



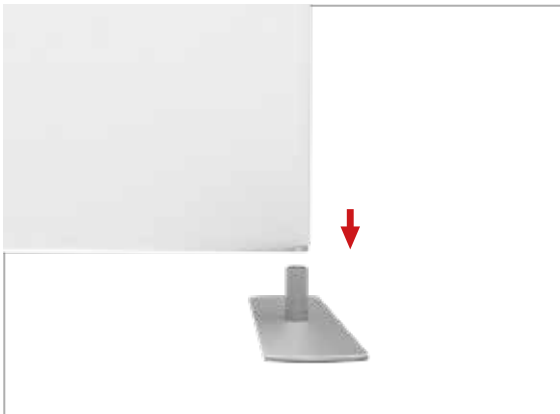
Step 2: Assemble post (75) into the outside hole of the base plate shown in illustration. Screw by hand, turning post to tighten into place.



Step 3: Push end of fabric wall onto post of base.



Step 4: Push end of fabric wall onto post of foot.



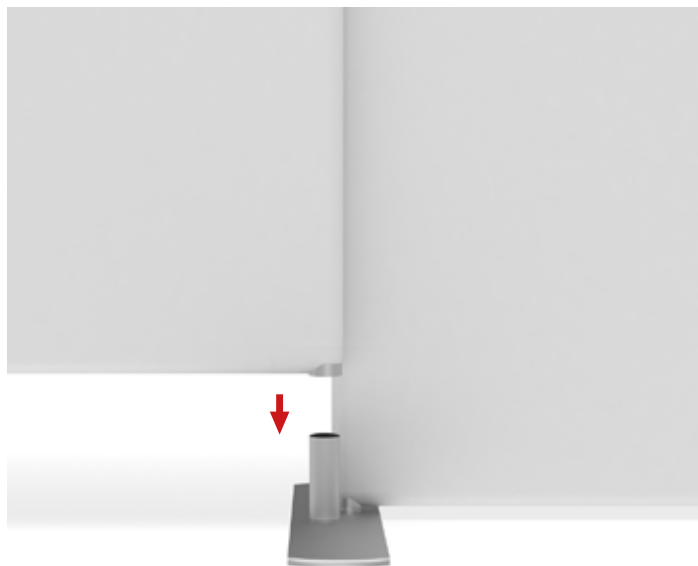
LIGHTS:  
(OPTIONAL) Position as desired and tighten knob to hold in place. **WARNING!** Over tightening may cause damage to fabric image.



# Set Up Instructions

# ECONOLITE MERCHANDISER-PANEL CONNECTION

## FEET



EL-MK-P-22E



EL-MK-P-22R



EL-MK-P-22L



EL-MK-P-22E

## CLAMPS

