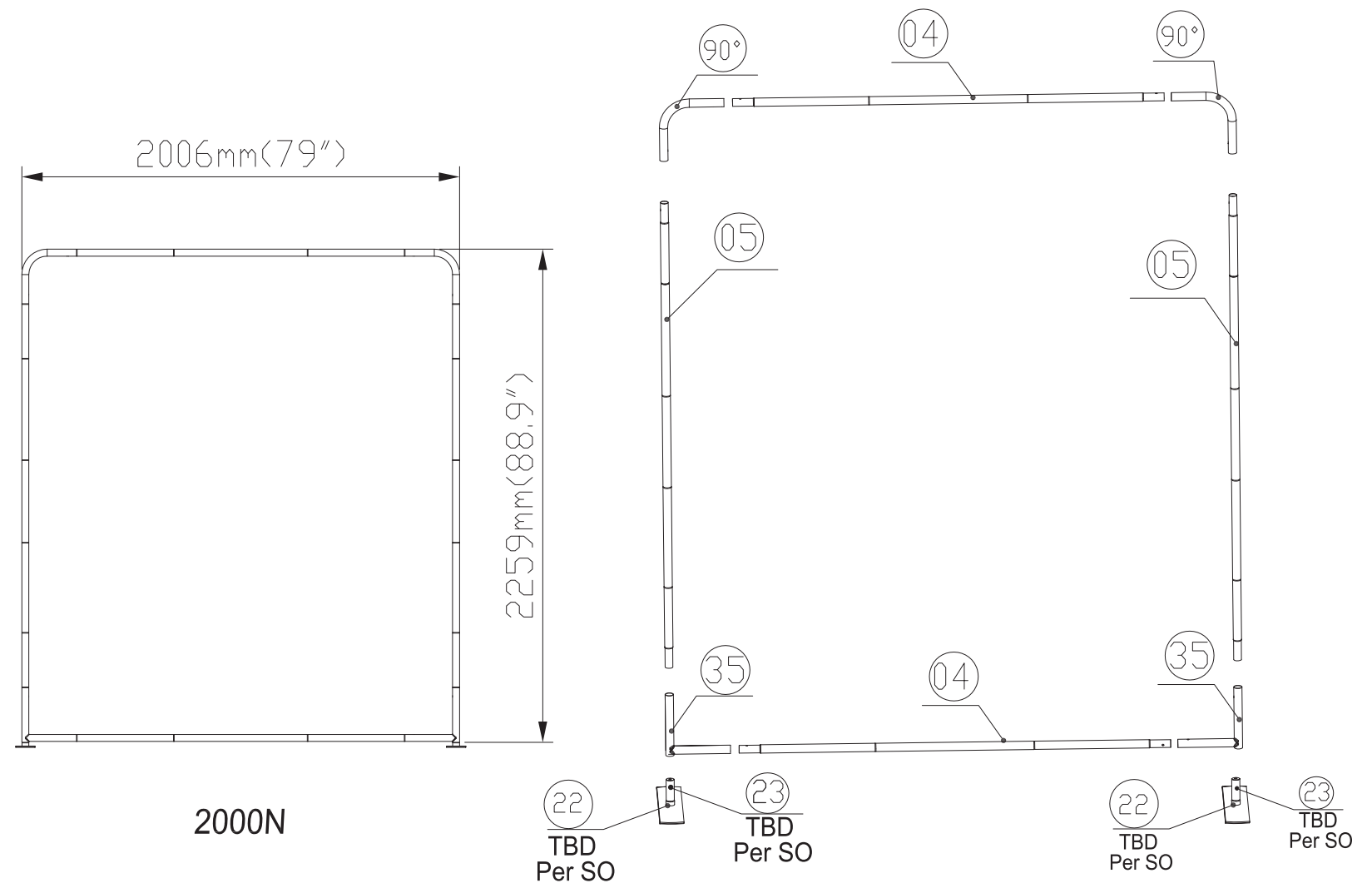


EconoLite Tension Fabric Panel N -- EL-TF-PN



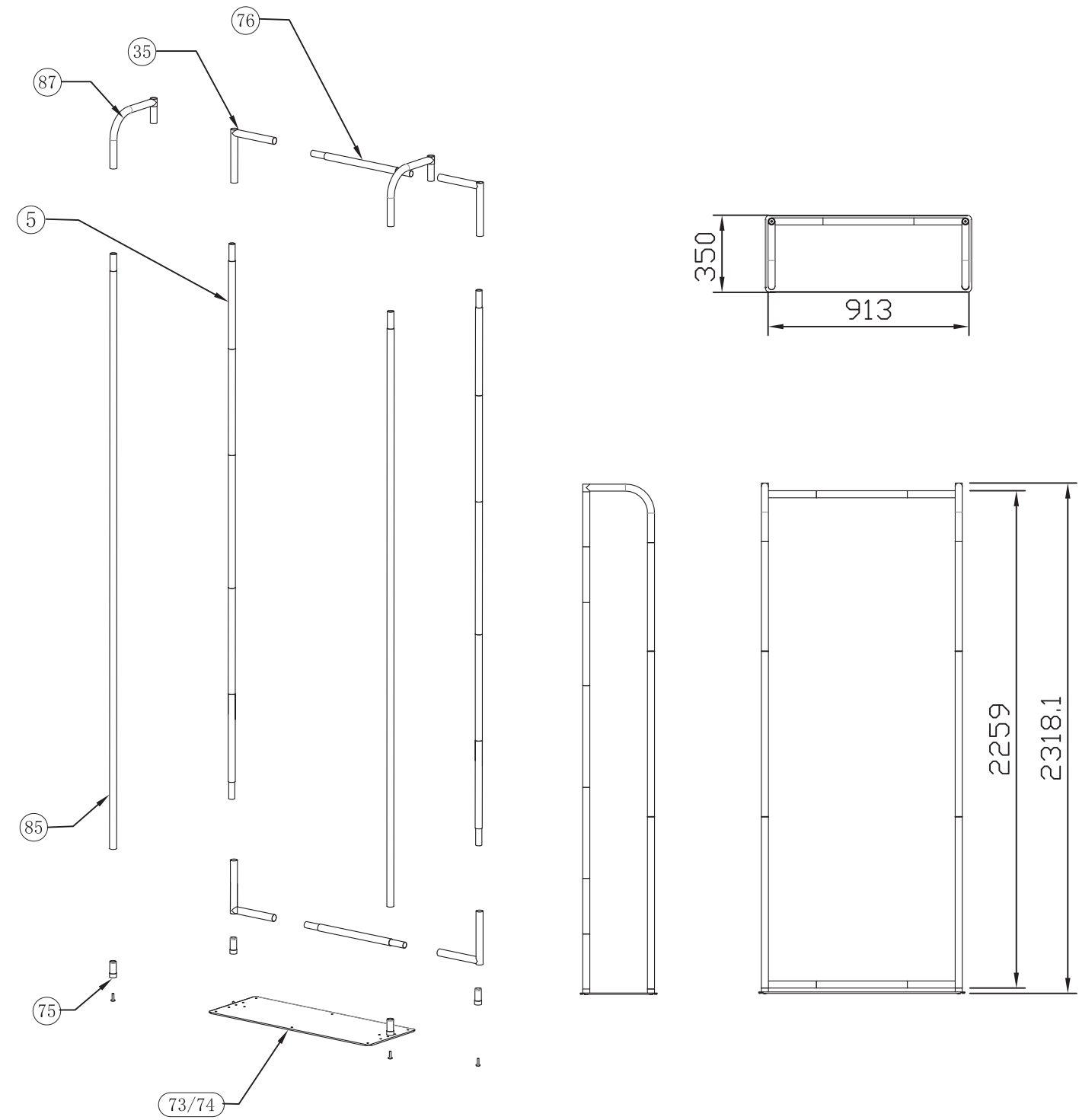
Setup Instructions

1. Take all the parts out of the bags and lay them on the ground according to the assembly diagram.
2. Make sure that all the corresponding numbers are correct.
3. Now start pushing the pipes together until they firmly click, if difficult you can slightly twist the parts together to make the locking spring pop up on place.
4. Its time to get your hands cleaned as now you are ready to handle the printed fabric. Feed the fabric from the round edges of the frame, feed only a few feet, then stand the frame up then slide the fabric to the bottom, now close the Zipper.
5. You can set up the feet in the position that you want to erect the stand, lift the fabric panels and fit on the feet.
6. To lock the frames together you can use the "S" shaped brackets or WL-25 brackets, they are designed tight so they lock well.



EconoLite Merchandiser

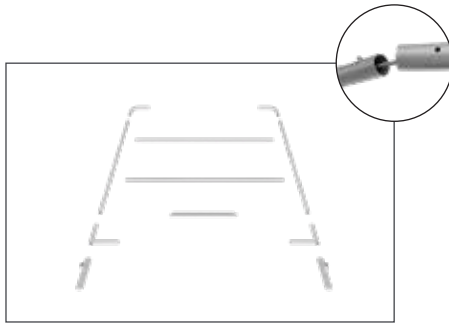
EL-M-01



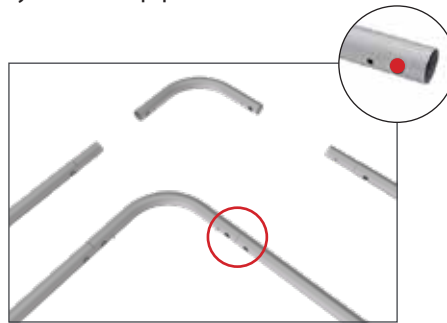
Set Up Instructions

EconoLite Tension Fabric Panel N -- EL-TF-PN

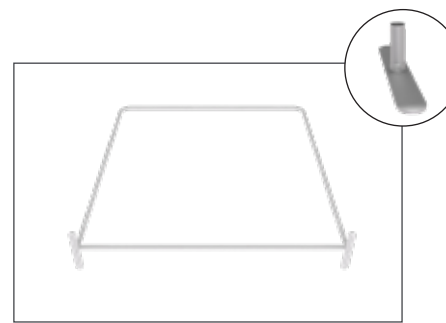
Step 1: Assemble straight poles by pressing and pushing together.



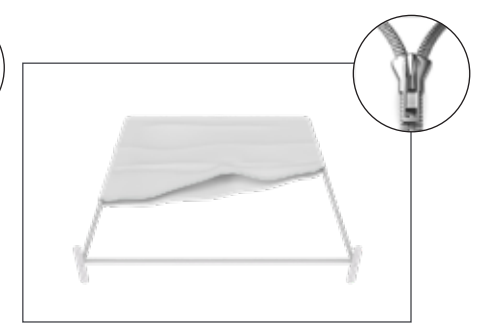
Step 2: Connect all corner sections to curved and straight sections of the frame by matching shape symbols on pipes.



Step 3: Insert feet into base to complete assembled frame shown.



Step 4: Unzip print and lay image face up. Slide print onto frame like a pillow case.



Step 5: Zip the edge of graphic beyond the center point as shown to hold the center pole in place. Zip the remaining side and bottom to meet at the corner.



Step 6: Complete.

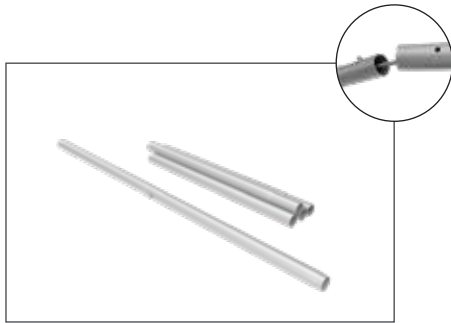


LIGHTS:
(OPTIONAL) Position as desired and tighten knob to hold in place.
WARNING! Over tightening may cause damage to fabric image.

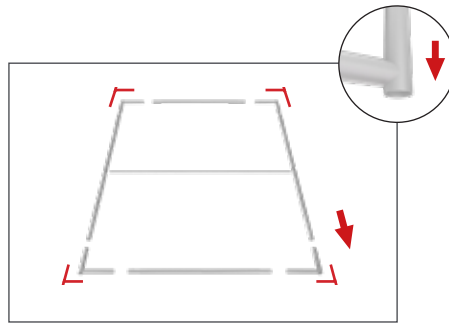
Set Up Instructions

EconoLite Merchandiser -- EL-M-01

Step 1: Assemble straight poles by pressing and pushing together.



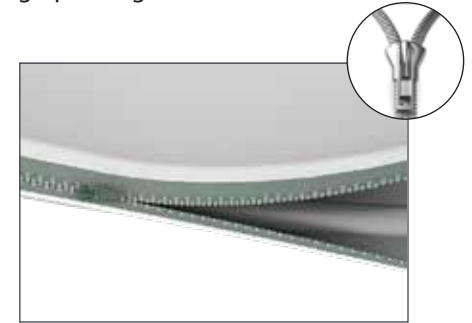
Step 2: Connect all corner sections to straight sections. Face holes of 90° corners towards the bottom of frame.



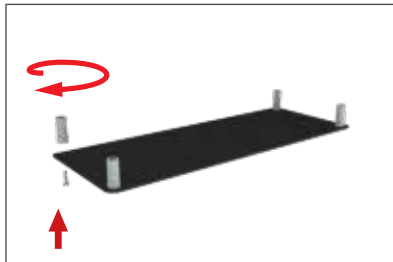
Step 3: Insert center support pole.



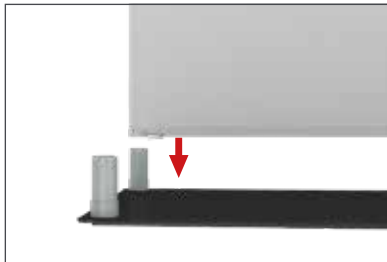
Step 4: Grip the fabric tightly and stretch around bottom pole to pinch zipper into place. Zip the graphic together for taut finish.



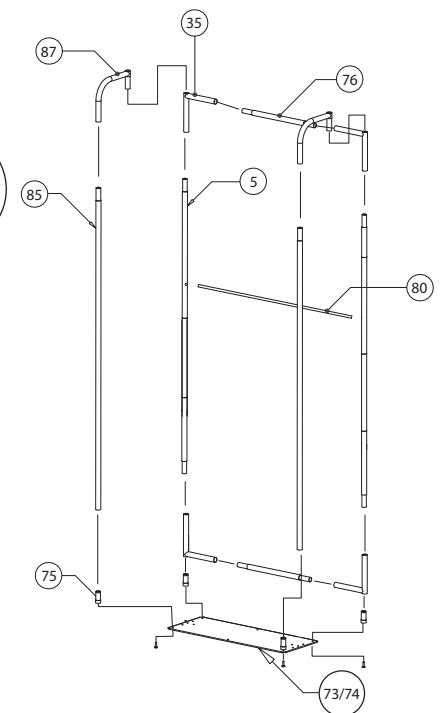
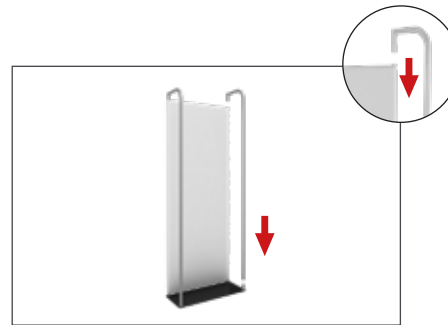
Step 5: Assemble post (75) into the 4 corners of the base plate with screw by hand turning post and tightening into place.



Step 6: Push banner stand frame onto back posts of flat base or optional feet. Press evenly on both sides to make easier for the frame to go on.



Step 7: Assemble x2 - (85) and (87) together and push poles into top of frame and front two posts (75).



SHELVING & ACCESSORIES:
(OPTIONAL) To add shelves and accessories to frame, position and level part on frame before tightening clamps down with hex tool.



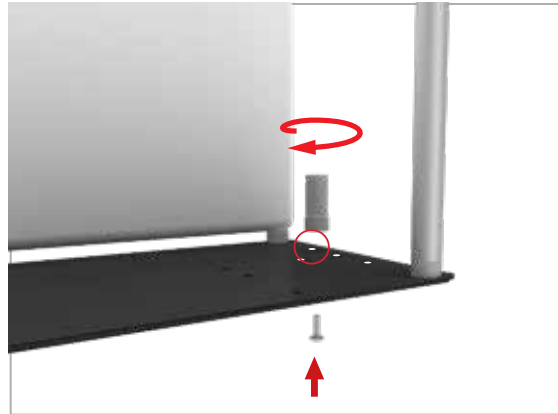
Set Up Instructions

ECONOLITE MECHANDISER-STRAIGHT SINGLE WALL

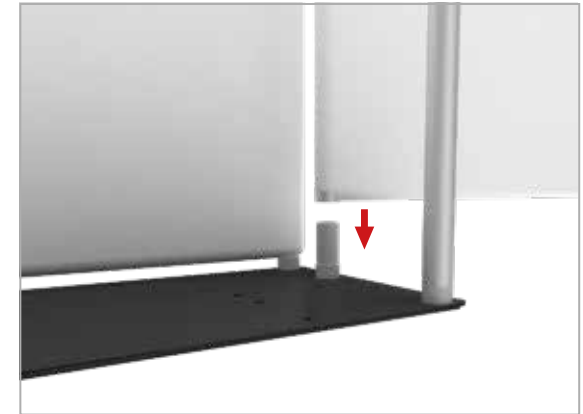
Step 1: Follow set up instructions and preassemble basic fabric banner stands with accessories and wall panel(s) – D, E, F or N, that match your kit.



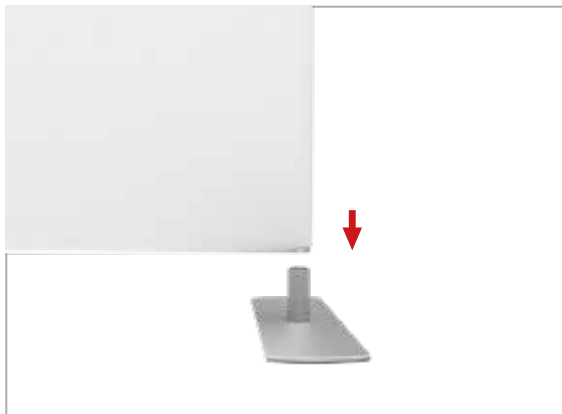
Step 2: Assemble post (75) into the outside hole of the base plate shown in illustration. Screw by hand, turning post to tighten into place.



Step 3: Push end of fabric wall onto post of base.



Step 4: Push end of fabric wall onto post of foot.



LIGHTS:
(OPTIONAL) Position as desired and tighten knob to hold in place. WARNING! Over tightening may cause damage to fabric image.



Set Up Instructions

ECONOLITE MERCHANDISER-PANEL CONNECTION

FEET



EL-MK-P-22E



EL-MK-P-22R



EL-MK-P-22L



EL-MK-P-22E

CLAMPS

