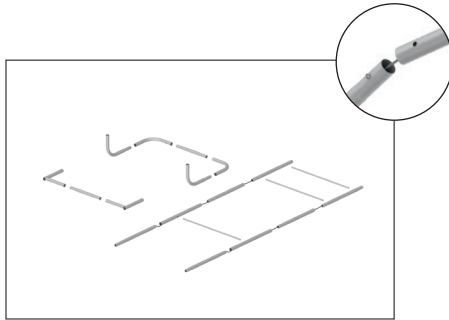


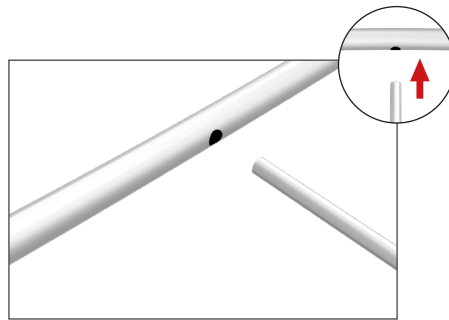
# Set Up Instructions

# EL-TF-WFA-XL-Half GRAPHIC

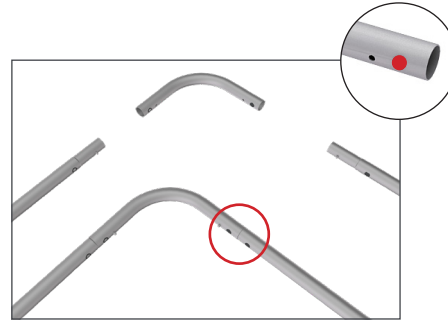
**Step 1:** Assemble each section of the frame by pressing and pushing poles together.



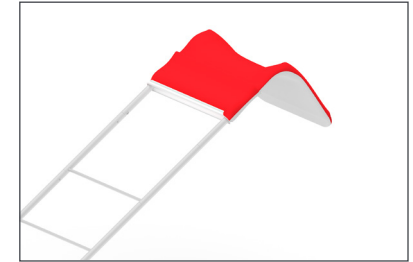
**Step 2:** Insert correct number of cross bar support poles based on Step 4.



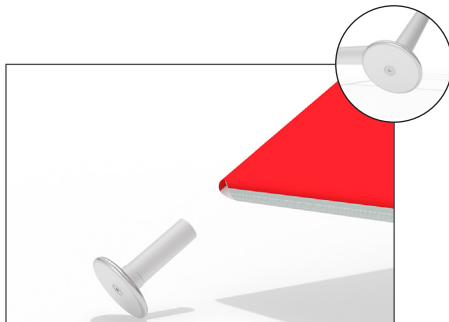
**Step 3:** Connect all corner sections to straight sections of the frame by matching shape symbols on pipes.



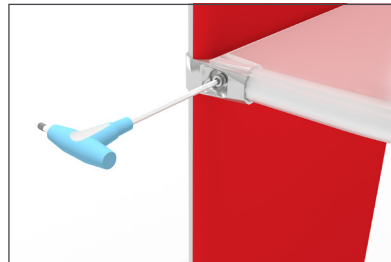
**Step 4:** Unzip print and lay image face up. Slide print onto frame like a pillow case.



**Step 5:** Insert feet into the holes at the bottom of display.



**Step 6:** Add shelves to frame. Position and level shelves on frame before tightening clamps down with hex tool.



**Step 7:** Complete.



**ATTACHMENT TO WALL:** Position waterfall as desired on support wall before tightening clamps down with hex tool.

