

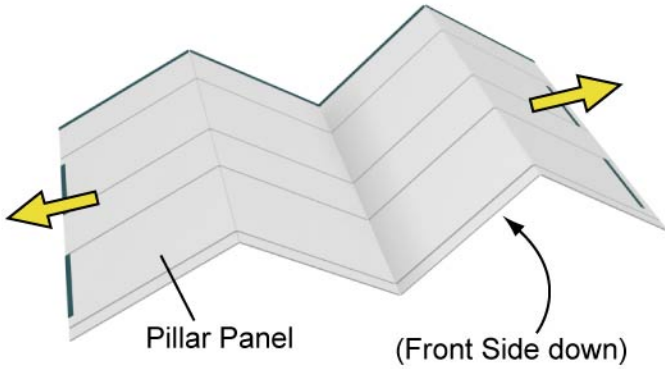


Steps to Assemble the InfiniLite Shelving Display:

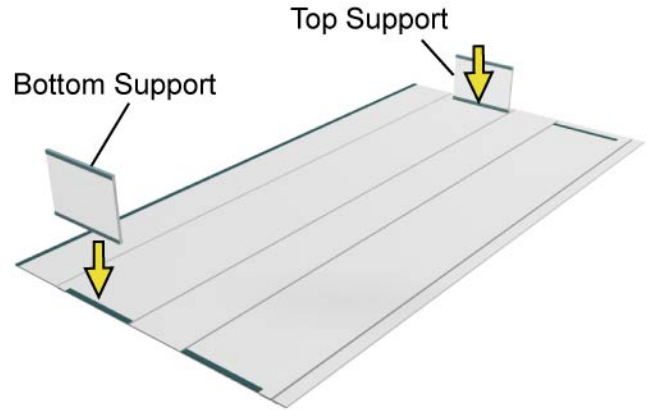
- Step 1:** Assemble the Pillars.
- Step 2:** Place Pillars upright in their proper order.
- Step 3:** Attach Wall Panel to Pillars.
- Step 4:** Install Shelf Support Bars.
- Step 5:** Attach Shelves to Shelf Support Bars with Velcro.

Assemble Pillars.

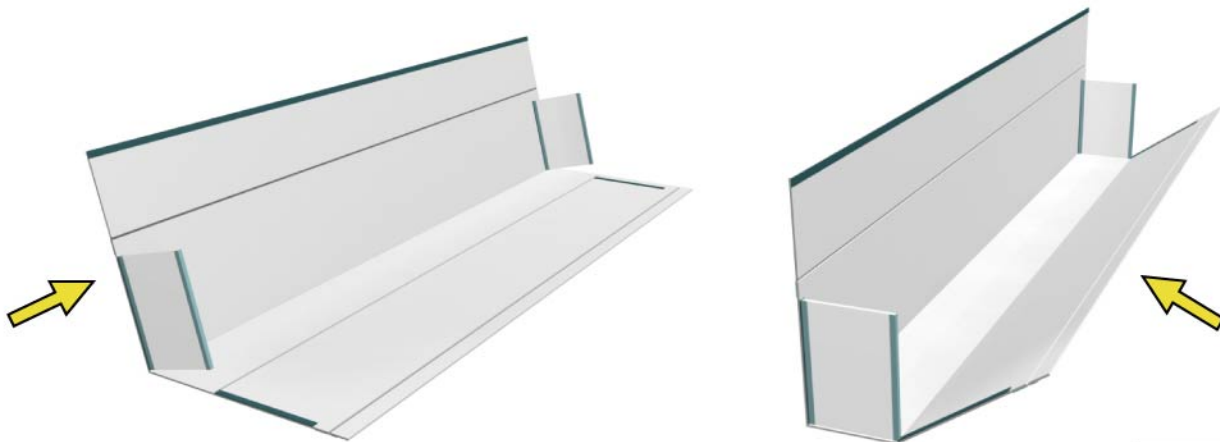
A) Unfold the Pillar Panels with the front sides facing downward.



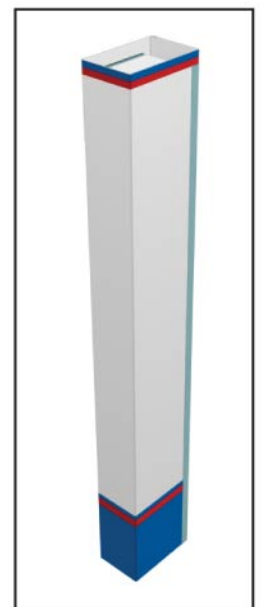
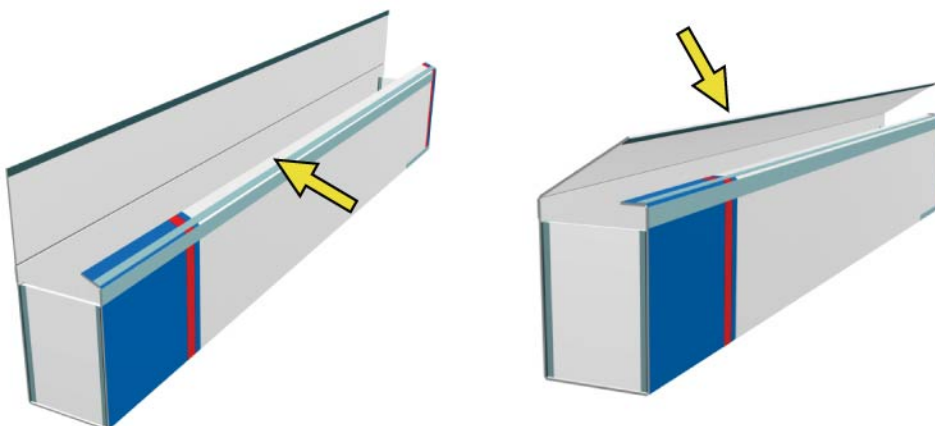
B) Attach Top and Bottom Supports to the back of the Pillars with Velcro.



C) Fold Pillar around the Supports and attach with Velcro.



D) Close the Pillar using the Velcro strips along the Pillar edges.

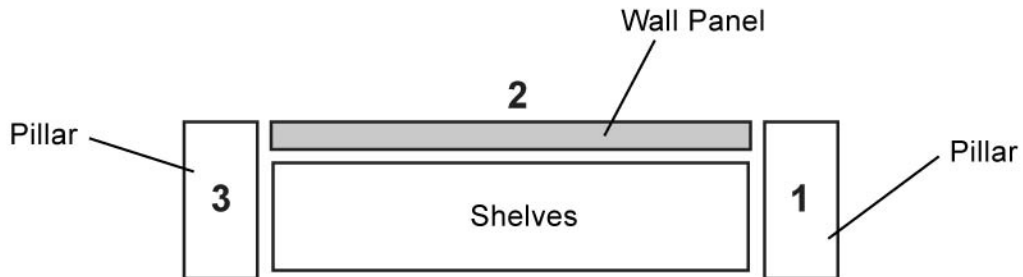


Assembled Pillar

Assembly Instructions: InfiniLite Shelving Display

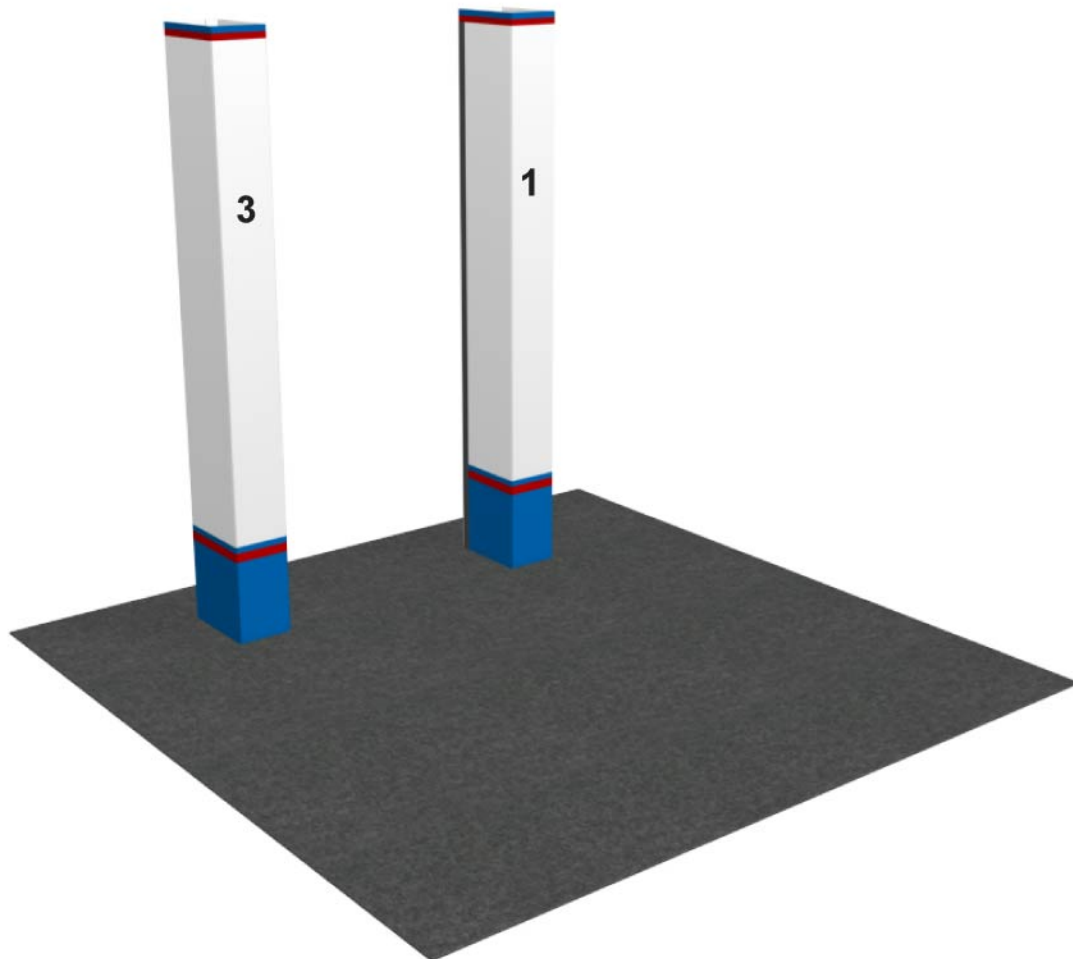
Place Pillars upright in their proper order.

A) The following Floor Plan identifies the locations of the Pillars and Wall Panel:



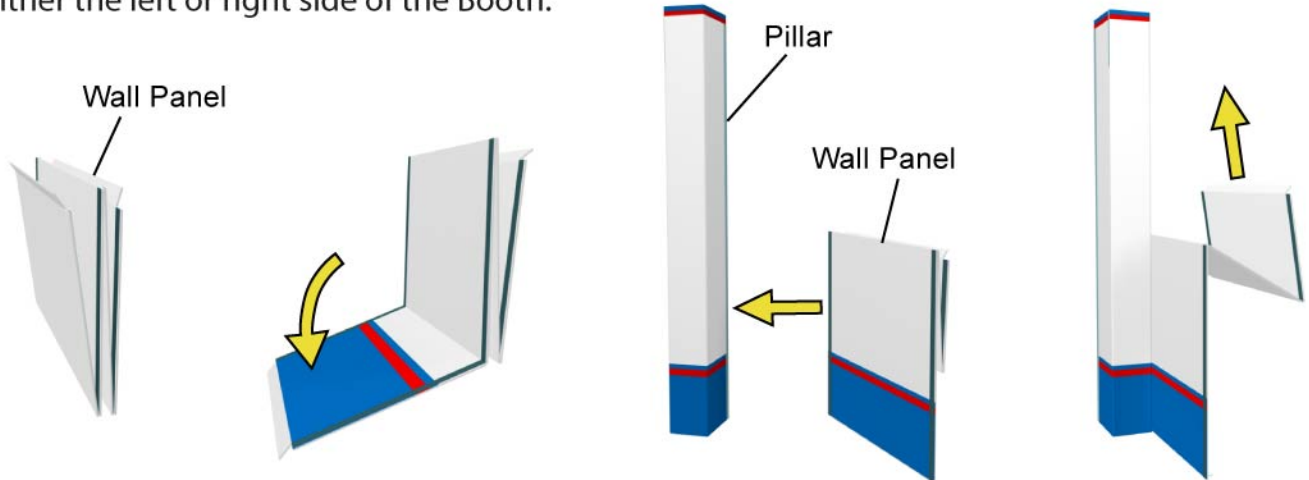
TOP VIEW

B) Place the assembled Pillars in their locations as numbered and indicated on the Floor Plan.

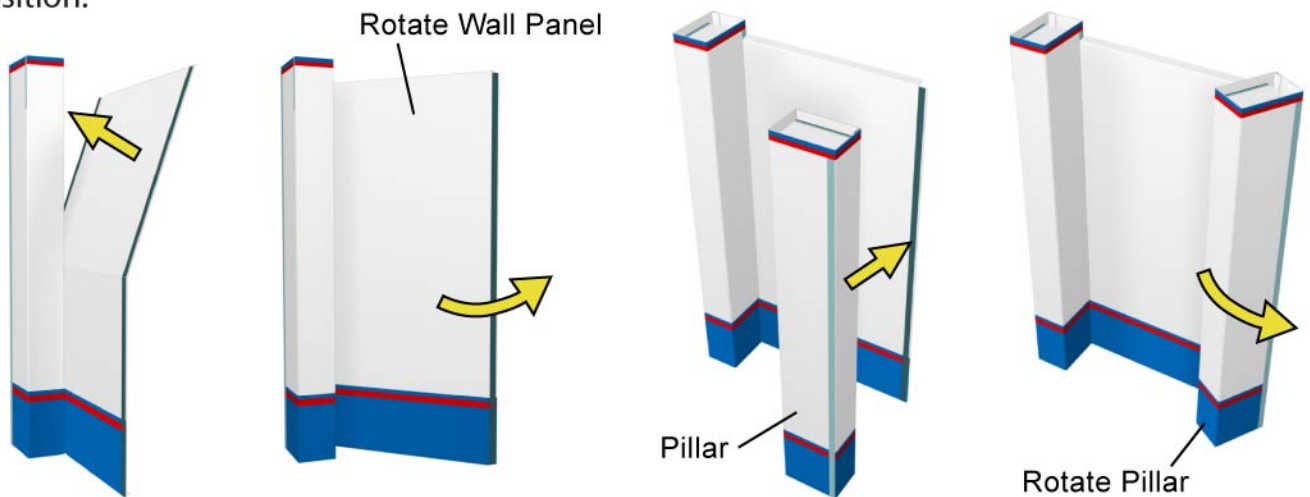


Attach Wall Panels to Pillars.

A) Unfold the bottom half of the Wall Panel, hold upright and attach to the side of the Pillar with Velcro. (Make sure that the Pillar and Wall Panel are **flat** on the floor surface when attaching and that the accent stripes are aligned with each other.) Begin assembly from either the left or right side of the Booth.



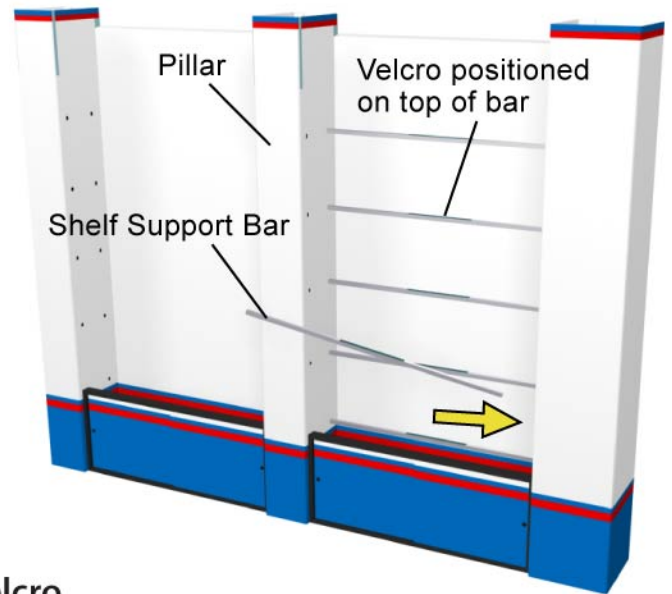
B) Unfold the top half of the Wall Panel and attach it to the top half of the Pillar matching the Velcro strips along the edges. Rotate the Wall Panel into position. Attach the next Pillar to the Wall Panel so that it is flat against the front face of the Wall Panel. Rotate the Pillar into position.



Install Shelf Support Bars.

A) Insert the shelf support bars into their designated openings in the Pillars with the **back bars** first, installing from the bottom upward. Then install the **front bars** from the bottom upward.

Make sure that the **Velcro on the bars is facing up** to attach the shelves and that the full portion of the **vinyl covering** is facing forward (if vinyl has been applied to the front of the shelf support bar).



Attach Shelves to Shelf Support Bars with Velcro.

A) Place the Shelves on top of the Shelf Support Bars and attach with Velcro.

