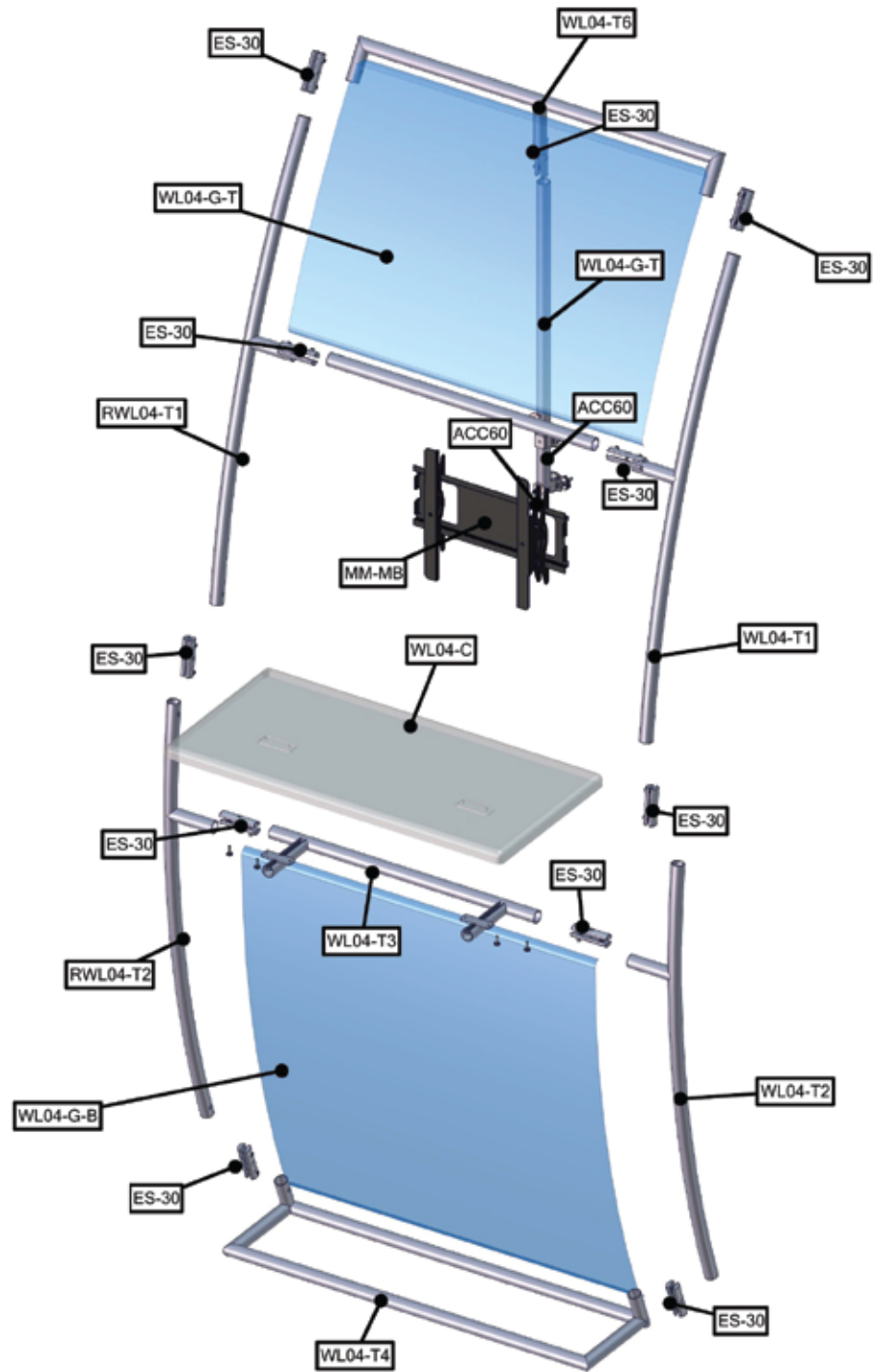


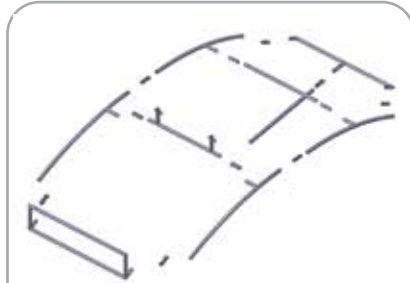
Parts Included		
Part Label	Qty	Part Code
30MM TUBE CLAMP	x2	ACC60
EXPANDING SPIGOT FOR 30MM TUBE	x11	ES-30
FABRIC GRAPHIC BOTTOM	x1	WL04-G-B
FABRIC GRAPHIC TOP	x1	WL04-G-T
MEDIUM MONITOR BRACKET	x1	MM-MB
881MM X 422MM X 30MM COUNTER	x1	WL04-C
30MM CURVED TUBE TOP RIGHT SIDE	x1	RWL04-T1
30MM CURVED TUBE RIGHT SIDE	x1	WRL04-T2
30MM CURVED TUBE LEFT SIDE	x1	WL04-T1
30MM CURVED TUBE LEFT SIDE	x1	WL04-T2
30MM SPREADER TUBE WITH COUNTER SUPPORTS	x1	WL04-T3
30MM BASE TUBE SECTION	x1	WL04-T4
30MM TOP END SECTION	x1	WL04-T6



STEP 1: ASSEMBLE FRAME

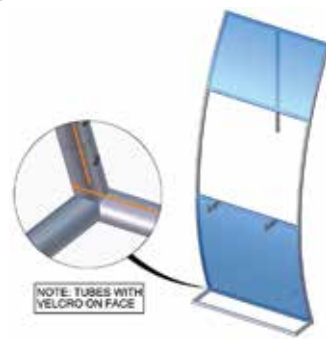


Slide jointer into tubing so hex screw sits in the hole on tubing. Tighten hex screw so the jointer separates & tightens against the inside of the tubing, locking the jointer and tubing together.



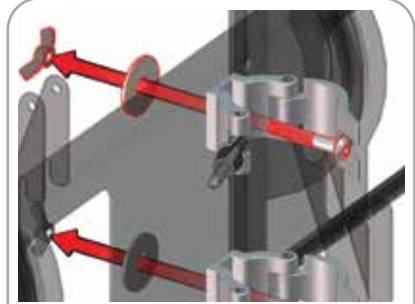
Connect bottom and top tubes following the labels, then connect side tubes. Note tubes with velcro on face.

STEP 2: ATTACH GRAPHICS



Apply top & bottom fabric graphics to velcro on front of tubing.

STEP 3: INSTALL MONITOR MOUNT

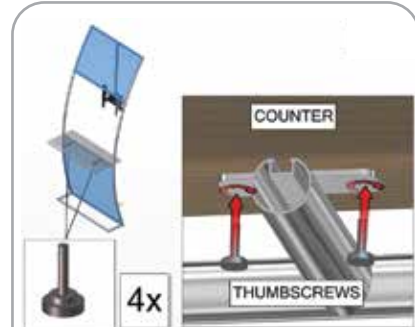


Attach ACC60 clamps to monitor mount with a bolt and washer, tighten with wingnut.

STEP 4: ATTACH COUNTER TO ACCENT FRAME

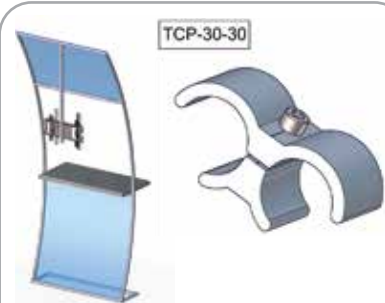


Secure ACC60 clamps around accent tube hardware.

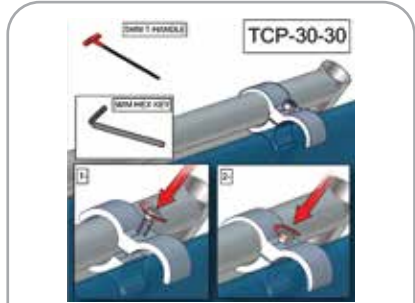


Use thumbscrews to attach counter to hardware.

STEP 5: ATTACH TO BACKWALL WITH CLAMPS



Position accent in front of backwall in desired location. Secure tube clamp at top of frame.



Using provided 5mm hex key, rotate bolt clockwise to secure accent to top of fabric backwall.



Unit is complete.